



MODEL G2527

1/3 HP ELECTRIC MOTOR

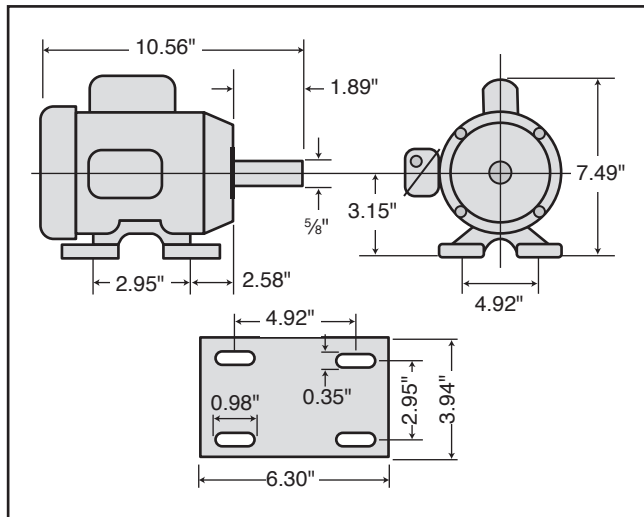
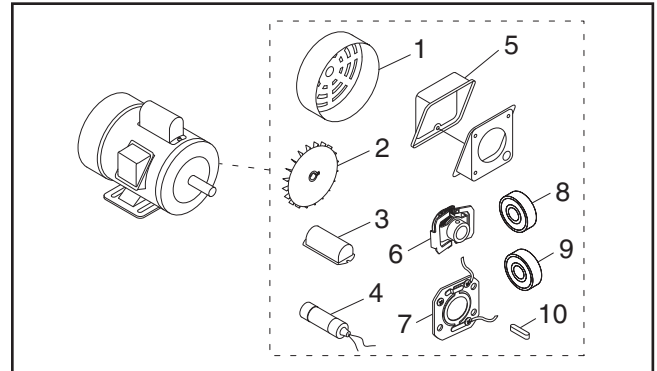
INSTRUCTIONS

For questions or help with this product contact Tech Support at (570) 546-9663 or techsupport@grizzly.com

Model G2527 Specifications

Power 1/3 HP
 Cycle..... 60 Hz
 Voltage..... 110V/220V
 Prewired 110V
 Amps 5.3A/2.7A
 Speed 1725 RPM
 Phase Single-Phase
 Class..... E

Replaceable Parts



REF	PART #	DESCRIPTION
1	P2527001	MOTOR FAN COVER
2	P2527002	MOTOR FAN
3	P2527003	S CAPACITOR COVER
4	P2527004	S CAPACITOR 200M 125V 1-3/8 X 2-3/8
5	P2527005	JUNCTION BOX
6	P2527006	CENTRIFUGAL SWITCH 1/2-1725
7	P2527007	CONTACT PLATE
8	P2527008	BALL BEARING 6202ZZ
9	P2527009	BALL BEARING 6203ZZ
10	P2527010	KEY 3/16 X 3/16 X 1-1/4

Making Wire Connections

If you are unsure how to attach wires to terminals, DO NOT continue. Contact an electrician for assistance. Connecting wires improperly may cause them to come loose or contact other wires, which can cause electrocution, fire, or a short.

⚠ WARNING

Electrocution or fire could result if this motor is not grounded correctly or if your wire connections do not comply with local and state codes. Ensure compliance by checking with an electrician!

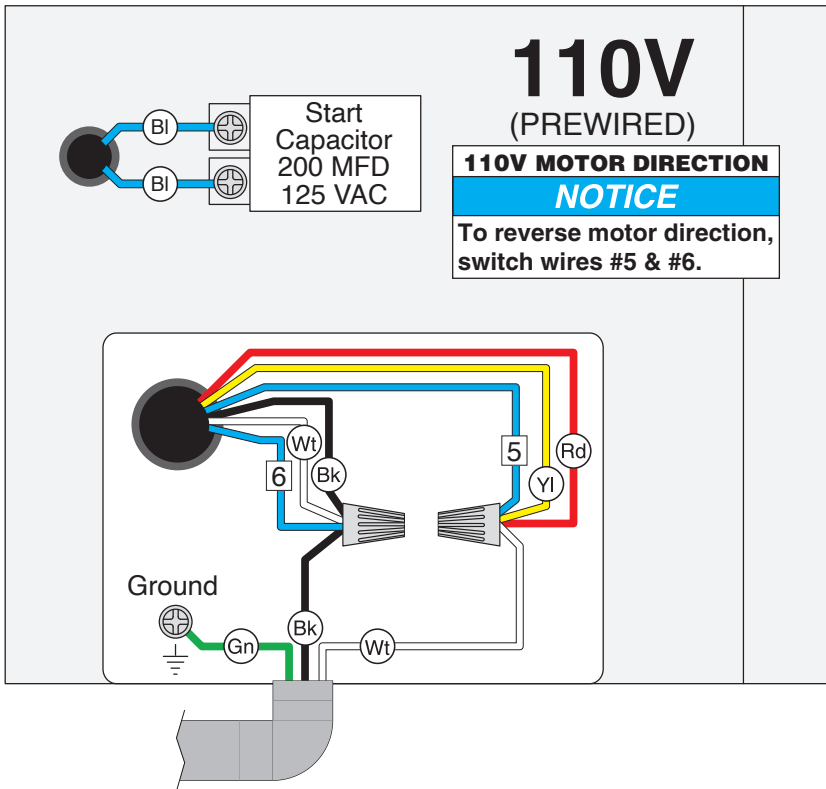
⚠ WARNING

Disconnect power when replacing motor. Failure to do this may result in serious personal injury.

COPYRIGHT © DECEMBER, 2007 BY GRIZZLY INDUSTRIAL, INC., REVISED DECEMBER, 2024 (LW)
 NO PORTION OF THIS INSTRUCTION SHEET MAY BE REPRODUCED IN ANY SHAPE
 OR FORM WITHOUT THE WRITTEN APPROVAL OF GRIZZLY INDUSTRIAL, INC.
 (FOR MODELS MFD. SINCE 12/24) #JB10228 PRINTED IN TAIWAN V2.12.24

Keep for Future Reference

G2527 Wiring Diagram



COLOR KEY	
BLACK	Bk
WHITE	Wt
GREEN	Gn
RED	Rd
YELLOW	Yl
BLUE	Bl

NOTICE

The motor wiring shown here is current at the time of printing, but it may not match your motor. Always use the wiring diagram inside the motor junction box.

WARNING!

SHOCK HAZARD!
Disconnect power before working on wiring.

