



# NURSERY PLATFORM TRUCK w/SIDES

## MODEL H3030

### INSTRUCTION SHEET

### Introduction

The Model H3030 Nursery Platform Truck (**Figure 1**) features a 440 pound weight capacity and swivel wheels for high maneuverability.

### Inventory (Figure 2)

<b>A.</b>	Base .....	1
<b>B.</b>	Swivel Wheels .....	2
<b>C.</b>	Handle .....	1
<b>D.</b>	Short Bars .....	2
<b>E.</b>	Fixed Wheels.....	2
<b>F.</b>	Long Bars .....	2
<b>G.</b>	Bolt Bag.....	1
	—Hex Bolts M10-1.5 x 25 .....	8
	—Flat Washers 10mm .....	8
	—Lock Washers 10mm.....	8
	—Hex Bolt M8-1.25 x 90 .....	1
	—Flat Washer 8mm .....	1
	—Lock Washer 8mm.....	1
	—Flat Washers 16mm .....	2
	—Cotter Pins 3 x 35mm .....	2

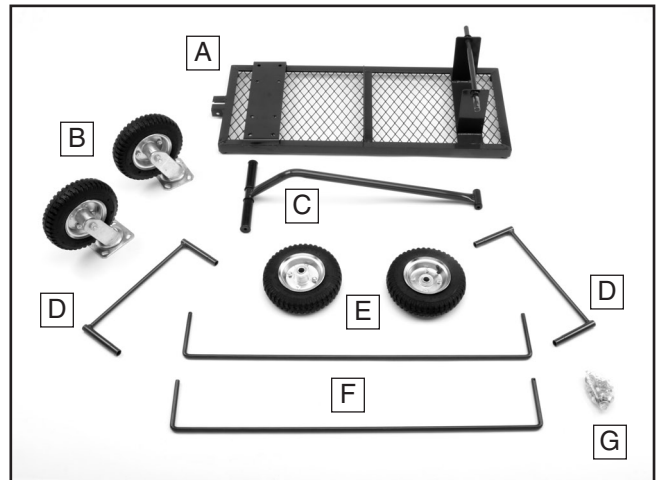
### Assembly

1. With the base resting upside down, place the swivel wheels over the mounting holes and attach them with 10mm hex bolts, flat washers and lock washers.
2. Slide the fixed wheels and the 16mm flat washers onto the axles at the rear of the base, and secure them with the two cotter pins.
3. Turn the base assembly rightside up, mount the handle on the steering bracket and secure it with the 8mm hex bolt, flat washer, and lock washer.
4. Insert the long and short bars into the sleeves located on the base.

*If you need additional help with this assembly, call our service department at: (570) 546-9663.*



**Figure 1.** Model H3030.



**Figure 2.** Inventory parts.

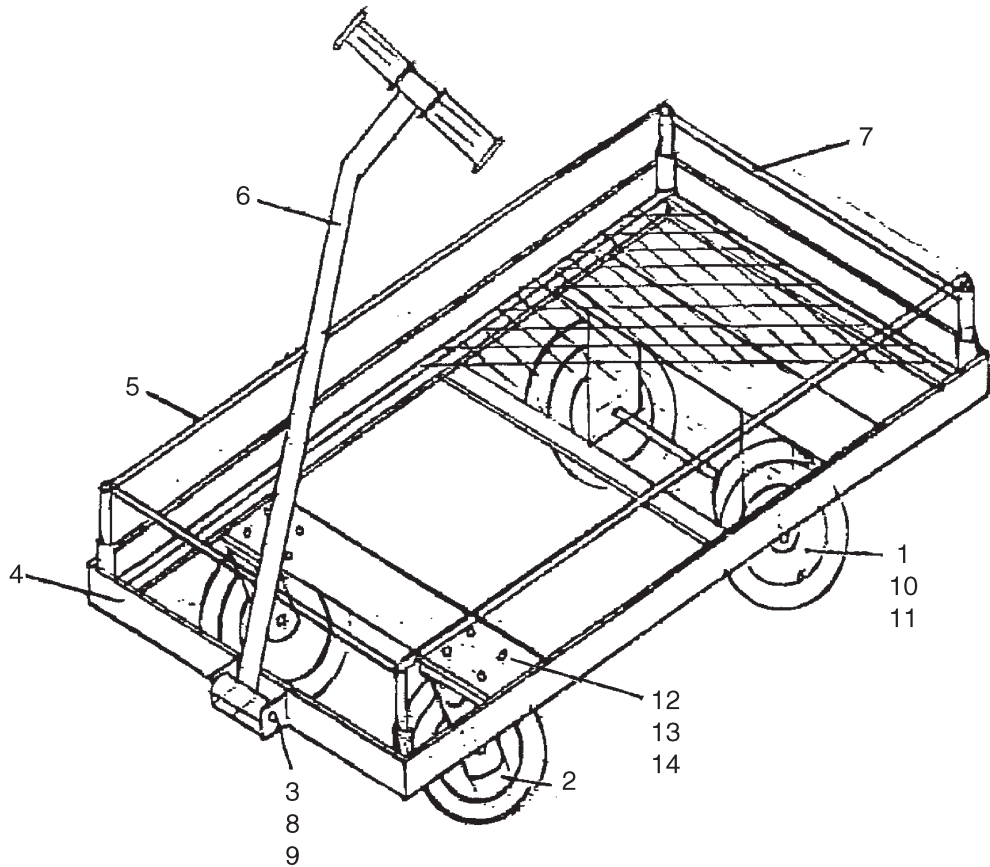
## **! WARNING**

**Children may climb into plastic bags and suffocate. Keep all plastic bags included in packaging out of the reach of children.**

## **! CAUTION**

**Adult supervision is always required while this platform truck is being used by children.**

# H3030 Parts Breakdown and List



1	PH3030001	FIXED WHEEL 2.5 X 4
2	PH3030002	SWIVEL WHEEL 2.5 X 4
3	PB124M	HEX BOLT M8-1.25 X 90
4	PH3030004	BASE
5	PH3030005	LONG BAR
6	PH3030006	HANDLE
7	PH3030007	SHORT BAR

8	PW01M	FLAT WASHER 8MM
9	PLW04M	LOCK WASHER 8MM
10	PH3030010	COTTER PIN 3 X 35MM
11	PW08M	FLAT WASHER 16MM
12	PLW06M	LOCK WASHER 10MM
13	PW04M	FLAT WASHER 10MM
14	PB32M	HEX BOLT M10-1.5 X 25

COPYRIGHT © JUNE, 2004 BY GRIZZLY INDUSTRIAL, INC.  
**WARNING: NO PORTION OF THIS MANUAL MAY BE REPRODUCED IN ANY SHAPE  
OR FORM WITHOUT THE WRITTEN APPROVAL OF GRIZZLY INDUSTRIAL, INC.**  
#TR6380 PRINTED IN CHINA