

# *Panther*™

*panthercarts.com*

## NESTING NURSERY CART MODEL H3031 INSTRUCTION SHEET



COPYRIGHT © JUNE, 2004 BY GRIZZLY INDUSTRIAL, INC.  
WARNING: NO PORTION OF THIS MANUAL MAY BE REPRODUCED IN ANY SHAPE  
OR FORM WITHOUT THE WRITTEN APPROVAL OF GRIZZLY INDUSTRIAL, INC.  
#TJ6233 PRINTED IN CHINA

# PARTS INVENTORY

The Model H3031 was carefully packed when it left our warehouse. If you discover the nursery cart is damaged after you have signed for delivery, *please immediately call Customer Service at (570) 546-9663 for advice.*

Save the containers and all packing materials for possible inspection by the carrier or its agent. *Otherwise, filing a freight claim can be difficult.*

When you are completely satisfied with the condition of your shipment, you should inventory the contents.

## Figure 1

<b>A.</b>	Base & Bottom Rack.....	1
<b>B.</b>	Top Rack.....	1
<b>C.</b>	Handle.....	1
<b>D.</b>	Rear Wheels.....	2
<b>E.</b>	Front Wheels.....	2
<b>F.</b>	Bolt Bag.....	1
	—Bolts M10-1.5 x 25 .....	16
	—Bolts M10-1.5 x 20 .....	4
	—Lock Washers 10MM.....	16
	—Flat Washers 10MM .....	16
	—Hex Nuts 10MM.....	16

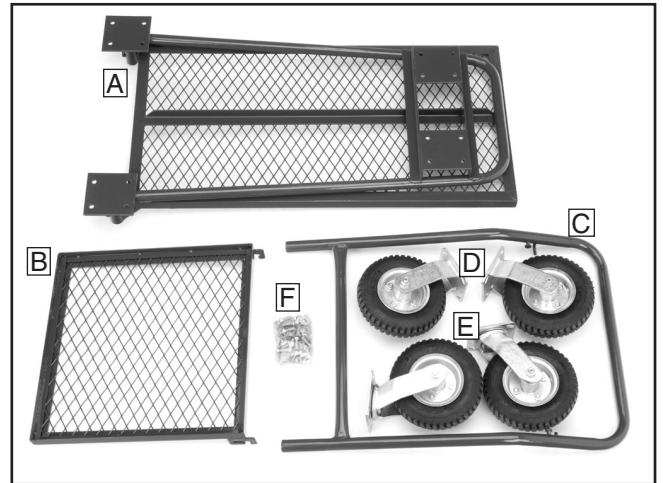


Figure 1. Contents.

## **! WARNING**

Children may climb into plastic bags and suffocate. Keep all plastic bags included in packaging out of the reach of children.

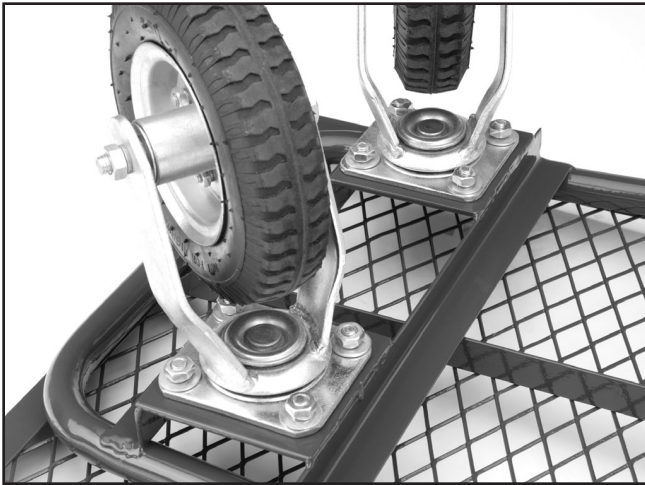
## **! CAUTION**

Adult supervision is always required while this wagon is being used by children.

# ASSEMBLY INSTRUCTIONS

## ATTACHING CASTERS

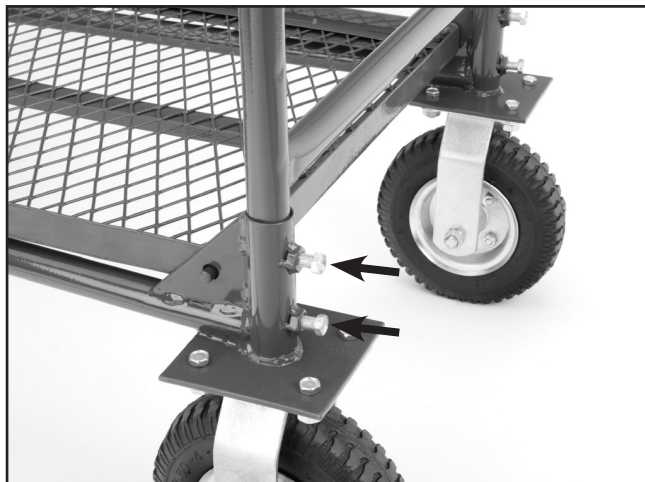
1. With the bed upside down, place the swivel wheel mounting brackets on the front mounting plates of the nursery cart
2. Align the holes in both brackets and attach wheels with M10-1.5 X 25 bolts, washers, lock washers, and nuts (**Figure 2**).
3. Repeat **Step 2** to attach the fixed wheels to the rear plates.



**Figure 2.** Casters attached to base.

## MOUNTING HANDLE

1. With the cart right side up, insert the base of the handle into the sockets at the back of the cart with the top of the handle angled out.
3. Insert M10-1.5 x 20 bolts into the welded hex nuts and tighten (**Figure 3**).



**Figure 3.** Handle bolted into place.

## MOUNTING TRAY

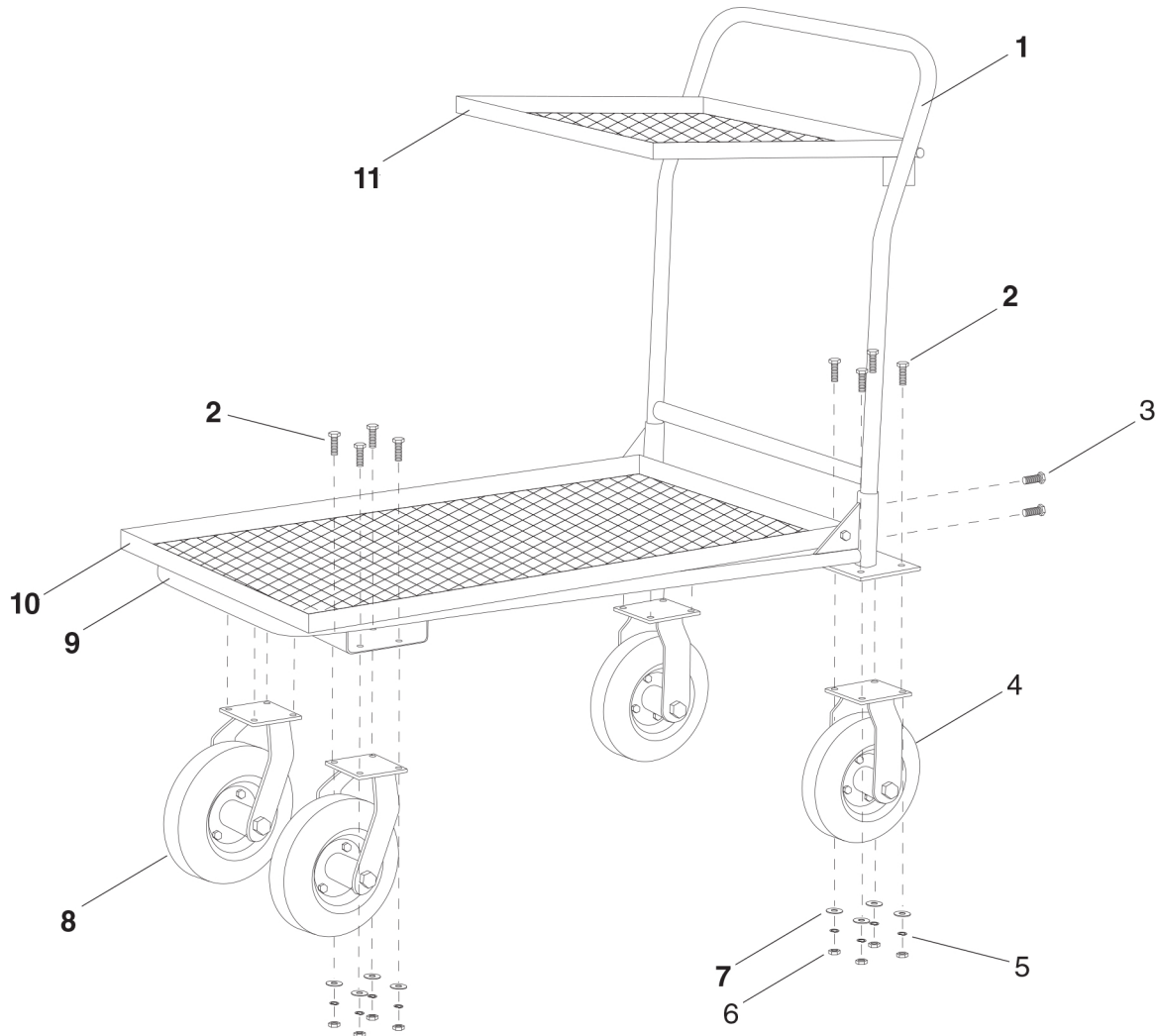
1. With tray angled down, hook the tray to the shelf supports inside the handle.
2. Tilt the tray up and slide it back onto the outer shelf supports and lower it (**Figure 4**).



**Figure 4.** Tray mounted to handle.

*If you need additional help with this procedure, call our service department at: (570) 546-9663.*

# H3031 Parts Breakdown and List



REF	PART#	DESCRIPTION
1	PH3031001	HANDLE
2	PB32M	HEX BOLT M10-1.5 X 25
3	PB74M	HEX BOLT M10-1.5 X 20
4	PH3031004	REAR WHEEL
5	PLW06M	LOCK WASHER 10MM
6	PN02M	HEX NUT M10-1.5

REF	PART#	DESCRIPTION
7	PW04M	FLAT WASHER 10MM
8	PH3031008	FRONT WHEEL
9	PH3031009	FRAME
10	PH3031010	BED
11	PH3031011	TOP SHELF