



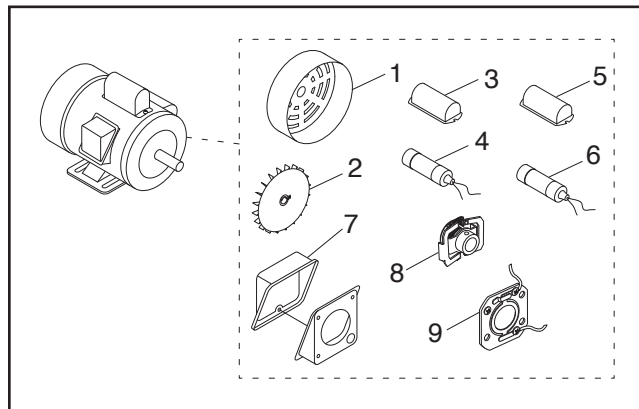

MODEL H5374 1/2 HP ELECTRIC MOTOR INSTRUCTIONS

For questions or help with this product contact Tech Support at (570) 546-9663 or techsupport@grizzly.com

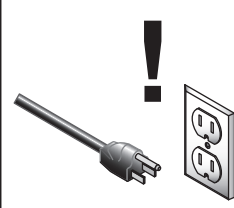
Model H5374 Specifications

Power 1/2 HP
 Cycle..... 60 Hz
 Voltage..... 110/220V
 Prewired Voltage 110V
 Amps 6/3A
 RPM..... 1725 RPM
 Phase Single-Phase
 Class..... B

Replaceable Parts

! WARNING
 Electrocutation or fire could result if this motor is not grounded correctly or if your wire connections do not comply with local and state codes. Ensure compliance by checking with a qualified electrician!



! WARNING
 Disconnect power when replacing motor. Failure to do this may result in serious personal injury.

REF PART #	DESCRIPTION
1	PH5374001 MOTOR FAN COVER
2	PH5374002 MOTOR FAN
3	PH5374003 S CAPACITOR COVER
4	PH5377004 S CAPACITOR 200M 125V 1-1/2 X 2-3/8
5	PH5374005 R CAPACITOR COVER
6	PH5374006 R CAPACITOR 30M 250V 1-3/8 X 2-3/8
7	PH5374007 JUNCTION BOX
8	PH5374008 CENTRIFUGAL SWITCH
9	PH5374009 CONTACT PLATE

Making Wire Connections

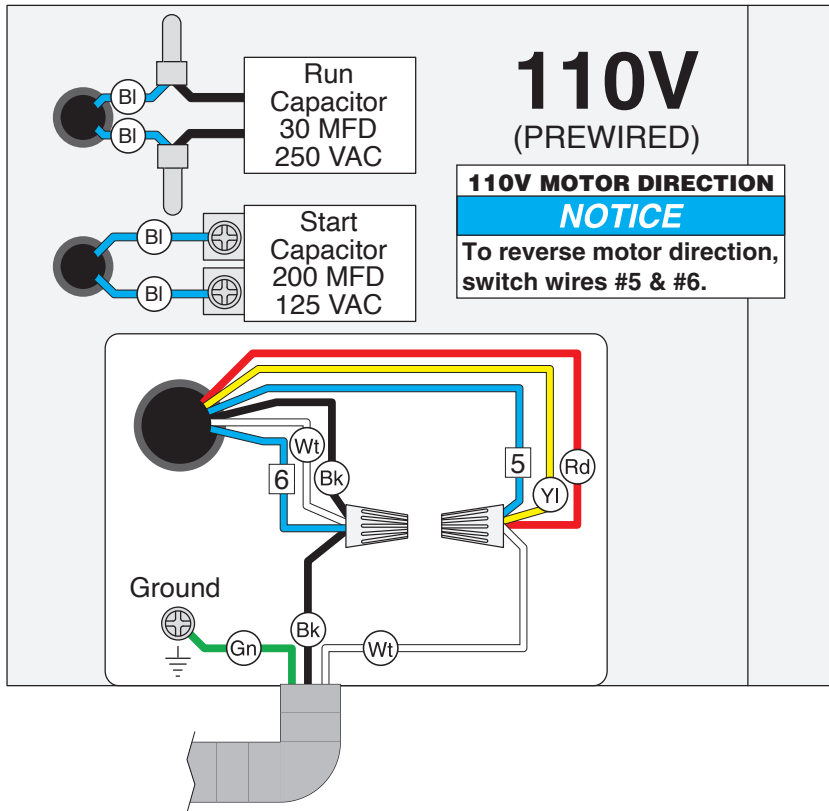
If you are unsure how to attach wires to terminals, DO NOT continue. Contact an electrician for assistance. Connecting wires improperly may cause them to come loose or contact other wires, which can cause electrocution, fire, or a short.

COPYRIGHT © DECEMBER, 2007 BY GRIZZLY INDUSTRIAL, INC., REVISED OCTOBER, 2024 (LW)
 NO PORTION OF THIS INSTRUCTION SHEET MAY BE REPRODUCED IN ANY SHAPE
 OR FORM WITHOUT THE WRITTEN APPROVAL OF GRIZZLY INDUSTRIAL, INC.
 (FOR MODELS MFD. SINCE 08/24) #JB10225 PRINTED IN TAIWAN

V2.10.24

Keep for Future Reference

H5374 Wiring Diagram



NOTICE

The motor wiring shown here is current at the time of printing, but it may not match your motor. Always use the wiring diagram inside the motor junction box.

