



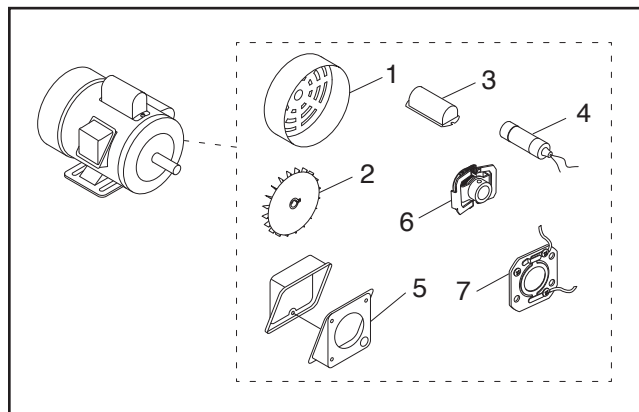
MODEL H5375 1/2 HP ELECTRIC MOTOR INSTRUCTIONS


For questions or help with this product contact Tech Support at (570) 546-9663 or techsupport@grizzly.com

Model H5375 Specifications

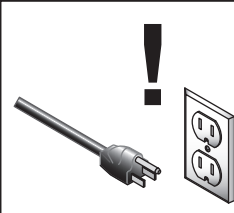
Power 1/2 HP
 Cycle..... 60 Hz
 Voltage 110V/220V
 Prewired Voltage 110V
 Amps 10A/5A
 Speed 3450 RPM
 Phase Single-Phase
 Class..... B

Replaceable Parts





⚠ WARNING
 Electrocutation or fire could result if this motor is not grounded correctly or if your wire connections do not comply with local and state codes. Ensure compliance by checking with a qualified electrician!



⚠ WARNING
 Disconnect power when replacing motor. Failure to do this may result in serious personal injury.

REF PART #	DESCRIPTION
1	PH5375001 MOTOR FAN COVER
2	PH5375002 MOTOR FAN
3	PH5375003 S CAPACITOR COVER
4	PH5375004 S CAPACITOR 200M 125V 1-1/2 X 2-3/8
5	PH5375005 JUNCTION BOX
6	PH5375006 CENTRIFUGAL SWITCH
7	PH5375007 CONTACT PLATE

Making Wire Connections

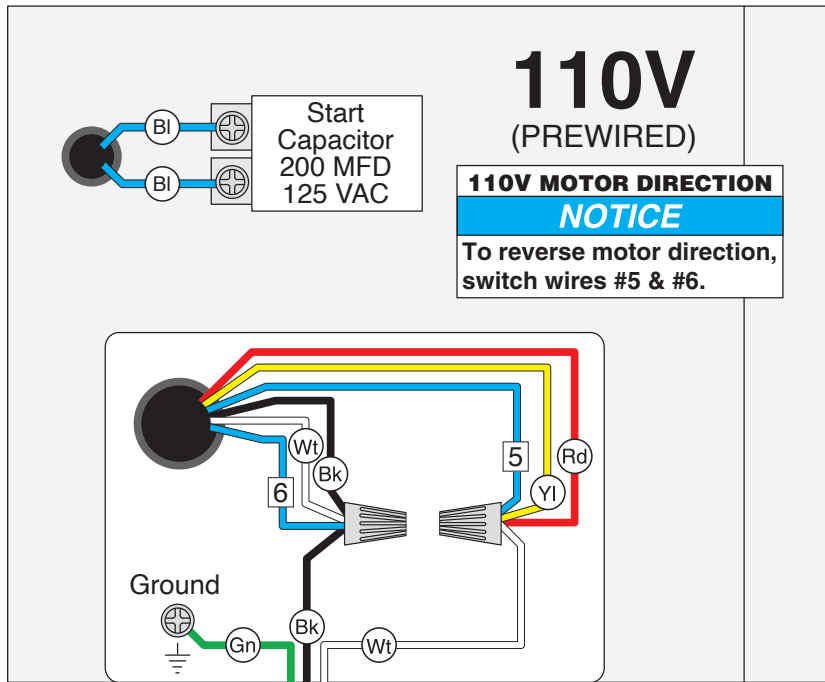
If you are unsure how to attach wires to terminals, DO NOT continue. Contact an electrician for assistance. Connecting wires improperly may cause them to come loose or contact other wires, which can cause electrocution, fire, or a short.

COPYRIGHT © DECEMBER, 2007 BY GRIZZLY INDUSTRIAL, INC., REVISED NOVEMBER, 2024 (LW)
 NO PORTION OF THIS INSTRUCTION SHEET MAY BE REPRODUCED IN ANY SHAPE
 OR FORM WITHOUT THE WRITTEN APPROVAL OF GRIZZLY INDUSTRIAL, INC.
 (FOR MODELS MFD. SINCE 01/25) #JB10231 PRINTED IN TAIWAN

V2.11.24

Keep for Future Reference

H5375 Wiring Diagram



COLOR KEY

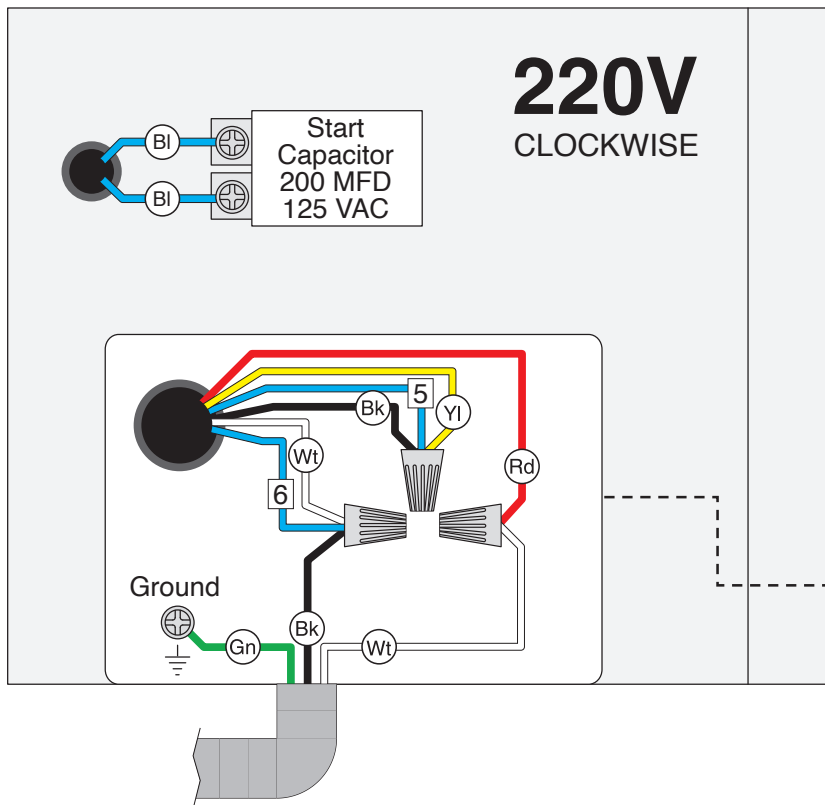
BLACK	
WHITE	
GREEN	
RED	
YELLOW	
BLUE	

NOTICE

The motor wiring shown here is current at the time of printing, but it may not match your motor. Always use the wiring diagram inside the motor junction box.

WARNING!

SHOCK HAZARD!
Disconnect power before working on wiring.



220V
COUNTERCLOCKWISE

