

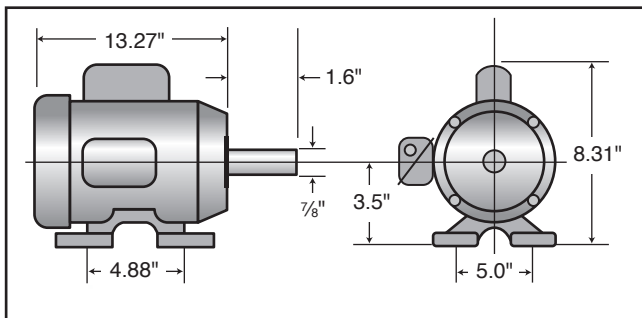



MODEL H5388 3 HP ELECTRIC MOTOR INSTRUCTIONS

For questions or help with this product contact Tech Support at (570) 546-9663 or techsupport@grizzly.com

Model H5388 Specifications

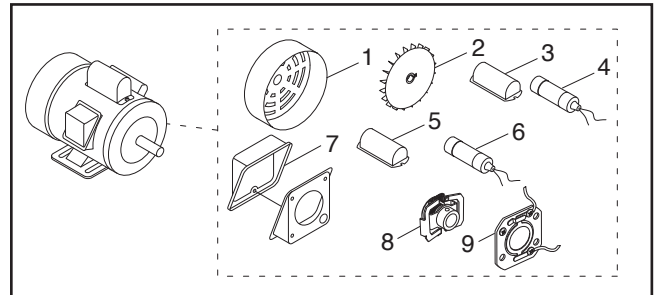
Power 3 HP
 Cycle..... 60 Hz
 Voltage 220V
 Amps 13.5A
 Speed 3450 RPM
 Phase Single-Phase
 Class..... B





⚠ WARNING
 Electrocutation or fire could result if this motor is not grounded correctly or if your wire connections do not comply with local and state codes. Ensure compliance by checking with an electrician!

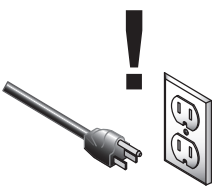
Replaceable Parts



REF	PART #	DESCRIPTION
1	PH5388001	MOTOR FAN COVER
2	PH5388002	MOTOR FAN
3	PH5388003	S CAPACITOR COVER
4	PH5388004	S CAPACITOR 600M 125V 1-7/8 X 3-3/8
5	PH5388005	R CAPACITOR COVER
6	PH5388006	R CAPACITOR 30M 250V 1-1/2 X 2-3/8
7	PH5388007	JUNCTION BOX
8	PH5388008	CENTRIFUGAL SWITCH
9	PH5388009	CONTACT PLATE

Making Wire Connections

If you are unsure how to attach wires to terminals, DO NOT continue. Contact an electrician for assistance. Connecting wires improperly may cause them to come loose or contact other wires, which can cause electrocution, fire, or a short.



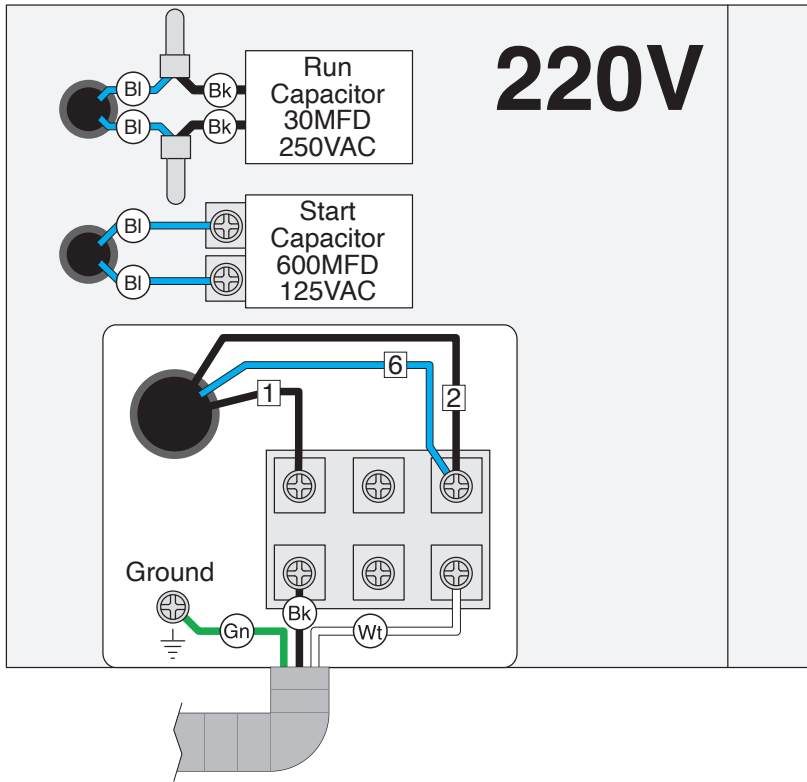
⚠ WARNING
 Disconnect power when replacing motor. Failure to do this may result in serious personal injury.

COPYRIGHT © DECEMBER, 2007 BY GRIZZLY INDUSTRIAL, INC., REVISED SEPTEMBER, 2024 (LW)
 NO PORTION OF THIS INSTRUCTION SHEET MAY BE REPRODUCED IN ANY SHAPE
 OR FORM WITHOUT THE WRITTEN APPROVAL OF GRIZZLY INDUSTRIAL, INC.
 (FOR MODELS MFD. SINCE 08/24) #JB10236 PRINTED IN TAIWAN

V2.09.24

Keep for Future Reference

H5388 Wiring Diagram

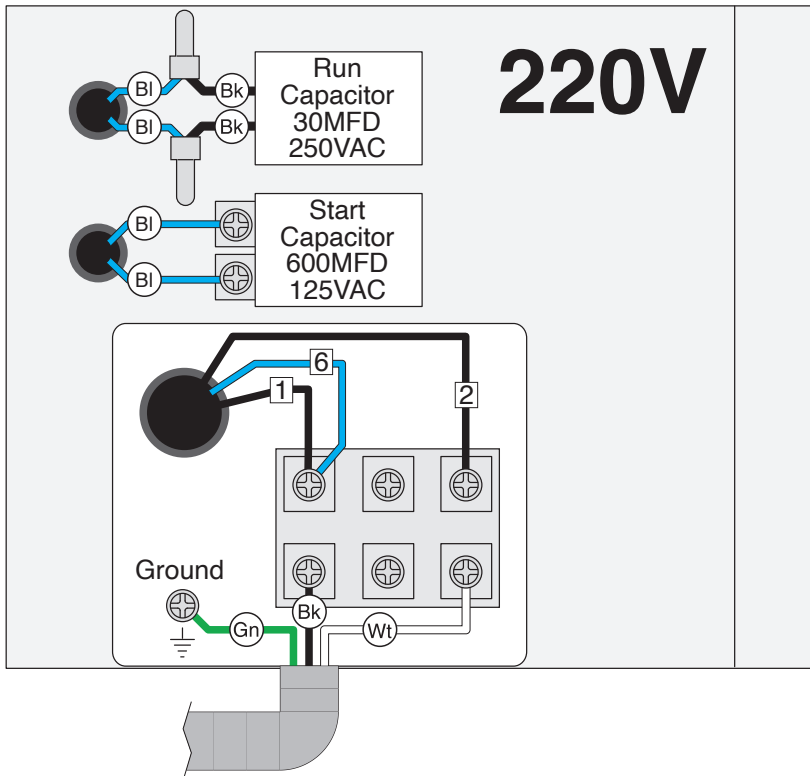


COLOR KEY	
BLACK	— Bk —
WHITE	— Wt —
GREEN	— Gn —
BLUE	— Bl —

NOTICE

The motor wiring shown here is current at the time of printing, but it may not match your motor. Always use the wiring diagram inside the motor junction box.

**Clockwise
Rotation (PREWIRED)**



WARNING!

SHOCK HAZARD!
Disconnect power before working on wiring.

**Counterclockwise
Rotation**

