

# READ THIS FIRST



Model H7499/H7508/H7509

**\*\*\*IMPORTANT UPDATE\*\*\***

For Machines Mfd. Since Jan, 2015  
and Owner's Manual Revised April, 2012

For questions or help with this product contact Tech Support at (570) 546-9663 or [techsupport@grizzly.com](mailto:techsupport@grizzly.com)

The following changes were recently made to this machine since the owner's manual was printed:

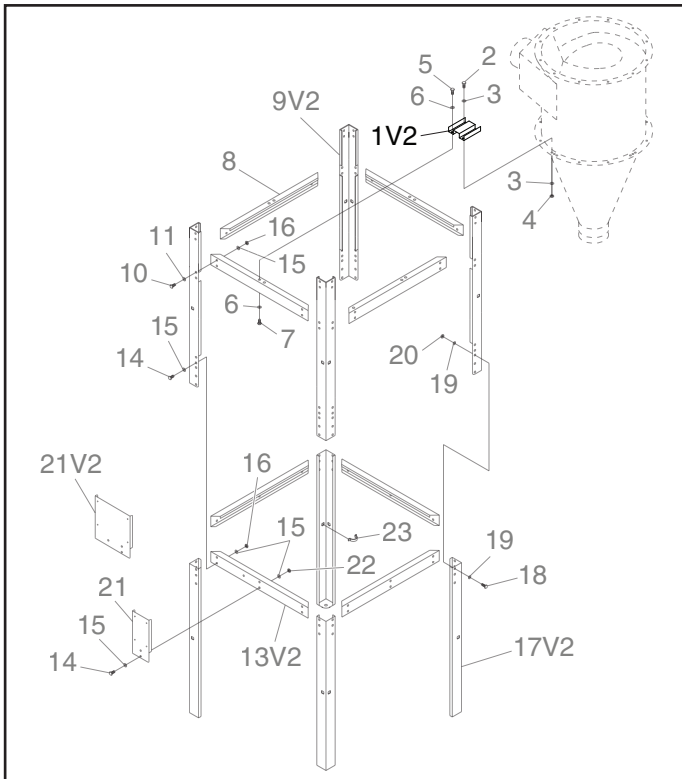
- Changed shape of mounting bracket (1V2).

Aside from this information, all other content in the owner's manual applies and **MUST** be read and understood for your own safety. **IMPORTANT: Keep this update with the owner's manual for future reference.**

For questions or help, contact our Tech Support at (570) 546-9663 or [techsupport@grizzly.com](mailto:techsupport@grizzly.com).

## Revised Stand Parts

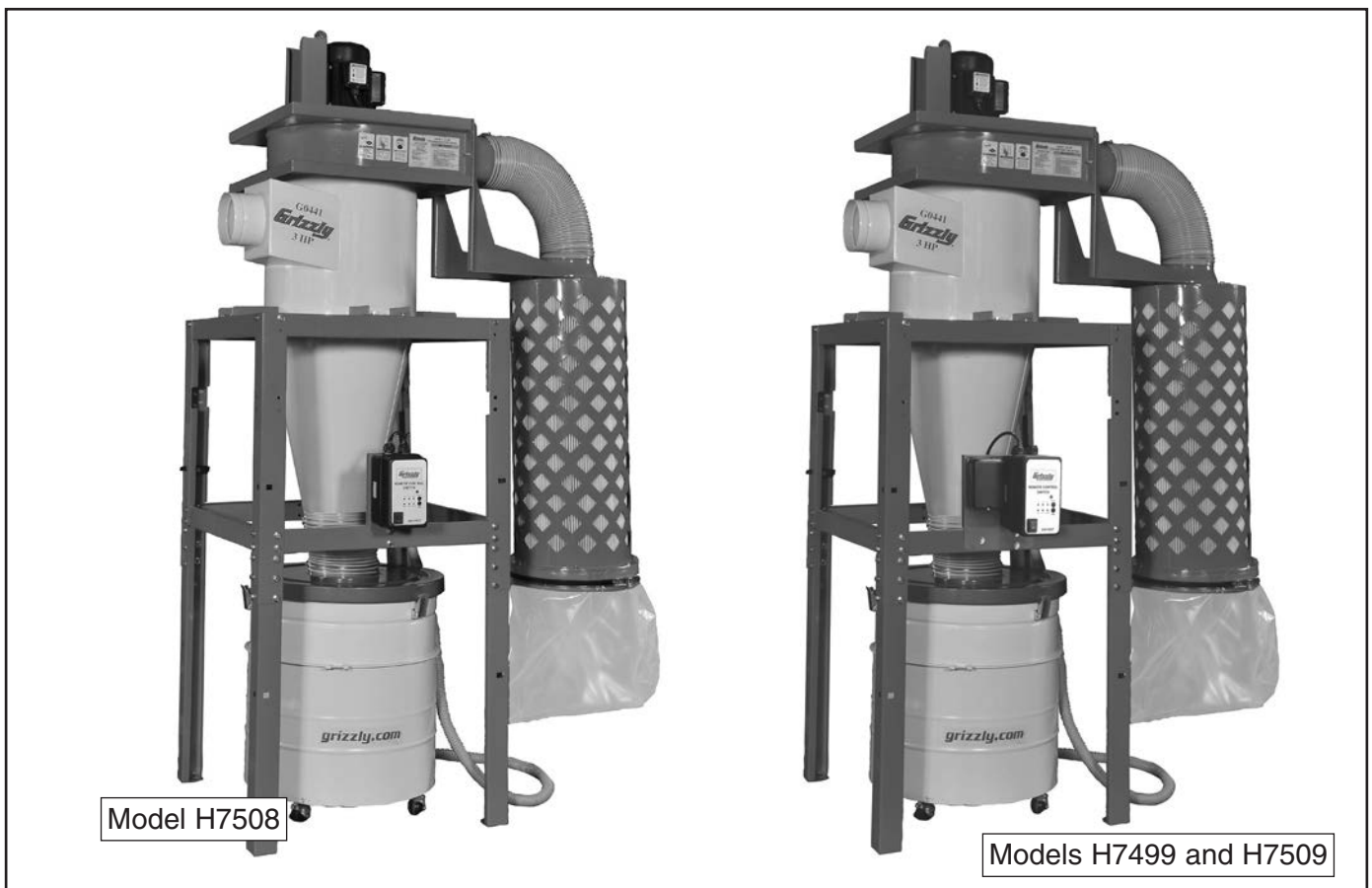
REF	PART #	DESCRIPTION
1V2	PH7499001V2	MOUNTING BRACKET (H7499) V2.01.15
1V2	PH7508001V2	MOUNTING BRACKET (H7508) V2.01.15
1V2	PH7509001V2	MOUNTING BRACKET (H7509) V2.01.15



COPYRIGHT © APRIL, 2015 BY GRIZZLY INDUSTRIAL, INC.  
**WARNING: NO PORTION OF THIS MANUAL MAY BE REPRODUCED IN ANY SHAPE OR FORM WITHOUT THE WRITTEN APPROVAL OF GRIZZLY INDUSTRIAL, INC.**  
 #WK17377 PRINTED IN TAIWAN

# *Grizzly* **Industrial, Inc.**®

## **CYCLONE STAND** **MODEL H7499/H7508/H7509** **INSTRUCTION MANUAL** *(For models manufactured since 03/12)*



COPYRIGHT © APRIL, 2005 BY GRIZZLY INDUSTRIAL, INC., REVISED APRIL, 2012 (KN)

**WARNING: NO PORTION OF THIS MANUAL MAY BE REPRODUCED IN ANY SHAPE  
OR FORM WITHOUT THE WRITTEN APPROVAL OF GRIZZLY INDUSTRIAL, INC.**

#TR7082 PRINTED IN TAIWAN

# SETUP

## Unpacking



The cyclone stand was carefully packaged for safe transportation. Inspect the stand as you unpack it. If you discover any damage, *please call us immediately at (570) 546-9663 for advice.*

Save the containers and all packing materials for possible inspection by the carrier or its agent. *Otherwise, filing a freight claim can be difficult.*

When you are completely satisfied with the condition of your shipment, inventory the contents.

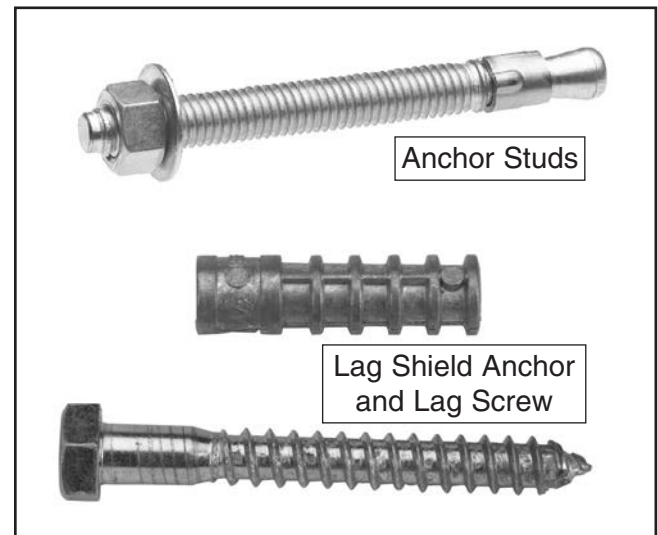


## Floor Mounting

If your dust collector will be hardwired to the power supply, you must secure your dust collector stand to the floor. Because floor materials may vary floor mounting hardware is not included. For dust collectors that are not hardwired, using machine mounts help distribute the weight of the machine and reduce the strain on the floor. Both options are described below. Whichever option used, we recommend leveling your machine with a precision level.

### Bolting to Concrete Floors

Lag shield anchors with lag screw (**Figure 1**) and anchor studs (**Figure 1**) are two popular methods for anchoring an object to a concrete floor. We suggest you research the many options and methods for mounting your machine and choose the best that fits your specific application.



**Figure 1.** Typical fasteners for mounting to concrete floors.

### **NOTICE**

Anchor studs are stronger and more permanent alternatives to lag shield anchors; however, they will stick out of the floor, which may cause a tripping hazard if you decide to move your machine.



## Bolting to Wood Floors

Lag screws and flat washers are a popular method for anchoring a machine to a wood floor. We strongly recommend positioning your machine feet over floor joist when possible to ensure a firm connection. Research the many options and methods for mounting your machine and choose the best that fits your specific application.

### **NOTICE**

**If your machine is hardwired to the power supply, electrical codes may require you to secure the stand to the floor. Consult with your electrician to ensure compliance with local codes.**

## Using Machine Mounts

Machine mounts, such as shown in **Figure 2**, provide the advantage of fast leveling and vibration reduction.

### **G7160—Machine Mounts M12-1.75 x 72**

For heavy machine stabilization, these mounts feature fast leveling and vibration reduction. Large rubber foot pads distribute weight and long mounting studs provide a wide range of leveling adjustment.

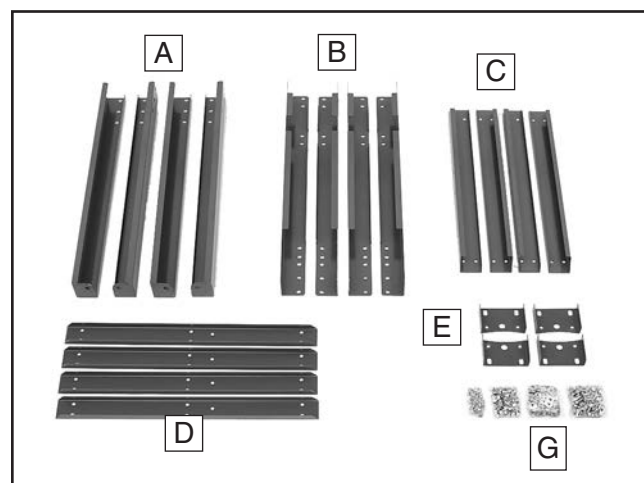


**Figure 2.** G7160 Machine Mount M12-1.75 x 72.

# Inventory

<b>Stand Box Contents (Figure 3):</b>		<b>Qty</b>
<b>A.</b>	Lower Stand Legs .....	4
<b>B.</b>	Upper Stand Legs .....	4
<b>C.</b>	Upper Stand Braces.....	4
<b>D.</b>	Lower Stand Braces.....	4
<b>E.</b>	Collector Mounting Brackets .....	4
<b>F.</b>	Switch Mounting Bracket (Not Shown).....	1
<b>G.</b>	Hardware Bags (H7499 and H7509)	
	—Hex Bolts $\frac{3}{8}$ "-16 x $\frac{3}{4}$ " .....	67
	—Lock Nuts $\frac{3}{8}$ "-16.....	64
	—Flat Washers $\frac{3}{8}$ " .....	134
	—Hex Nuts $\frac{3}{8}$ "-16.....	3
	—Hex Bolts $\frac{5}{16}$ "-18 x 1" .....	8
	—Lock Nuts $\frac{5}{16}$ "-16.....	8
	—Flat Washers $\frac{5}{16}$ " .....	16
	—Vacuum Hose Clips .....	2
<b>G.</b>	Hardware Bags (H7508)	
	—Hex Bolts $\frac{3}{8}$ "-16 x $\frac{3}{4}$ " .....	66
	—Lock Nuts $\frac{3}{8}$ "-16.....	64
	—Flat Washers $\frac{3}{8}$ " .....	132
	—Hex Nuts $\frac{3}{8}$ "-16.....	2
	—Hex Bolts $\frac{5}{16}$ "-18 x 1" .....	8
	—Lock Nuts $\frac{5}{16}$ "-16.....	8
	—Flat Washers $\frac{5}{16}$ " .....	16
	—Vacuum Hose Clips .....	2

In the event that any nonproprietary parts are missing (e.g. a nut or a washer), we would be glad to replace them, or for the sake of expediency, replacements can be obtained at your local hardware store.



**Figure 3.** Contents of stand box.



# Assembly

Tools Needed:	Qty
Wrenches or Sockets $\frac{9}{16}$ ".....	2
Wrenches or Sockets $\frac{1}{2}$ ".....	2
Square.....	1
Strong Helpers for Lifting .....	2 or 3

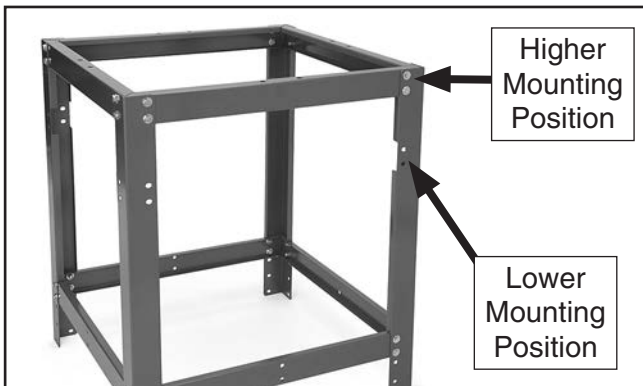
## To assemble the dust collector:

1. Connect the upper stand legs with the lower braces, using (16)  $\frac{3}{8}$ "-16 x  $\frac{3}{4}$ " hex bolts, (32)  $\frac{3}{8}$ " flat washers, and (16)  $\frac{3}{8}$ "-16 lock nuts (see **Figure 4**)—only finger tighten for now.



**Figure 4.** Initial assembly of upper stand legs connected to lower stand braces.

2. Attach the upper stand braces to the assembly, using (16)  $\frac{3}{8}$ "-16 x  $\frac{3}{4}$ " hex bolts, (32)  $\frac{3}{8}$ " flat washers, and (16)  $\frac{3}{8}$ "-16 lock nuts (see **Figure 5**). **Note for G0440/G0443:** Attach braces to the lower mounting position unless you have the 55 gallon extension kit. **Note for G0441:** Attach braces to the lower mounting position to fit under an 8' ceiling.



**Figure 5.** Upper braces to stand assembly.

3. Flip stand assembly upside down and install the lower legs, using (24)  $\frac{3}{8}$ "-16 x  $\frac{3}{4}$ " hex bolts, (48)  $\frac{3}{8}$ " flat washers, and (24)  $\frac{3}{8}$ "-16 lock nuts (see **Figure 6**).



**Figure 6.** Lower legs on stand assembly.

4. Square up the stand, as shown in **Figure 7**, and tighten all the bolts.



**Figure 7.** Squaring stand assembly before tightening stand hardware.

5. Place foam seal tape on the intake barrel, intake cylinder, cyclone barrel, and outlet port, as shown in **Figure 8**.

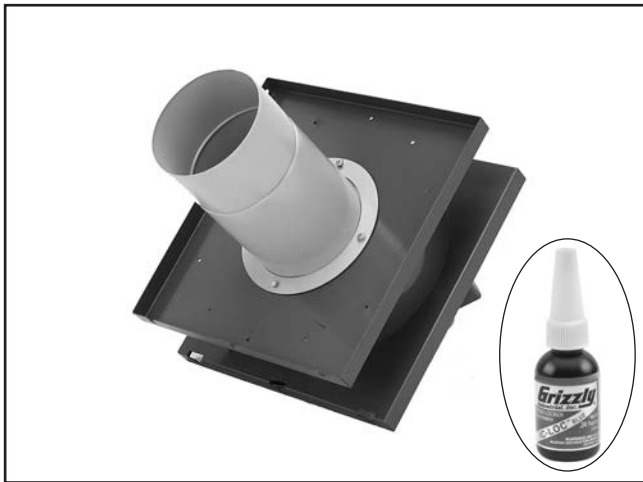


**Figure 8.** Seal seal tape stuck on necessary components.



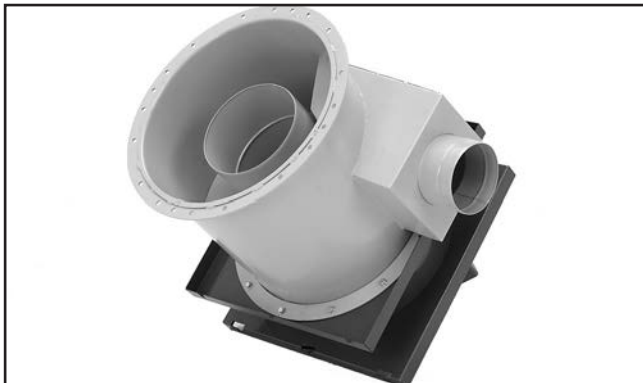
6. Place the motor/blower housing on a large piece of cardboard to prevent scratches.
7. Attach the intake cylinder to the bottom of the housing, as shown **Figure 9**, using (4)  $\frac{5}{16}$ "-18 x  $\frac{3}{4}$ " hex bolts, (4)  $\frac{5}{16}$ " flat washers, and (4)  $\frac{5}{16}$ "-18 lock nuts.

**Note:** Because this part of the dust collector is not accessible after assembly, consider using Medium Strength Blue Thread Locker (Grizzly Model T21854) on the bolts that secure the intake cylinder to the motor/blower housing assembly to ensure that the fasteners won't come loose with vibration.



**Figure 9.** Intake cylinder attached to the bottom of motor housing.

8. Attach the intake barrel to the blower housing, as shown in **Figure 10**, with (12)  $\frac{5}{16}$ "-18 x 1" hex bolts, (12)  $\frac{5}{16}$ " flat washers, and (12)  $\frac{5}{16}$ "-18 lock nuts.



**Figure 10.** Securing blower on intake barrel.

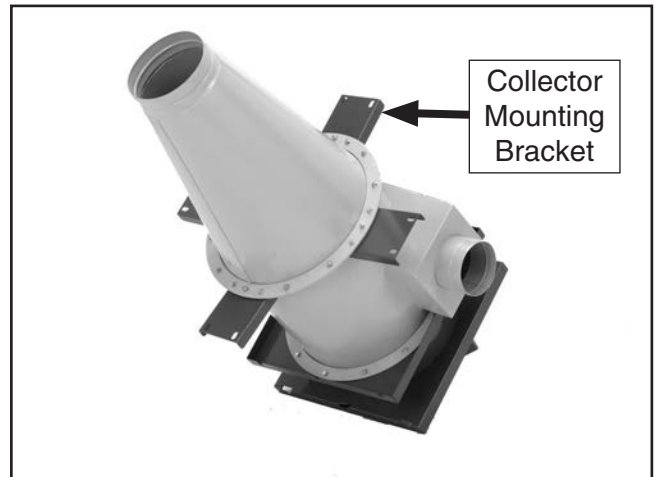
9. Attach the cyclone funnel to the intake barrel, as shown in **Figure 11**, with (12)  $\frac{5}{16}$ "-18 x 1" hex bolts, (24)  $\frac{5}{16}$ " flat washers, and (12)  $\frac{5}{16}$ "-18 lock nuts.

**Note:** At the places where you see 3 holes in a row, only use the center hole for this step. The two outside holes will be used in the next step.



**Figure 11.** Cyclone funnel attached to intake barrel.

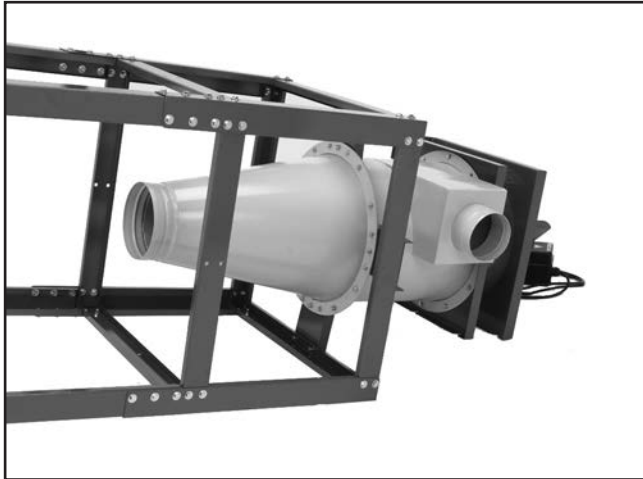
10. Attach the (4) collector mounting brackets to the intake assembly, as shown in **Figure 12**, using (8)  $\frac{5}{16}$ "-18 x 1" hex bolts, (16) flat washers, and (8) lock nuts.



**Figure 12.** Collector mounting brackets attached to intake assembly.



11. Lay the stand assembly on its side, on a large piece of cardboard to prevent scratches, and slide the collector assembly into the stand assembly.
12. Fasten the collector assembly to the stand with (8)  $\frac{3}{8}$ "-16 x  $\frac{3}{4}$ " hex bolts, (16)  $\frac{3}{8}$ " flat washers, and (8)  $\frac{3}{8}$ "-16 lock nuts, as shown in **Figure 13**.



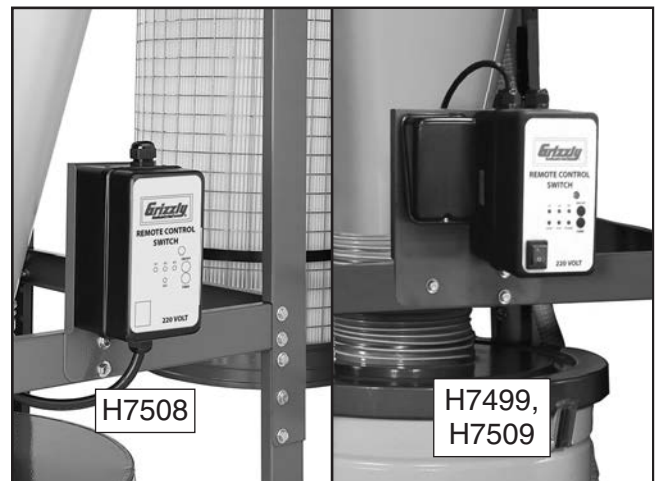
**Figure 13.** Collector assembly fastened to the stand.

13. Pivot the dust collector upright by having two or three strong helpers lift the motor end while one person keeps the stand end from sliding or rocking.



**Figure 14.** Lifting the assembly upright.

14. Pull off the front cover of the switch box, remove the remote control and spare grommets, and push the front cover back on.
15. Mount the switch on the stand, as shown in **Figure 15**, with (2)  $\frac{3}{8}$ "-16 x  $\frac{3}{4}$ " hex bolts, (2)  $\frac{3}{8}$ "-16 lock nuts, and (4)  $\frac{3}{8}$ " flat washers for the H7508, and (3)  $\frac{3}{8}$ "-16 x  $\frac{3}{4}$ " hex bolts, (3)  $\frac{3}{8}$ "-16 lock nuts, and (6)  $\frac{3}{8}$ " flat washers for the H7499 and H7509.



**Figure 15.** Switch mounted to stand.

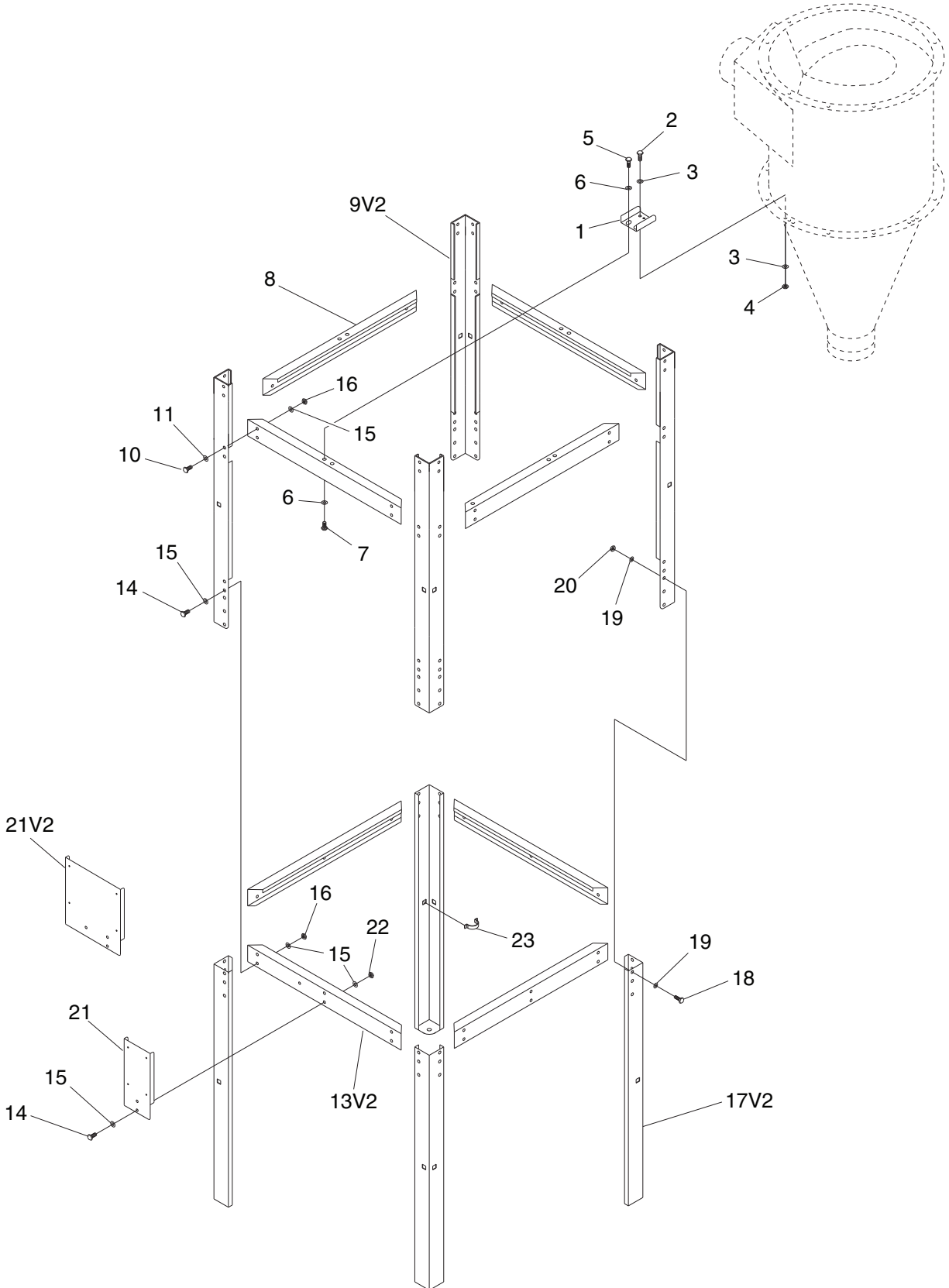
16. Complete the rest of the assembly as described in the dust collector instruction manual.
17. Secure the vacuum hose inside the upper and lower stand legs with the (2) U-shaped clips (see **Figure 16**).



**Figure 16.** Securing the vacuum hose to the stand legs.



# H7499/H7508/H7509 Parts Breakdown



# H7499/H7508/H7509 Parts List

REF	PART #	DESCRIPTION
1	PH7499001	MOUNTING BRACKET (H7499)
1	PH7508001	MOUNTING BRACKET (H7508)
1	PH7509001	MOUNTING BRACKET (H7509)
2	PB03	HEX BOLT 5/16-18 X 1
3	PW07	FLAT WASHER 5/16
4	PLN03	LOCK NUT 5/16-18
5	PB21	HEX BOLT 3/8-16 X 3/4
6	PW02	FLAT WASHER 3/8
7	PLN01	LOCK NUT 3/8-16
8	PH7499008	UPPER STAND BRACE
9V2	PH7499009V2	UPPER STAND LEG V2.07.10
10	PB21	HEX BOLT 3/8-16 X 3/4
11	PW02	FLAT WASHER 3/8

REF	PART #	DESCRIPTION
13V2	PH7499013V2	LOWER STAND BRACE V2.03.12
14	PB21	HEX BOLT 3/8-16 X 3/4
15	PW02	FLAT WASHER 3/8
16	PLN01	LOCK NUT 3/8-16
17V2	PH7499017V2	LOWER STAND LEG V2.07.10
18	PB21	HEX BOLT 3/8-16 X 3/4
19	PW02	FLAT WASHER 3/8
20	PLN01	LOCK NUT 3/8-16
21	PH7508021	STAND SWITCH BRACKET (H7508)
21V2	PH7499021V2	STAND SWITCH BRACKET V2.03.12 (H7499/H7509)
22	PN08	HEX NUT 3/8-16
23	PH7499023	VACUUM HOSE CLIP 2-1/2"





# WARRANTY CARD

Name \_\_\_\_\_  
 Street \_\_\_\_\_  
 City \_\_\_\_\_ State \_\_\_\_\_ Zip \_\_\_\_\_  
 Phone # \_\_\_\_\_ Email \_\_\_\_\_ Invoice # \_\_\_\_\_  
 Model # \_\_\_\_\_ Order # \_\_\_\_\_ Serial # \_\_\_\_\_

The following information is given on a voluntary basis. It will be used for marketing purposes to help us develop better products and services. **Of course, all information is strictly confidential.**

1. How did you learn about us?

Advertisement                       Friend                       Catalog  
 Card Deck                               Website                       Other:

2. Which of the following magazines do you subscribe to?

<input type="checkbox"/> Cabinetmaker & FDM	<input type="checkbox"/> Popular Science	<input type="checkbox"/> Wooden Boat
<input type="checkbox"/> Family Handyman	<input type="checkbox"/> Popular Woodworking	<input type="checkbox"/> Woodshop News
<input type="checkbox"/> Hand Loader	<input type="checkbox"/> Precision Shooter	<input type="checkbox"/> Woodsmith
<input type="checkbox"/> Handy	<input type="checkbox"/> Projects in Metal	<input type="checkbox"/> Woodwork
<input type="checkbox"/> Home Shop Machinist	<input type="checkbox"/> RC Modeler	<input type="checkbox"/> Woodworker West
<input type="checkbox"/> Journal of Light Cont.	<input type="checkbox"/> Rifle	<input type="checkbox"/> Woodworker's Journal
<input type="checkbox"/> Live Steam	<input type="checkbox"/> Shop Notes	<input type="checkbox"/> Other:
<input type="checkbox"/> Model Airplane News	<input type="checkbox"/> Shotgun News	
<input type="checkbox"/> Old House Journal	<input type="checkbox"/> Today's Homeowner	
<input type="checkbox"/> Popular Mechanics	<input type="checkbox"/> Wood	

3. What is your annual household income?

\$20,000-\$29,000                       \$30,000-\$39,000                       \$40,000-\$49,000  
 \$50,000-\$59,000                       \$60,000-\$69,000                       \$70,000+

4. What is your age group?

20-29                                       30-39                                       40-49  
 50-59                                       60-69                                       70+

5. How long have you been a woodworker/metalworker?

0-2 Years                       2-8 Years                       8-20 Years                       20+ Years

6. How many of your machines or tools are Grizzly?

0-2                       3-5                       6-9                       10+

7. Do you think your machine represents a good value?       Yes                       No

8. Would you recommend Grizzly Industrial to a friend?       Yes                       No

9. Would you allow us to use your name as a reference for Grizzly customers in your area?

**Note:** We never use names more than 3 times.       Yes                       No

10. Comments: \_\_\_\_\_  
 \_\_\_\_\_  
 \_\_\_\_\_  
 \_\_\_\_\_

CUT ALONG DOTTED LINE

FOLD ALONG DOTTED LINE

\_\_\_\_\_
\_\_\_\_\_
\_\_\_\_\_



Place Stamp Here



GRIZZLY INDUSTRIAL, INC.
P.O. BOX 2069
BELLINGHAM, WA 98227-2069



FOLD ALONG DOTTED LINE

Send a Grizzly Catalog to a friend:

Name \_\_\_\_\_
Street \_\_\_\_\_
City \_\_\_\_\_ State \_\_\_\_\_ Zip \_\_\_\_\_

TAPE ALONG EDGES--PLEASE DO NOT STAPLE

# WARRANTY AND RETURNS

---

Grizzly Industrial, Inc. warrants every product it sells for a period of **1 year** to the original purchaser from the date of purchase. This warranty does not apply to defects due directly or indirectly to misuse, abuse, negligence, accidents, repairs or alterations or lack of maintenance. This is Grizzly's sole written warranty and any and all warranties that may be implied by law, including any merchantability or fitness, for any particular purpose, are hereby limited to the duration of this written warranty. We do not warrant or represent that the merchandise complies with the provisions of any law or acts unless the manufacturer so warrants. In no event shall Grizzly's liability under this warranty exceed the purchase price paid for the product and any legal actions brought against Grizzly shall be tried in the State of Washington, County of Whatcom.

We shall in no event be liable for death, injuries to persons or property or for incidental, contingent, special, or consequential damages arising from the use of our products.

To take advantage of this warranty, contact us by mail or phone and give us all the details. We will then issue you a "Return Number," which must be clearly posted on the outside as well as the inside of the carton. We will not accept any item back without this number. Proof of purchase must accompany the merchandise.

The manufacturers reserve the right to change specifications at any time because they constantly strive to achieve better quality equipment. We make every effort to ensure that our products meet high quality and durability standards and we hope you never need to use this warranty.

Please feel free to write or call us if you have any questions about the machine or the manual.

Thank you again for your business and continued support. We hope to serve you again soon.

***grizzly.com***<sup>®</sup>  
**TOOL WEBSITE**

Buy Direct and Save with Grizzly<sup>®</sup> – Trusted, Proven and a Great Value!  
~Since 1983~

*Visit Our Website Today For  
Current Specials!*

**ORDER  
24 HOURS A DAY!  
1-800-523-4777**

