



MODEL H7775 CAST IRON CORN/GRAIN MILL INSTRUCTION SHEET

⚠ WARNING

You **MUST** clean and thoroughly rinse all components of this product **BEFORE** using it. Failure to follow this warning may lead to sickness!

NOTICE

The Model H7775 is **NOT** dishwasher safe!

Cleaning

You must disassemble the mill as shown in **Figure 1** to properly clean all its parts. Clean the parts with dish soap and thoroughly rinse. The cast iron components are double plated to make cleaning easier and prevent rusting. Avoid using steel wool when cleaning, as it may damage the plating.

Introduction

The Model H7775 is great for hand-milling corn, grain, or cereal.

To setup the corn/grain mill:

1. Clamp the mill to the edge of a table, using the protector plate (part #14) on the top surface of the table to prevent damage. **Note:** *The maximum clamp capacity is 1½".*
2. Fill the hopper with the grinding material.
3. Tighten or loosen the adjustable grinding plate while turning the crank handle to adjust the desired texture of the ground material.
4. Tighten the wing nut to lock the grinding plate adjustment in place after you have found your desired setting.

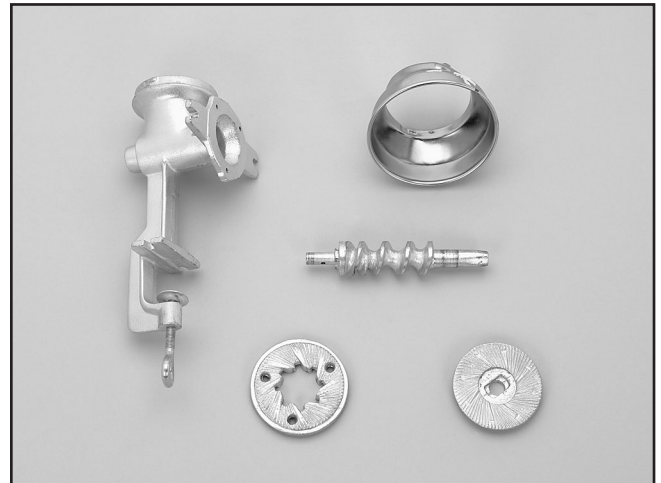


Figure 1. Mill disassembled for cleaning.

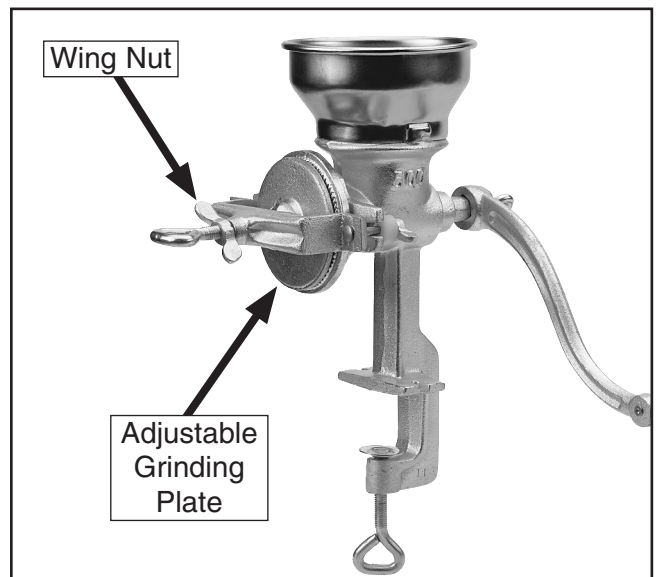
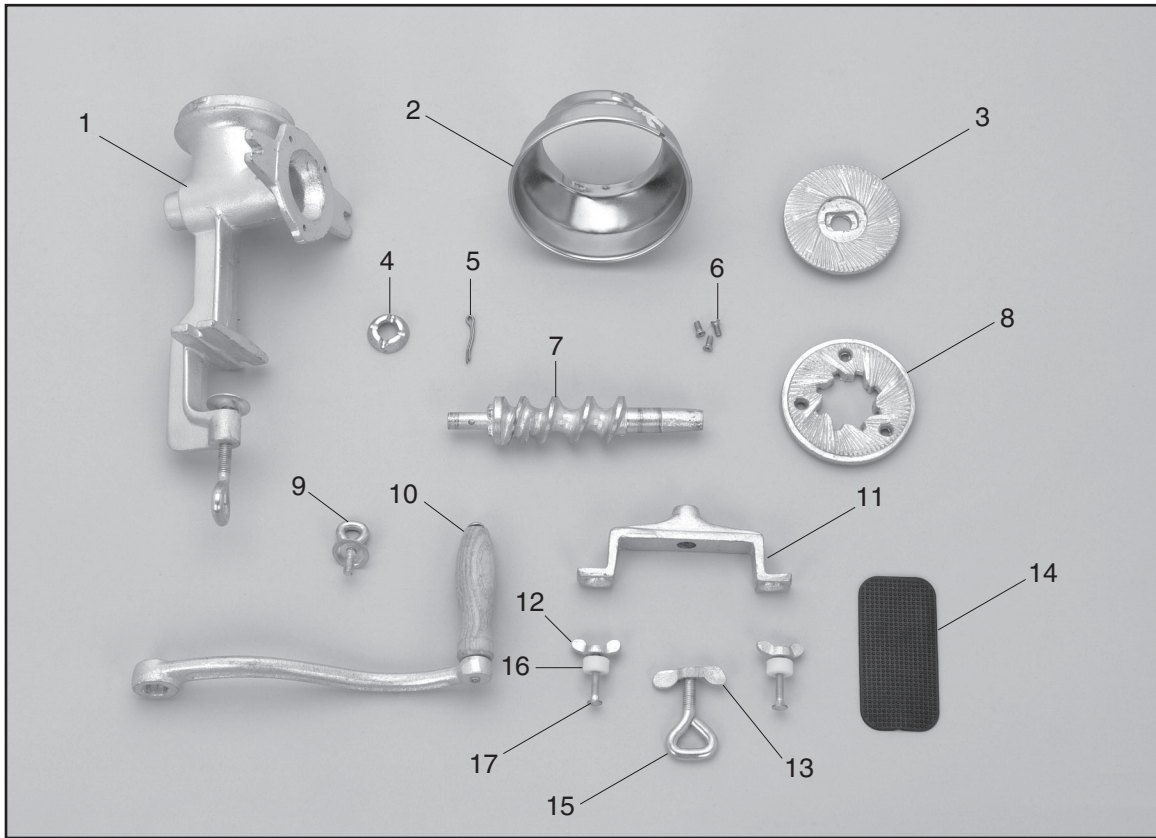


Figure 2. Model H7775.

If you need additional help with this assembly, call our Tech Support at: (570) 546-9663.

H7775 Parts Breakdown and List



| REF | PART # | DESCRIPTION |
|-----|-----------|---------------------------|
| 1 | PH7775001 | GRINDER HOUSING |
| 2 | PH7775002 | HOPPER |
| 3 | PH7775003 | ADJUSTABLE GRINDING PLATE |
| 4 | PH7775004 | SPECIAL NUT |
| 5 | PH7775005 | COTTER PIN M3.2 X 32 |
| 6 | PFH05M | FLAT HD SCR M5-.8 X 12 |
| 7 | PH7775007 | AUGER |
| 8 | PH7775008 | FIXED GRINDING PLATE |
| 9 | PH7775009 | THUMB SCREW M8-1.25 X 20 |
| 10 | PH7775010 | CRANK HANDLE |
| 11 | PH7775011 | YOKE |
| 12 | PH7775012 | CAST WING NUT M6-1 |
| 13 | PH7775013 | CAST WING NUT M10-1.5 |
| 14 | PH7775014 | PROTECTOR PLATE |
| 15 | PH7775015 | THUMSCREW M10-1.5 X 30 |
| 16 | PH7775016 | SPACER |
| 17 | PB26M | CARRIAGE BOLT M6-1 X 40 |