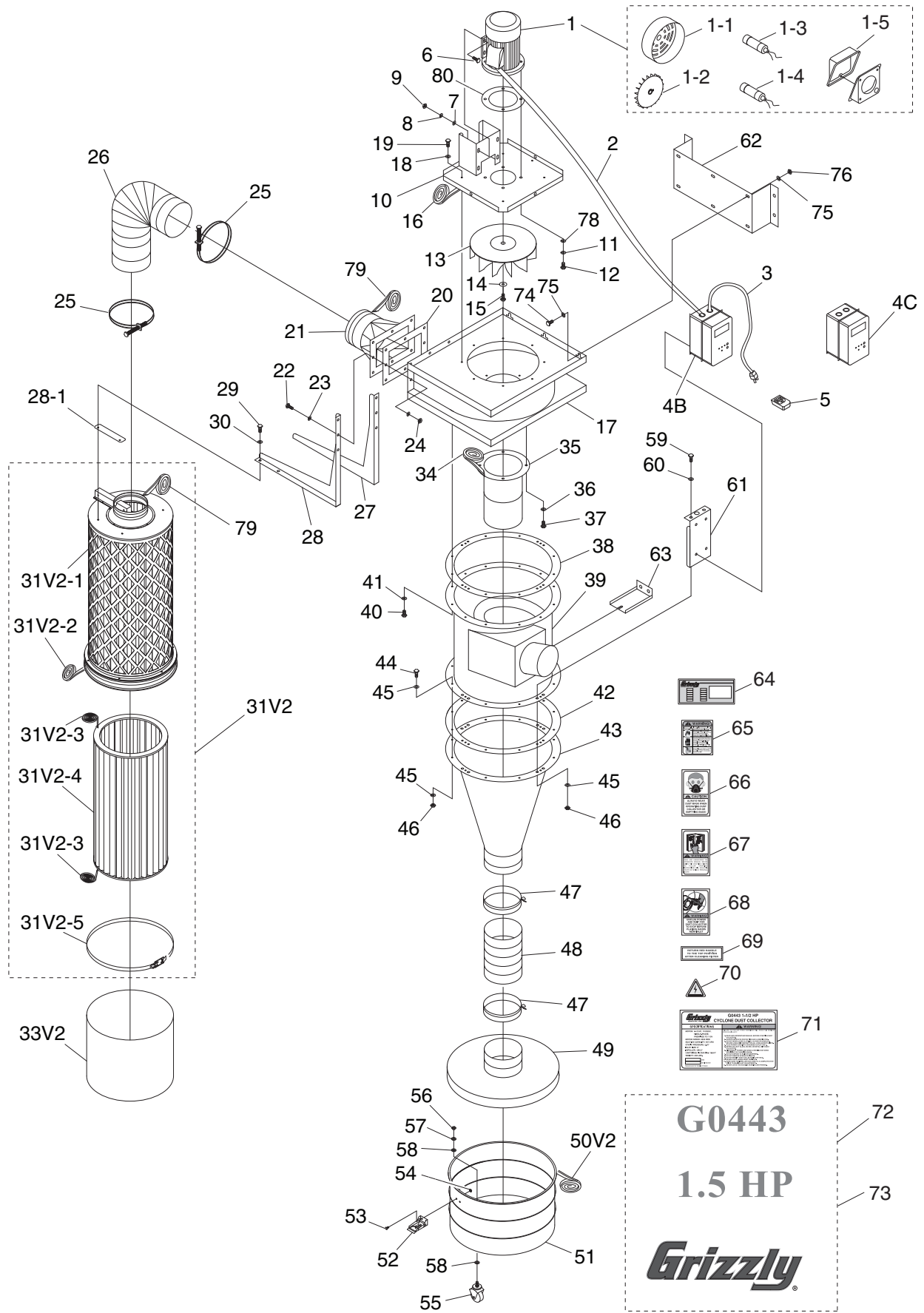


G0443 Breakdown



G0443 Parts List

REF	PART #	DESCRIPTION
1	P0443001	MOTOR 1.5HP 110/220V 1PH
1-1	P0443001-1	MOTOR FAN COVER
1-2	P0443001-2	MOTOR FAN
1-3	PC300B	S CAPACITOR 300MFD 125V 1-3/4 X 3-3/8
1-4	PC040A	R CAPACITOR 40MFD 250V 1-3/8 X 2-3/4
1-5	P0443001-5	JUNCTION BOX
2	P0443002	MOTOR CORD 14AWG
3	P0443003	POWER CORD 14AWG W/PLUG
4B	P0443004B	REMOTE MAG SWITCH 110V V2.02.06
4C	P0443004C	REMOTE MAG SWITCH 220V V2.02.06
5	P0443005	REMOTE CONTROLLER
6	PB16	HEX BOLT 3/8-16 X 1-1/2
7	PW02	FLAT WASHER 3/8
8	PLW04	LOCK WASHER 3/8
9	PN08	HEX NUT 3/8"-16
10	P0443010	BLOWER COVER
11	PLW01	LOCK WASHER 5/16
12	PB07	HEX BOLT 5/16-18 X 3/4
13	P0443013	IMPELLER 12-1/2"
14	P0440015	IMPELLER FENDER WASHER 5/16
15	PB104	HEX BOLT 5/16-18 X 3/4 LH
16	P0443016	FOAM TAPE 3 X 6MM
17	P0443017	BLOWER HOUSING
18	PW07	FLAT WASHER 5/16
19	PB07	HEX BOLT 5/16-18 X 3/4
20	P0443020	OUTLET GASKET 206 X 206MM
21	P0443021	INTAKE
22	PB03	HEX BOLT 5/16-18 X 1
23	PW07	FLAT WASHER 5/16
24	PN02	HEX NUT 5/16"-18
25	P0443025	HOSE CLAMP 7"
26	P0440027	GRAY FLEX PIPE 7" x 800MM
27	P0440029	RIGHT FILTER L-BRACE
28	P0440028	LEFT FILTER L-BRACE
28-1	P0440028-1	BRACE GASKET 155 X 37MM
29	PB07	HEX BOLT 5/16-18 X 3/4
30	PW07	FLAT WASHER 5/16
31V2	P0440031V2	CANISTER ASSEMBLY V2.11.09
31V2-1	P0440031V2-1	CANISTER FILTER CAGE ASSEMBLY
31V2-2	P0440031V2-2	FOAM TAPE 3 X 25 X 1400MM V2.11.09
31V2-3	P0440031V2-3	FOAM TAPE 3 X 35 X 1255MM V2.11.09
31V2-4	P0440031V2-4	CANISTER FILTER 386MM V2.11.09
31V2-5	P0440031V2-5	BAG CLAMP 445MM V2.11.09
33V2	P0440034V2	PLASTIC BAG 470 X 600MM V2.11.09
34	P0443016	FOAM TAPE 3 X 6MM

REF	PART #	DESCRIPTION
35	P0443035	INTAKE CYLINDER 9"
36	PW07	FLAT WASHER 5/16
37	PB07	HEX BOLT 5/16-18 X 3/4
38	P0443038	BARREL GASKET 534MM DIA.
39	P0443039	INTAKE BARREL 18"
40	PB07	HEX BOLT 5/16-18 X 3/4
41	PW07	FLAT WASHER 5/16
42	P0443038	BARREL GASKET 534MM DIA.
43	P0443043	CYCLONE FUNNEL 18"
44	PB03	HEX BOLT 5/16-18 X 1
45	PW07	FLAT WASHER 5/16
46	PN02	HEX NUT 5/16"-18
47	P0440048	HOSE CLAMP 9"
48	P0443048	CLEAR FLEX PIPE 9" X 260MM
49	P0440050	COLLECTION DRUM LID V2.08.06
50V2	P0440051V2	DRUM SEAL 2.1M V2.11.09
51	P0440052	COLLECTION DRUM 35GAL
52	P0443052	DRUM LID LATCH
53	PS06	PHLP HD SCR 10-24 X 3/8
54	PN07	HEX NUT 10-24
55	P0440056	CASTER 2"
56	PN08	HEX NUT 3/8"-16
57	PLW04	LOCK WASHER 3/8
58	PW02	FLAT WASHER 3/8
59	PB03	HEX BOLT 5/16-18 X 1
60	PW07	FLAT WASHER 5/16
61	P0443061	SWITCH MOUNTING BRACKET
62	P0443062	WALL MOUNTING BRACKET
63	P0443063	WALL MOUNTING BRACE
64	P0443064	MOTOR SPEC LABEL
65	P0442093	MOTOR WARNING LABEL
66	PLABEL-32	DUST MASK 2W X 3.3H
67	PLABEL-12	READ MANUAL 2W X 3.3H
68	P0442096	HANDS/INLET LABEL
69	P0442097	RETURN RED HANDLE LABEL
70	PLABEL-14	ELECTRICITY 1.4W X 1.2H
71	P0443071	MACHINE ID LABEL
72	P0443072	MODEL NO/HP/GRIZZLY LABEL LRG
73	P0443073	MODEL NO/HP/GRIZZLY LABEL SML
74	PB18	HEX BOLT 3/8-16 X 1
75	PW02	FLAT WASHER 3/8
76	PN08	HEX NUT 3/8-16
78	PTLW02	EXT TOOTH WASHER 5/16
79	P0440079	FOAM TAP 3 X 15 X 750MM
80	P0443080	MOTOR MOUNT GASKET

