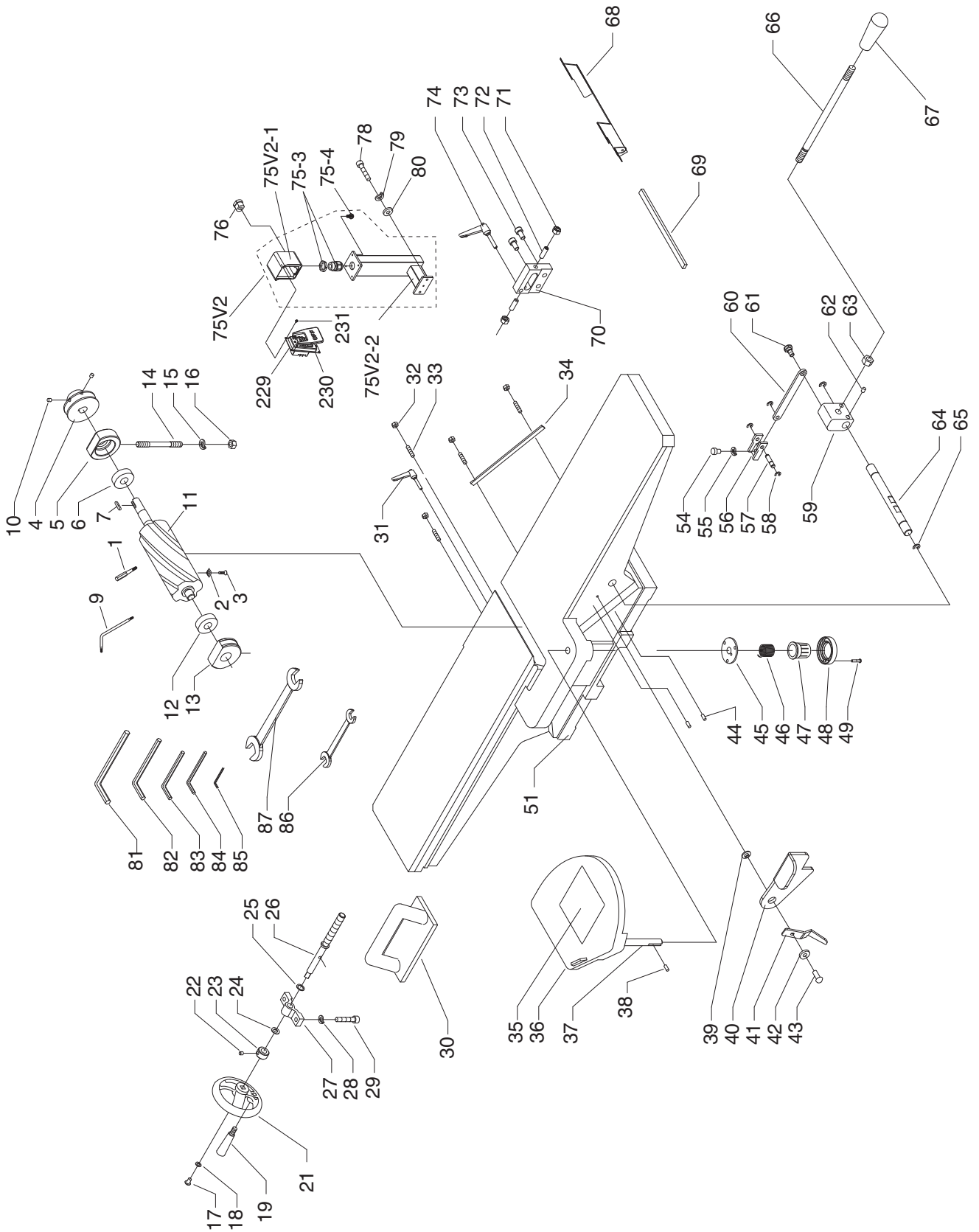


# Jointer Breakdown



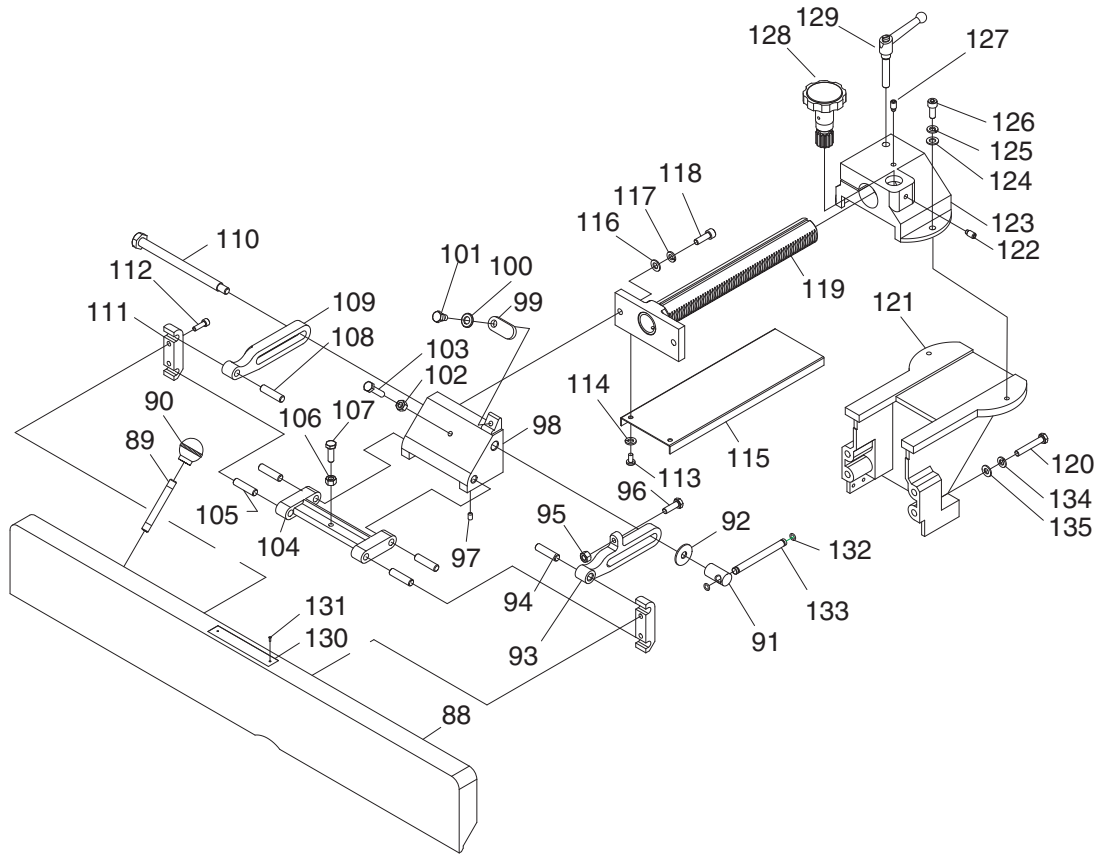
# Jointer Parts List

REF	PART #	DESCRIPTION
1	P0452Z001	DRIVER BIT TORX T20
2	T21348	INDEXABLE INSERT 14 x 14 x 2
3	PFH35M	FLAT HD TORX SCR T20 M6-1 X 15
4	P0452004	PULLEY
5	P0452005	BEARING BLOCK RIGHT
6	P6203-2RS	BALL BEARING 6203 2RS
7	PK12M	KEY 5 X 5 X 30
9	P0452Z009	L-WRENCH TORX T20
10	PSS01M	SET SCREW M6-1 X 10
11	P0452Z011	SPIRAL CUTTERHEAD 6"
12	P6202-2RS	BALL BEARING 6202 2RS
13	P0452013	BEARING BLOCK LEFT
14	P0452014	STUD M10-1.5 X 100
15	PLW06M	LOCK WASHER 10MM
16	PN02M	HEX NUT M10-1.5
17	PSBS09M	BUTTON HD CAP SCR M6-1 X 12
18	PW03M	FLAT WASHER 6MM
19	P0452019	HANDLE
21	P0452021	HANDWHEEL
22	PSS02M	SET SCREW M6-1 X 6
23	P0452023	COLLAR
24	PW06M	FLAT WASHER 12MM
25	PW06M	FLAT WASHER 12MM
26	P0452026	SCREW SHAFT
27	P0452027	BLOCK
28	PLW04M	LOCK WASHER 8MM
29	PSB05M	CAP SCREW M8-1.25 X 50
30	P0452030	JOINTER PUSH BLOCK
31	P0452031	LOCK HANDLE
32	PN01M	HEX NUT M6-1
33	PSS12M	SET SCREW M6-1 X 25
34	P0452034	GIB
35	P0452035	CUTTER GUARD LABEL
36	P0452036	CUTTER HEAD GUARD
37	P0452037	POST
38	PSS47M	SET SCREW M3-.5 X 10
39	P0452039	SPACER
40	P0452040	STOP
41	P0452041	POINTER
42	PW05M	FLAT WASHER 4MM
43	PSBS14M	BUTTON HD CAP SCR M4-.7 X 15
44	PRP39M	ROLL PIN 4 X 20
45	P0452045	PLATE
46	P0452046	TORSION SPRING

REF	PART #	DESCRIPTION
47	P0452047	CUP
48	P0452048	RETAINER
49	PSBS15M	BUTTON HD CAP SCR M4.7 X 18
51	P0452051	BASE ASSY W/TABLES
54	PSB100M	CAP SCREW M8-1.25 X 15
55	PLW04M	LOCK WASHER 8MM
56	P0452056	BRACKET
57	P0452057	PIN
58	PR73M	EXT RETAINING RING 5MM
59	P0452059	BLOCK
60	P0452060	LINK
61	P0452061	SPECIAL BOLT
62	PSS20M	SET SCREW M8-1.25 X 8
63	PN09M	HEX NUT M12-1.75
64	P0452064	SHAFT
65	PR03M	EXT RETAINING RING 12MM
66	P0452066	LEVER ROD
67	P0452067	HANDLE
68	P0452068	DUST CHUTE
69	P0452069	SEAL
70	P0452070	BLOCK
71	PN03M	HEX NUT M8-1.25
72	PSS21M	SET SCREW M8-1.25 X 25
73	PSB11M	CAP SCREW M8-1.25 X 16
74	P0452074	LOCK HANDLE
75V2	P0452Z075V2	COMPLETE SWITCH ARM ASSY V2.08.08
75V2-1	P0452Z075V2-1	SWITCH BOX V2.08.08
75V2-2	P0452Z075V2-2	SWITCH PEDESTAL V2.08.08
75-3	P0452Z075-3	BALL STRAIN RELIEF 13.5MM
75-4	PFB17M	FLANGE BOLT M6-1 X 16
76	P0452Z076	STRAIN RELIEF
78	PSB31M	CAP SCREW M8-1.25 X 25
79	PLW04M	LOCK WASHER 8MM
80	PW01M	FLAT WASHER 8MM
81	PAW08M	HEX WRENCH 8MM
82	PAW06M	HEX WRENCH 6MM
83	PAW04M	HEX WRENCH 4MM
84	PAW03M	HEX WRENCH 3 MM
85	PAW02.5M	HEX WRENCH 2.5 MM
86	PWR810	OPEN END WRENCH M8 X10
87	PWR1214	OPEN END WRENCH M12 X14
229	P0452229	SWITCH PLATE
230	P0452230A	SWITCH
231	PHTEK4M	TAP SCREW M4 X 8



# Fence Breakdown

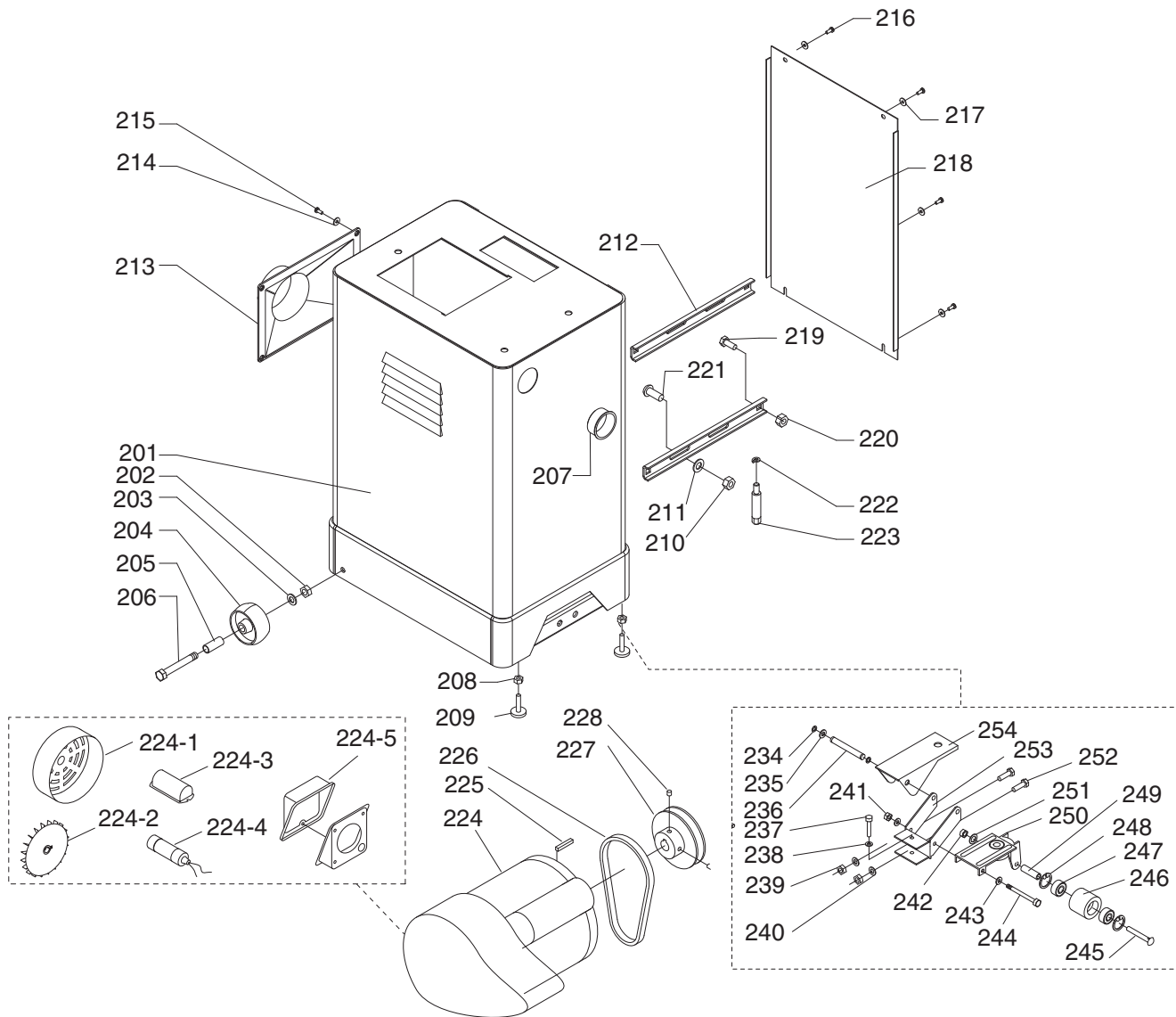


REF	PART #	DESCRIPTION
88	P0452088	FENCE
89	P0452089	LEVER ROD
90	P0452090	BALL KNOB
91	P0452091	HANDLE HUB
92	PW04M	FLAT WASHER 10MM
93	P0452Z093	RIGHT BRACKET
94	P0452094	PIN
95	PN03M	HEX NUT M8-1.25
96	PB07M	HEX BOLT M8-1.25 X 25
97	PSS01M	SET SCREW M6-1 X 10
98	P0452Z098	FENCE BRACKET
99	P0452099	STOP
100	PW01M	FLAT WASHER 8MM
101	P0452101	SHOULDER BOLT M8-1.25 X 15
102	PN03M	HEX NUT M8-1.25
103	PB07M	HEX BOLT M8-1.25 X 25
104	P0452Z104	SUPPORT
105	P0452105	PIN
106	PN03M	HEX NUT M8-1.25
107	PB07M	HEX BOLT M8-1.25 X 25
108	P0452108	PIN
109	P0452Z109	LEFT BRACKET
110	P0452110	SPECIAL SCREW
111	P0452111	REAR CLAMP

REF	PART #	DESCRIPTION
112	PSB02M	CAP SCREW M6-1 X 20
113	PS14M	PHLP HD SCR M6-1 X 12
114	PLW04M	LOCK WASHER 8MM
115	P0452115	GUARD
116	PW01M	FLAT WASHER 8MM
117	PLW04M	LOCK WASHER 8MM
118	PSB31M	CAP SCREW M8-1.25 X 25
119	P0452Z119	RAM
120	PSB35M	CAP SCREW M8-1.25 X 60
121	P0452Z121	BRACKET
122	PSS14M	SET SCREW M8-1.25 X 12
123	P0452Z123	BRACKET
124	PW01M	FLAT WASHER 8MM
125	PLW04M	LOCK WASHER 8MM
126	PSB14M	CAP SCREW M8-1.25 X 20
127	PSS14M	SET SCREW M8-1.25 X 12
128	P0452128	KNOB
129	P0452129	LEVER ASSEMBLY
130	P0452130	FENCE WARNING LABEL
131	P0452131	ALUMINUM RIVET
132	POR006	O-RING 5.8 X 1.9 P6
133	P0452133	LOCK BAR
134	PLW04M	LOCK WASHER 8MM
135	PW01M	FLAT WASHER 8MM



# Stand Breakdown



REF	PART #	DESCRIPTION
201	P0452Z201	CABINET
202	PN03M	HEX NUT M8-1.25
203	PW01M	FLAT WASHER 8MM
204	P0452204	WHEEL
205	P0452205	SLEEVE
206	PSB66M	CAP SCREW M8-1.25 X 65
207	P0452207	STRAIN RELIEF
208	PN08	HEX NUT 3/8-16
209	P0452209	ADJUSTING SCREW
210	PN02	HEX NUT 5/16-18
211	PW04M	FLAT WASHER 10MM
212	P0452212	MOTOR BRACKET
213	P0452213	DUST CHUTE
214	PW02M	FLAT WASHER 5MM

REF	PART #	DESCRIPTION
215	PS40M	PHLP HD SCR M5-.8 X 16
216	PS40M	PHLP HD SCR M5-.8 X 16
217	PW02M	FLAT WASHER 5MM
218	P0452Z218	CABINET REAR COVER
219	PB07	HEX BOLT 5/16-18 X 3/4
220	PN02	HEX NUT 5/16-18
221	PCB11	CARRIAGE BOLT 5/16-18 X 1
222	PLW06M	LOCK WASHER 10MM
223	P0452223	SPECIAL BOLT
224	P0452Z224	MOTOR 1.5HP, 110V/220V
224-1	P0452Z224-1	FAN COVER
224-2	P0452Z224-2	MOTOR FAN
224-3	P0452Z224-3	CAPACITOR COVER
224-4	P0452Z224-4	START CAPACITOR 200MFD 125V

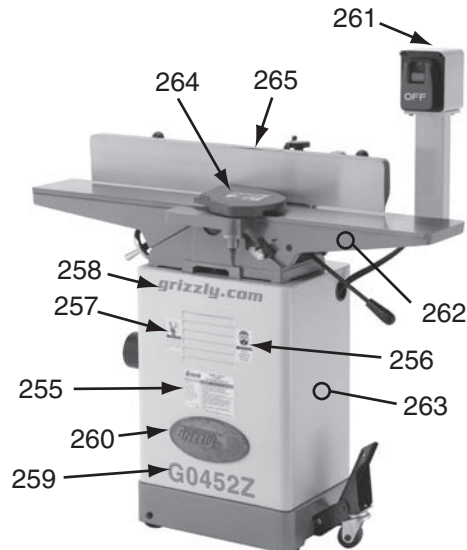


# Stand Parts List

REF	PART #	DESCRIPTION
224-5	P0452Z224-5	JUNCTION BOX
225	PK12M	KEY 5 X 5 X 30
226	PVA38	V-BELT A-38 4L380
227	P0452227	MOTOR PULLEY
228	PSS02M	SET SCREW M6-1 X 6
234	PR16M	EXT RETAINING RING 9MM
235	PW06M	FLAT WASHER 12MM
236	P0452236	SHAFT
237	PB22M	HEX BOLT M8-1.25 X 50
238	PW01M	FLAT WASHER 8MM
239	PN02M	HEX NUT M10-1.5
240	PW04M	FLAT WASHER 10MM
241	PN03M	HEX NUT M8-1.25

REF	PART #	DESCRIPTION
242	PN02M	HEX NUT M10-1.5
243	PW01M	FLAT WASHER 8MM
244	PB45M	HEX BOLT M8-1.25 X 100
245	P0452245	SPECIAL BOLT
246	P0452246	TROLLEY WHEEL
247	P6202	BALL BEARING 6202ZZ
248	PR21M	INT RETAINING RING 35MM
249	P0452249	SLEEVE
250	P0452250	TROLLEY UNIVERSAL KIT
251	PW04M	FLAT WASHER 10MM
252	PB144M	HEX BOLT M10-1.5 X 55
253	P0452253	BRACKET
254	P0452254	TREADLE

# Labels & Cosmetic Parts



REF	PART #	DESCRIPTION
255	P0452Z255	MACHINE ID LABEL
256	PLABEL-37	RESPIRATOR/GLASSES LABEL
257	PLABEL-12A	READ MANUAL LABEL
258	P0452Z258	GRIZZLY.COM LABEL
259	P0452Z259	MODEL NUMBER LABEL
260	G8588	GRIZZLY LOGO PLATE

REF	PART #	DESCRIPTION
261	PLABEL-14	ELECTRICITY LABEL
262	PPAINT-1	GRIZZLY GREEN PAINT
263	PPAINT-11	GRAY PUTTY PAINT
264	P0452Z264	CUTTERHEAD GUARD LABEL
265	P0452Z265	CUTTERHEAD SPACE LABEL

## ⚠️ WARNING

Safety labels warn about machine hazards and ways to prevent injury. The owner of this machine **MUST** maintain the original location and readability of the labels on the machine. If any label is removed or becomes unreadable, **REPLACE** that label before using the machine again. Contact Grizzly at (800) 523-4777 or [www.grizzly.com](http://www.grizzly.com) to order new labels.

