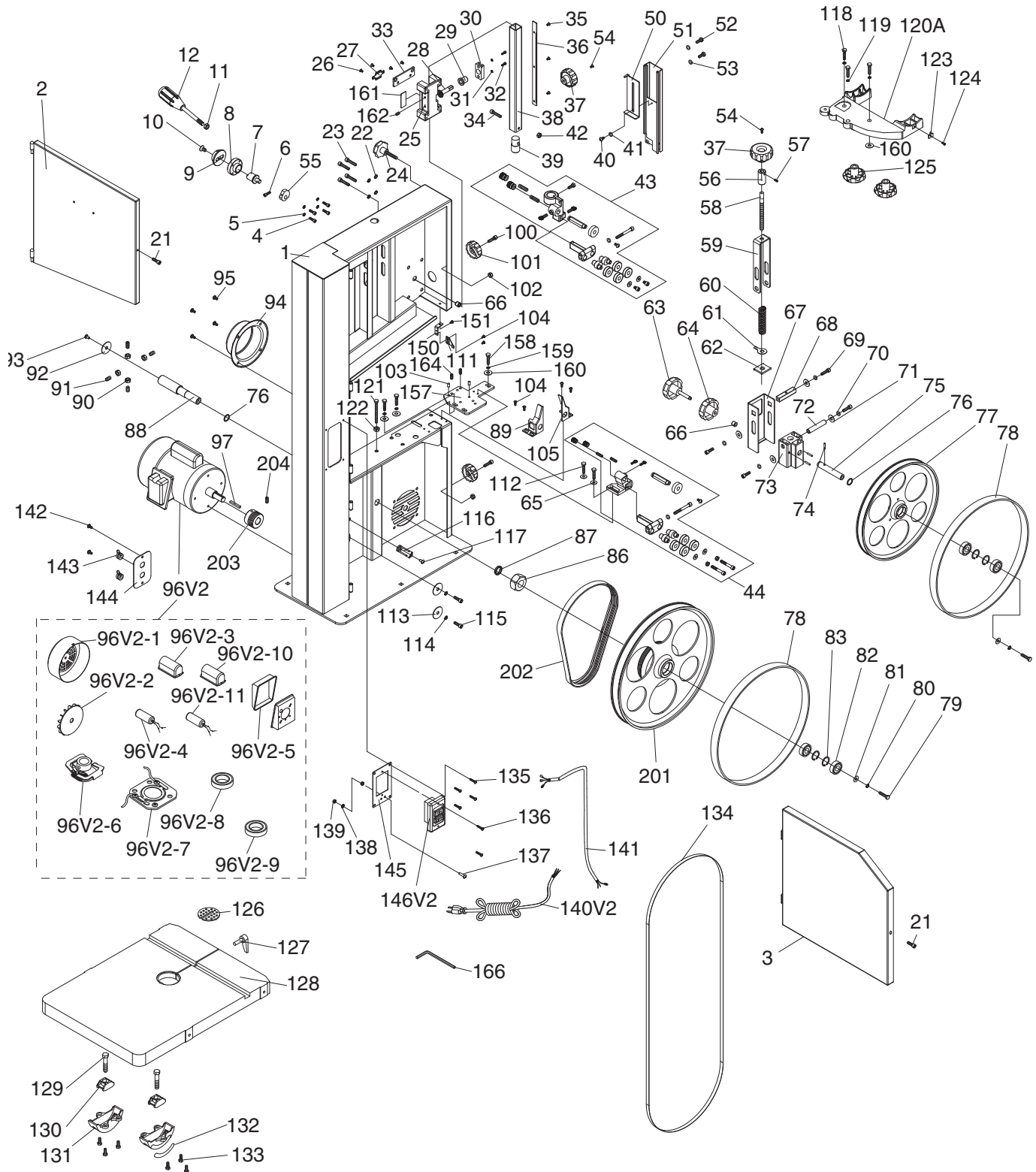


# SECTION 9: PARTS

## Main



**Please Note:** We do our best to stock replacement parts whenever possible, but we cannot guarantee that all parts shown here are available for purchase. Call (800) 523-4777 or visit our online parts store at [www.grizzly.com](http://www.grizzly.com) to check for availability.



# Main Parts List

REF	PART #	DESCRIPTION
1	P0457001	BODY
2	P0457002	UPPER WHEEL DOOR
3	P0457003	LOWER WHEEL DOOR
4	P0457004	CAP SCREW M6-1 X 10
5	P0457005	LOCK WASHER 6MM
6	P0457006	CAP SCREW M5-.8 X 12
7	P0457007	BIAS SHAFT
8	P0457008	BIAS SHAFT CLAMP SEAT
9	P0457009	TENSION ADJUSTMENT HUB
10	P0457010	CAP SCREW M8-1.25 X 20
11	P0457011	HEX NUT M8-1.25
12	P0457012	TENSION HANDLE
21	P0457021	CAP SCREW M6-1 X 10
22	P0457022	LOCK WASHER 8MM
23	P0457023	CAP SCREW M8-1.25 X 20
24	P0457024	LOCK KNOB M8-1.25 X 20
25	P0457025	UPPER GUIDE POST SUPPORT
26	P0457026	FLAT HD SCR M4-.7 X 6
27	P0457027	SPRING TENSIONER
28	P0457028	ADJUSTMENT GEAR SHAFT
29	P0457029	BUSHING
30	P0457030	GEAR SHAFT BRACKET
31	P0457031	LOCK WASHER 6MM
32	P0457032	CAP SCREW M6-1 X 10
33	P0457033	COVER PLATE
34	P0457034	CAP SCREW M6-1 X 35
35	P0457035	FLAT HD SCR M4-.7 X 6
36	P0457036	RACK
37	P0457037	HAND KNOB M10-1.5
38	P0457038	GUIDE POST
39	P0457039	CHANGE SHAFT
40	P0457040	PHLP HD SCR M6-1 X 12
41	P0457041	WASHER 6MM PLASTIC
42	P0457042	LOCK NUT M6-1
43	P0457043	UPPER BLADE GUIDE ASSEMBLY
44	P0457044	LOWER BLADE GUIDE ASSEMBLY
50	P0457050	SLIDING BLADE GUARD
51	P0457051	BLADE GUARD
52	P0457052	HEX BOLT M6-1 X 8
53	P0457053	FLAT WASHER 6MM
54	P0457054	FLANGE SCREW M6-1 X 8
55	P0457055	CAM
56	P0457056	LOCK COLLAR
57	P0457057	SET SCREW M5-.8 X 5
58	P0457058	TENSION ADJUSTMENT SCREW
59	P0457059	ADJUSTMENT SCREW BRACKET
60	P0457060	COMPRESSION SPRING
61	P0457061	TENSION INDICATOR
62	P0457062	THREADED PLATE
63	P0457063	LOCK KNOB M8-1.25 X 45
64	P0457064	KNOB M8-1.25
65	P0457065	FLAT WASHER 6MM
66	P0457066	PULL NUT M8-1.25
67	P0457067	BRACKET

REF	PART #	DESCRIPTION
68	P0457068	SQUARE SHAFT 12 X 12MM
69	P0457069	CAP SCREW M8-1.25 X 20
70	P0457070	LOCK WASHER 8MM
71	P0457071	FLAT WASHER 8MM
72	P0457072	SLEEVE
73	P0457073	UPPER WHEEL SHAFT BRACKET
74	P0457074	ROLL PIN 5 X 35
75	P0457075	UPPER WHEEL SHAFT
76	P0457076	WAVY WASHER 15 X 22MM
77	P0457077	UPPER WHEEL
78	P0457078	WHEEL TIRE
79	P0457079	HEX BOLT M8-1.25 X 16
80	P0457080	LOCK WASHER 8MM
81	P0457081	FLAT WASHER 8MM
82	P0457082	BALL BEARING 6202ZZ
83	P0457083	INT RETAINING RING 35MM
86	P0457086	HEX NUT M18-1.5
87	P0457087	LOCK WASHER 18MM
88	P0457088	LOWER WHEEL SHAFT
89	P0457089	LEFT BLADE COVER
90	P0457090	HEX NUT M8-1.25
91	P0457091	SET SCREW M8-1.25 X 20
92	P0457092	SHAFT END CAP
93	P0457093	FLANGE SCREW M5-.8 X 8
94	P0457094	DUST PORT
95	P0457095	FLANGE SCREW M6-1 X 10
96V2	P0457096V2	MOTOR 2HP 1PH 220/110V V2.05.11
96V2-1	P0457096V2-1	MOTOR FAN COVER
96V2-2	P0457096V2-2	MOTOR FAN
96V2-3	P0457096V2-3	S CAPACITOR COVER
96V2-4	P0457096V2-4	S CAPACITOR 300M 250V
96V2-5	P0457096V2-5	MOTOR JUNCTION BOX
96V2-6	P0457096V2-6	CENTRIFUGAL SWITCH
96V2-7	P0457096V2-7	CONTACT PLATE
96V2-8	P0457096V2-8	FRONT MOTOR BEARING
96V2-9	P0457096V2-9	REAR MOTOR BEARING
96V2-10	P0457096V2-10	R CAPACITOR COVER
96V2-11	P0457096V2-11	R CAPACITOR 40M 250V 1-3/8 X 2-3/8
97	P0457097	KEY 5 X 5 X 20
100	P0457100	CAP SCREW M6-1 X 20
101	P0457101	WHEEL COVER LATCH KNOB 6MM
102	P0457102	LOCK NUT M6-1
103	P0457103	ALIGNMENT PIN
104	P0457104	FLANGE SCREW M5-.8 X 6
105	P0457105	RIGHT BLADE COVER
111	P0457111	POINTER
112	P0457112	HEX BOLT M6-1 X 12
113	P0457113	FLAT WASHER 8MM
114	P0457114	LOCK WASHER 8MM
115	P0457115	CAP SCREW M8-1.25 X 20
116	P0457116	WHEEL BRUSH
117	P0457117	FLANGE SCREW M5-.8 X 8
118	P0457118	HEX BOLT M8-1.25 X 35



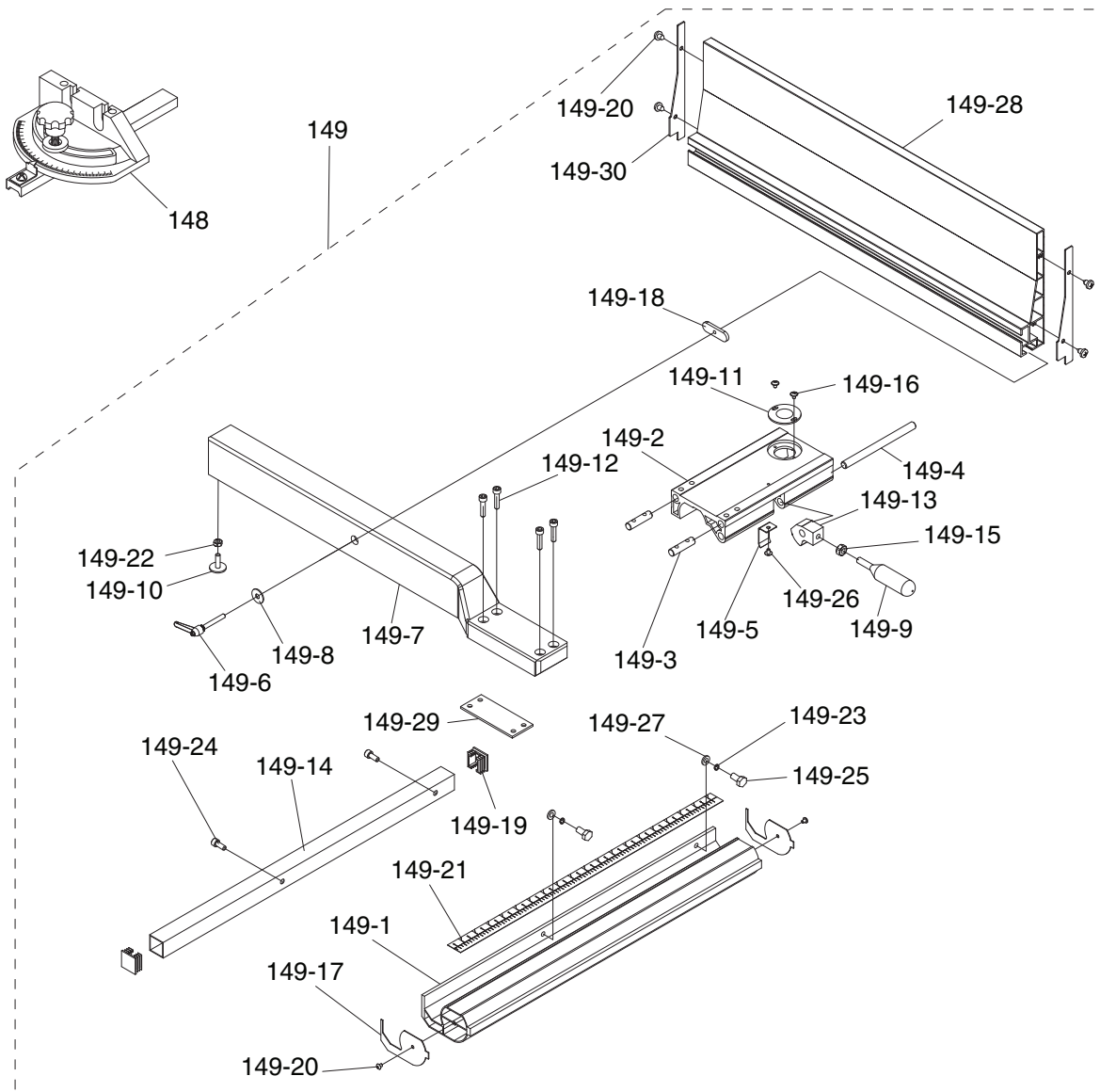
# Main Parts List (Continued)

REF	PART #	DESCRIPTION
119	P0457119	LOCK WASHER 8MM
120A	P0457120A	TRUNNION BRACKET CAST IRON
121	P0457121	HEX BOLT M8-1.25 X 80
122	P0457122	HEX NUT M8-1.25
123	P0457123	POINTER
124	P0457124	PHLP HD SCR M5-.8 X 6
125	P0457125	LOCK KNOB M10-1.5
126	P0457126	TABLE INSERT
127	P0457127	TABLE PIN
128	P0457128	TABLE
129	P0457129	HEX BOLT M10-1.5 X 50
130	P0457130	TRUNNION CLAMP SHOE 1PC
131A	P0457131A	TRUNNION CAST IRON
132	P0457132	SCALE
133	P0457133	FLANGE BOLT M6-1 X 12
134	P0457134	BLADE 106 X 3/8 X 0.35" 6TPI
135	P0457135	FLANGE SCREW M5-.8 X 8
136	P0457136	PHLP HD SCR M4-.7 X 10
137	P0457137	PHLP HD SCR M5-.8 X 12
138	P0457138	EXT TOOTH WASHER 5MM
139	P0457139	HEX NUT M5-.8

REF	PART #	DESCRIPTION
140V2	P0457140V2	POWER CORD 14G 3C 6-15 V2.05.11
141	P0457141	MOTOR CORD 14G 3C
142	P0457142	FLANGE SCREW M5-.8 X 8
143	P0457143	STRAIN RELIEF
144	P0457144	SWITCH BOX REAR PLATE
145	P0457145	SWITCH BOX FRONT PLATE
146V2	P0457146V2	ON/OFF SWITCH 110/220V V2.05.11
150	P0457150	POINTER BRACKET
151	P0457151	FLANGE SCREW M5-.8 X 12
157	P0457157	LEVER PLATE
158	P0457158	HEX BOLT M8-1.25 X 20
159	P0457159	LOCK WASHER 8MM
160	P0457160	FLAT WASHER 8MM
161	P0457161	SHIM PLASTIC
162	P0457162	SET SCREW M6-1 X 6
164	P0457164	SET SCREW M8-1.25 X 10
166	P0457166	HEX WRENCH 6MM
201	P0457201	WHEEL LOWER ASSEMBLY
202	P0457202	RIBBED BELT 200J5
203	P0457203	MOTOR PULLEY
204	P0457204	SET SCREW M6-1 X 10



# Components

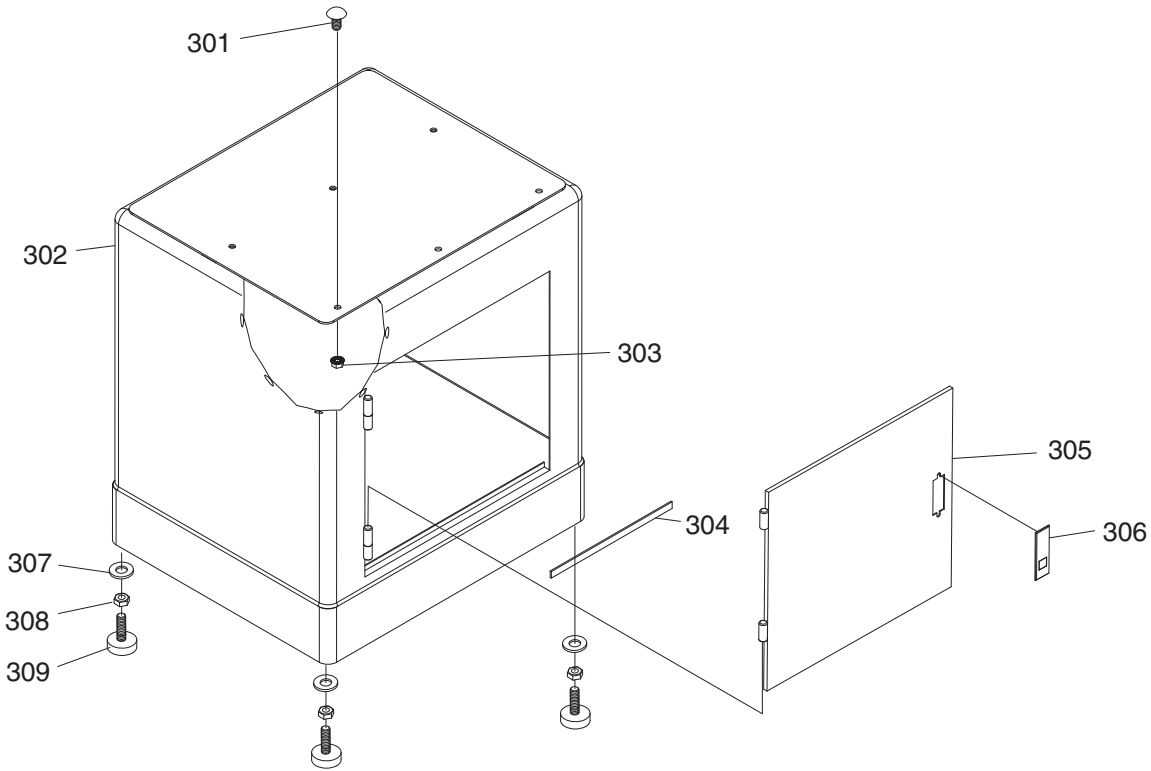


REF	PART #	DESCRIPTION
148	P0457148	MITER GAUGE ASSEMBLY
149	P0457149	RESAW FENCE ASSEMBLY
149-1	P0457149-1	FRONT FENCE RAIL 540MM
149-2	P0457149-2	FENCE BASE
149-3	P0457149-3	FENCE SUPPORT MOUNTING ROD
149-4	P0457149-4	LOCK ROD
149-5	P0457149-5	SPRING PIECE
149-6	P0457149-6	LOCK HANDLE ASSEMBLY M8-1.25 X 44
149-7	P0457149-7	FENCE SUPPORT 505MM
149-8	P0457149-8	FLAT WASHER 8MM
149-9	P0457149-9	LOCK HANDLE
149-10	P0457149-10	FENCE REAR STANDOFF
149-11	P0457149-11	SCALE WINDOW
149-12	P0457149-12	CAP SCREW M6-1 X 25
149-13	P0457149-13	LOCK CAM
149-14	P0457149-14	REAR FENCE RAIL

REF	PART #	DESCRIPTION
149-15	P0457149-15	HEX NUT M8-1.25
149-16	P0457149-16	FLANGE SCREW M4-.7 X 6
149-17	P0457149-17	FRONT RAIL END CAP
149-18	P0457149-18	FENCE MOVING PLATE
149-19	P0457149-19	REAR RAIL END CAP
149-20	P0457149-20	TAP SCREW M3.5 X 8
149-21	P0457149-21	SCALE
149-22	P0457149-22	HEX NUT M6-1
149-23	P0457149-23	LOCK WASHER 6MM
149-24	P0457149-24	CAP SCREW M6-1 X 16
149-25	P0457149-25	HEX BOLT M6-1 X 20
149-26	P0457149-26	FLANGE SCREW M4-.7 X 8
149-27	P0457149-27	FLAT WASHER 6MM
149-28	P0457149-28	FENCE 505MM ALUMINUM
149-29	P0457149-29	FENCE SUPPORT MOUNTING PLATE
149-30	P0457149-30	FENCE END CAP



# Stand

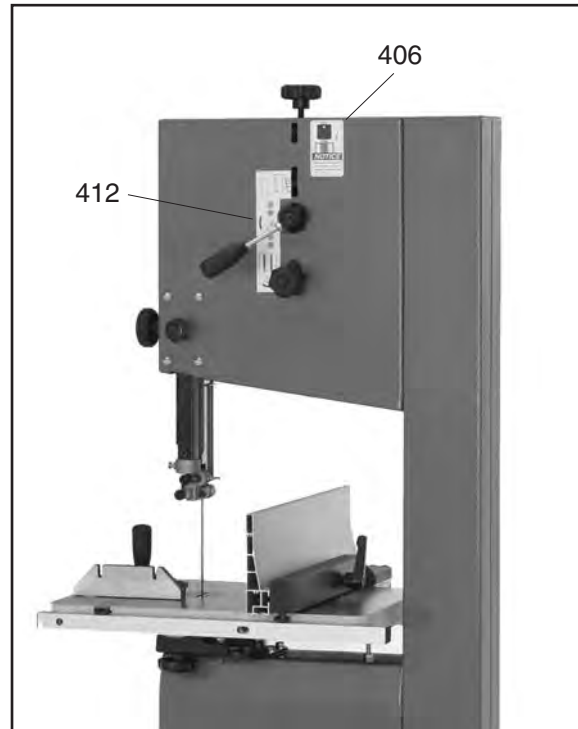
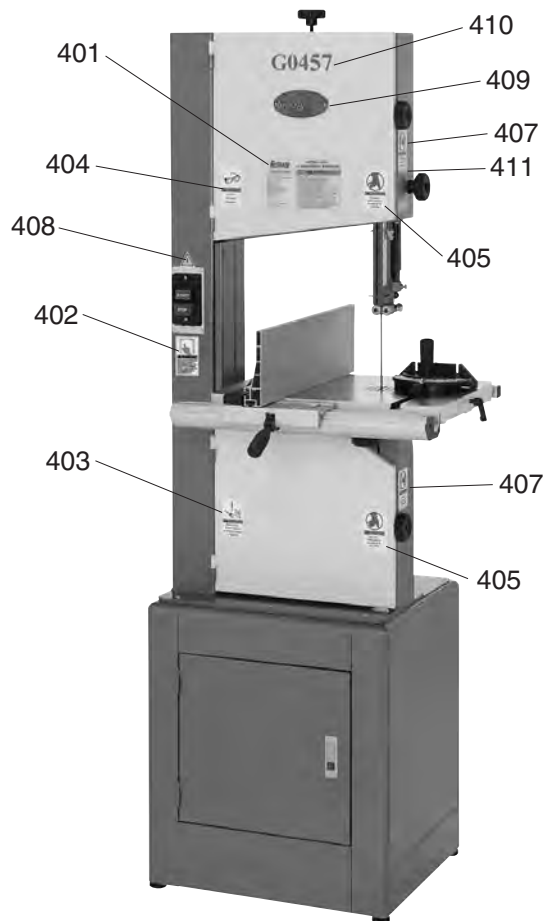


REF	PART #	DESCRIPTION
301	P0457301	CARRIAGE BOLT M8-1.25 X 20
302	P0457302	STAND
303	P0457303	FLANGE NUT M8-1.25
304	P0457304	FOAM TAPE
305	P0457305	DOOR

REF	PART #	DESCRIPTION
306	P0457306	LATCH ASSEMBLY
307	P0457307	FLAT WASHER 10MM
308	P0457308	HEX NUT 3/8-16
309	P0457309	FOOT 3/8-16 X 1-3/4



# Labels



Rear of Machine

REF	PART #	DESCRIPTION
401	P0457401	MACHINE ID LABEL
402	P0457402	READ MANUAL LABEL
403	P0457403	UNPLUG BANDSAW LABEL
404	P0457404	SAFETY GLASSES LABEL
405	P0457405	DO NOT OPEN LABEL
406	P0457406	BLADE TENSION NOTICE LABEL

REF	PART #	DESCRIPTION
407	P0457407	HANDS NEAR BLADE LABEL
408	P0457408	ELECTRICITY LABEL
409	P0457409	GRIZZLY NAMEPLATE
410	P0457410	MODEL NUMBER LABEL
411	P0457411	BLADE GUARD ADJ LABEL
412	P0457412	BLADE TENSION SCALE/LABEL

## WARNING

Safety labels help reduce the risk of serious injury caused by machine hazards. If any label comes off or becomes unreadable, the owner of this machine **MUST** replace it in the original location before resuming operations. For replacements, contact (800) 523-4777 or [www.grizzly.com](http://www.grizzly.com).

