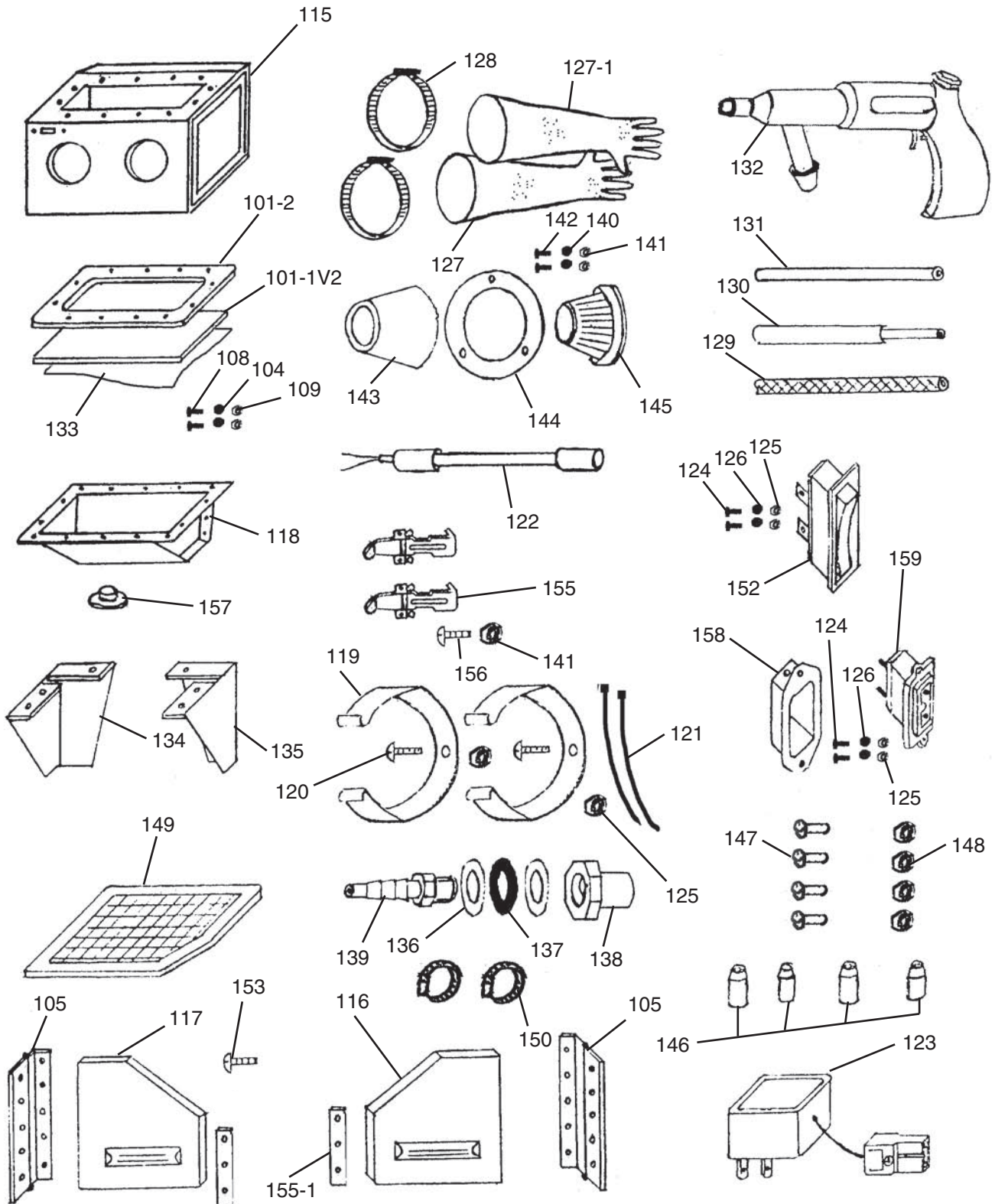


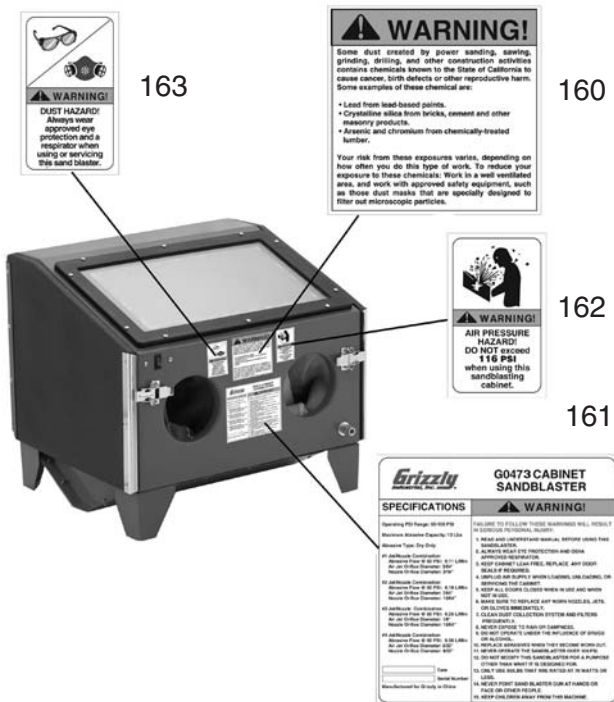
# Parts Breakdown (G0473)



# Parts List (G0473)

REF	PART #	DESCRIPTION
101	P0473101	WINDOW FRAME AND SEAL
101-1V2	P0473101-1V2	WINDOW GLASS V2.03.10
101-2	P0473101-2	WINDOW FRAME
101-3	P0473101-3	WINDOW SEAL
102	P0473102	KNOB
103	PN01M	HEX NUT M6-1
104	PW03M	FLAT WASHER 6MM
105	P0473105	HINGE
106	PHTEK15M	TAP SCREW M4 X 10
107	P0473107	CHAIN
108	PS14M	PHLP HD SCR M6-1 X 12
109	PN01M	HEX NUT M6-1
115	P0473115	CABINET
116	P0473116	DOOR-RIGHT
117	P0473117	DOOR-LEFT
118	P0473118	HOPPER
119	P0473119	LAMP CLAMP
120	PS38M	PHLP HD SCR M4-.7 X 10
121	P0473121	ZIP TIE
122	P0473122	COMPLETE LAMP ASSEMBLY
123	P0473123	AC/DC ADAPTER
124	PS38M	PHLP HD SCR M4-.7 X 10
125	PN04M	HEX NUT M4-.7
126	PW05M	FLAT WASHER 4MM
127	P0473127	GLOVE-RIGHT
127-1	P0473127-1	GLOVE-LEFT
128	P0473128	HOSE CLAMP
129	P0473129	PRESSURE SUPPLY HOSE
130	P0473130	SUCTION TUBE

REF	PART #	DESCRIPTION
131	P0473131	SUCTION HOSE
132	P0473132	BLAST GUN
133	P0473133	CLEAR ADHESIVE FILM 4-PC
134	P0473134	SHORT LEG-LEFT
135	P0473135	SHORT LEG-RIGHT
136	P0473136	FLAT SPACER
137	P0473137	FLAT GASKET
138	P0473138	BULKHEAD FITTING
139	P0473139	HOSE NIPPLE
140	PW05M	FLAT WASHER 4MM
141	PN04M	HEX NUT M4-.7
142	PS38M	PHLP HD SCR M4-.7 X 10
143	P0473143	FOAM FILTER
144	P0473144	RING
145	P0473145	FILTER ELEMENT
146	P0473146	NOZZLE SET
147	P0473147	JET SET
148	P0473148	JET SEAL SET
149	P0473149	SCREEN
150	P0473150	HOSE CLAMP
151	P0473151	SWITCH HOUSING
152	P0473152	SWITCH
153	PHTEK18	TAP SCREW #10 X 5/8
155	P0473155	LATCH
155-1	P0473155-1	LATCH CATCH
156	PS38M	PHLP HD SCR M4-.7 X 10
157	P0473157	HOPPER PLUG
158	P0473158	RECEPTACLE COVER
159	P0473159	RECEPTACLE



REF	PART #	DESCRIPTION
160	P0472080	SAFETY WARNING LABEL
161	P0473161	MACHINE ID LABEL
162	P0472082	PSI LABEL 116 MAX
163	P0472083	DUST HAZARD LABEL

