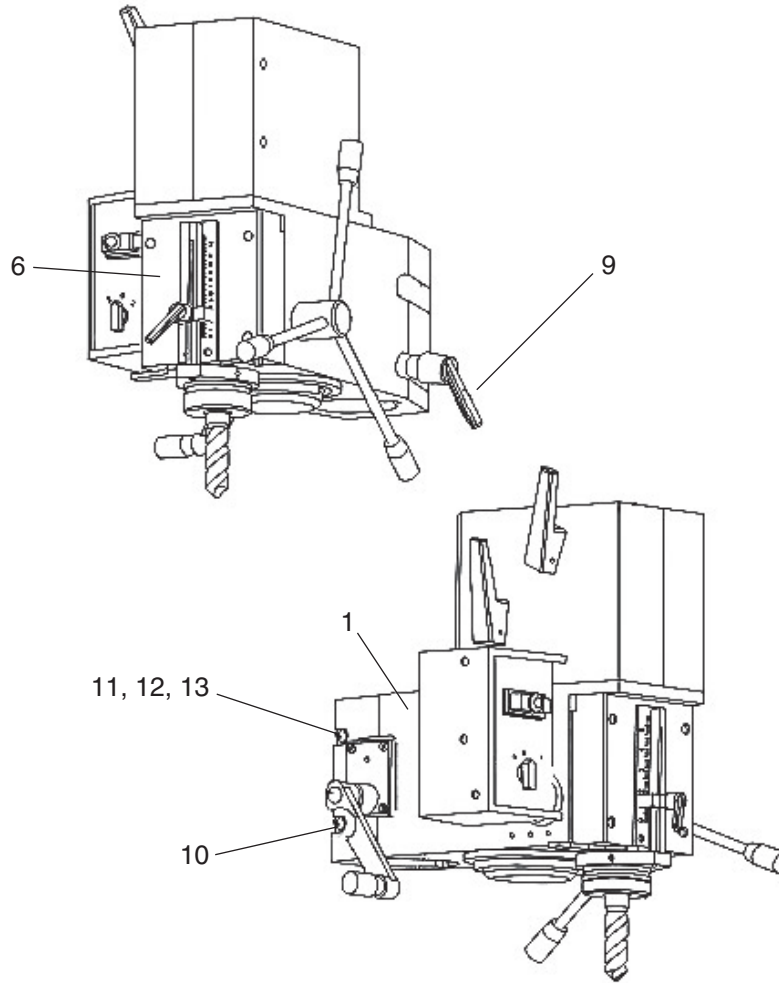


# Headstock Breakdown and Parts List

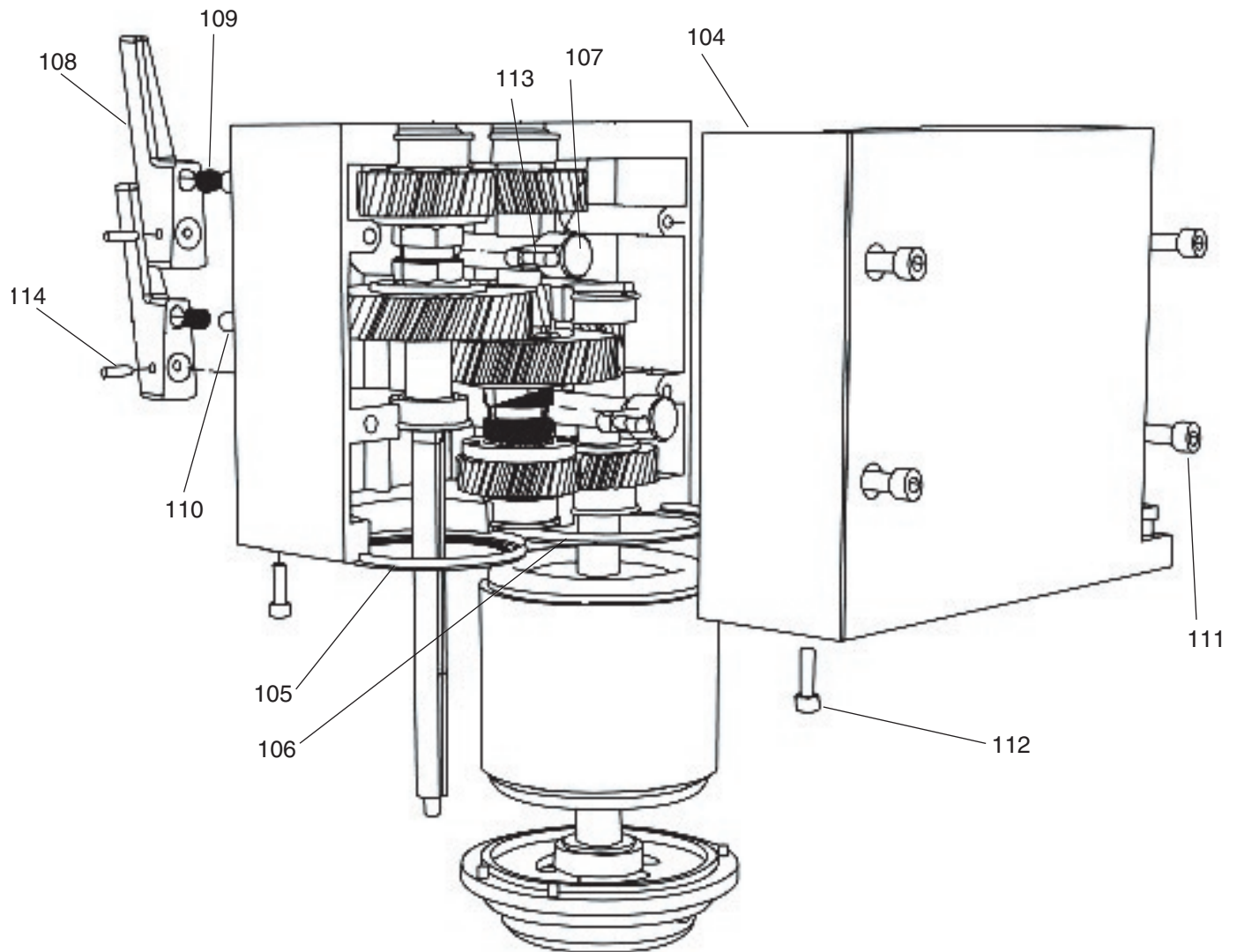


REF	PART #	DESCRIPTION
1	P0483001	SPINDLE HOUSING
6	P0483006	FRONT COVER
9	P0483009	LOCKING LEVER
10	PB143M	HEX BOLT M12-1.75 X 120

REF	PART #	DESCRIPTION
11	PB157M	HEX BOLT M12-1.75 X 130
12	PLN09M	LOCK NUT M12-1.75
13	PW06M	FLAT WASHER 12MM



# Gearbox Breakdown and Parts List

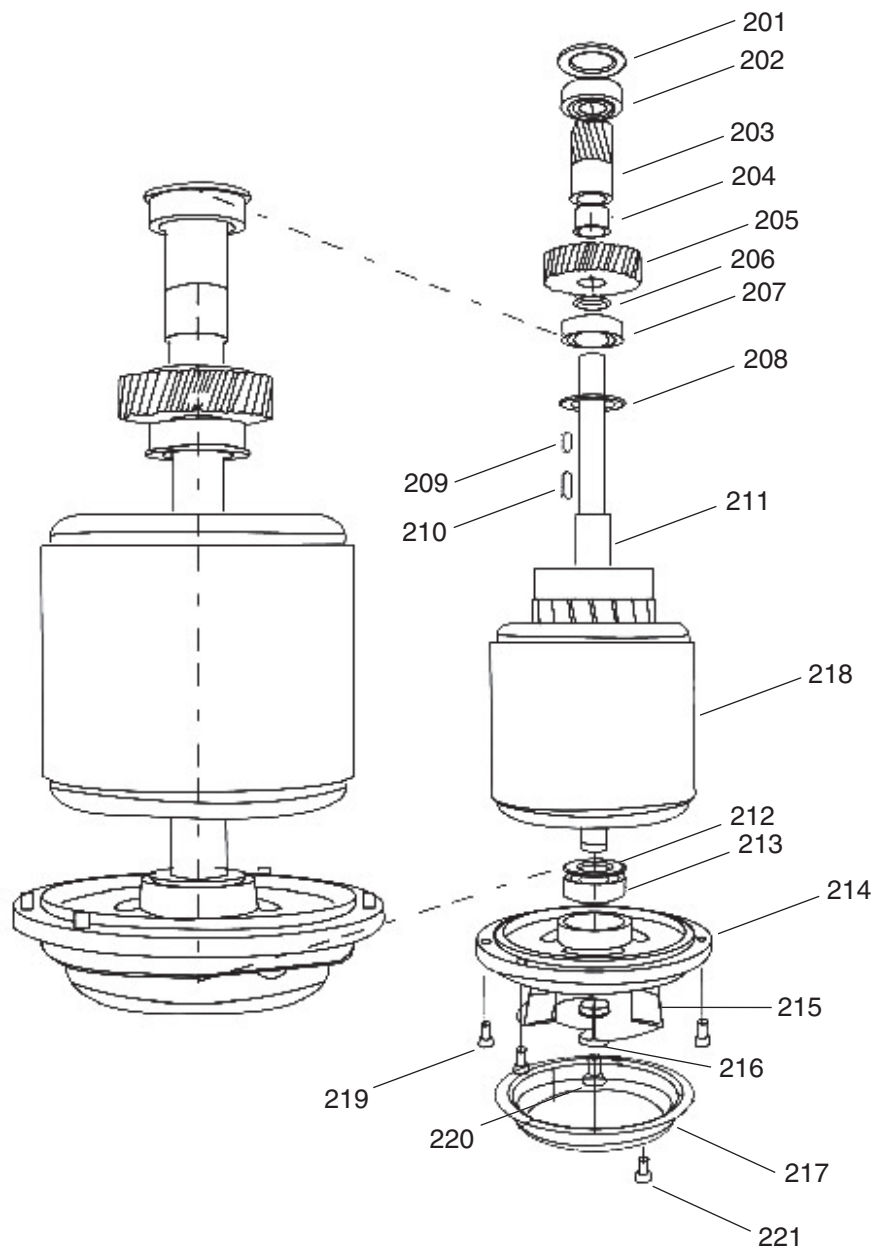


REF	PART #	DESCRIPTION
104	P0483104	GEAR BOX COVER
105	P0483105	RING 100 x 5.5
106	P0483106	RING 130.5 x 5.5
107	P0483107	GEAR SELECTOR ARM
108	P0483108	GEAR LEVER
109	P0483109	COMPRESSION SPRING

REF	PART #	DESCRIPTION
110	P0483110	STEEL BALL 8MM
111	PSB14M	CAP SCREW M8-1.25 X 20
112	PSB02M	CAP SCREW M6-1 X 20
113	P0483113	SHIFT PIN
114	PRP88M	ROLL PIN 5 X 22



# Motor Breakdown and Parts List

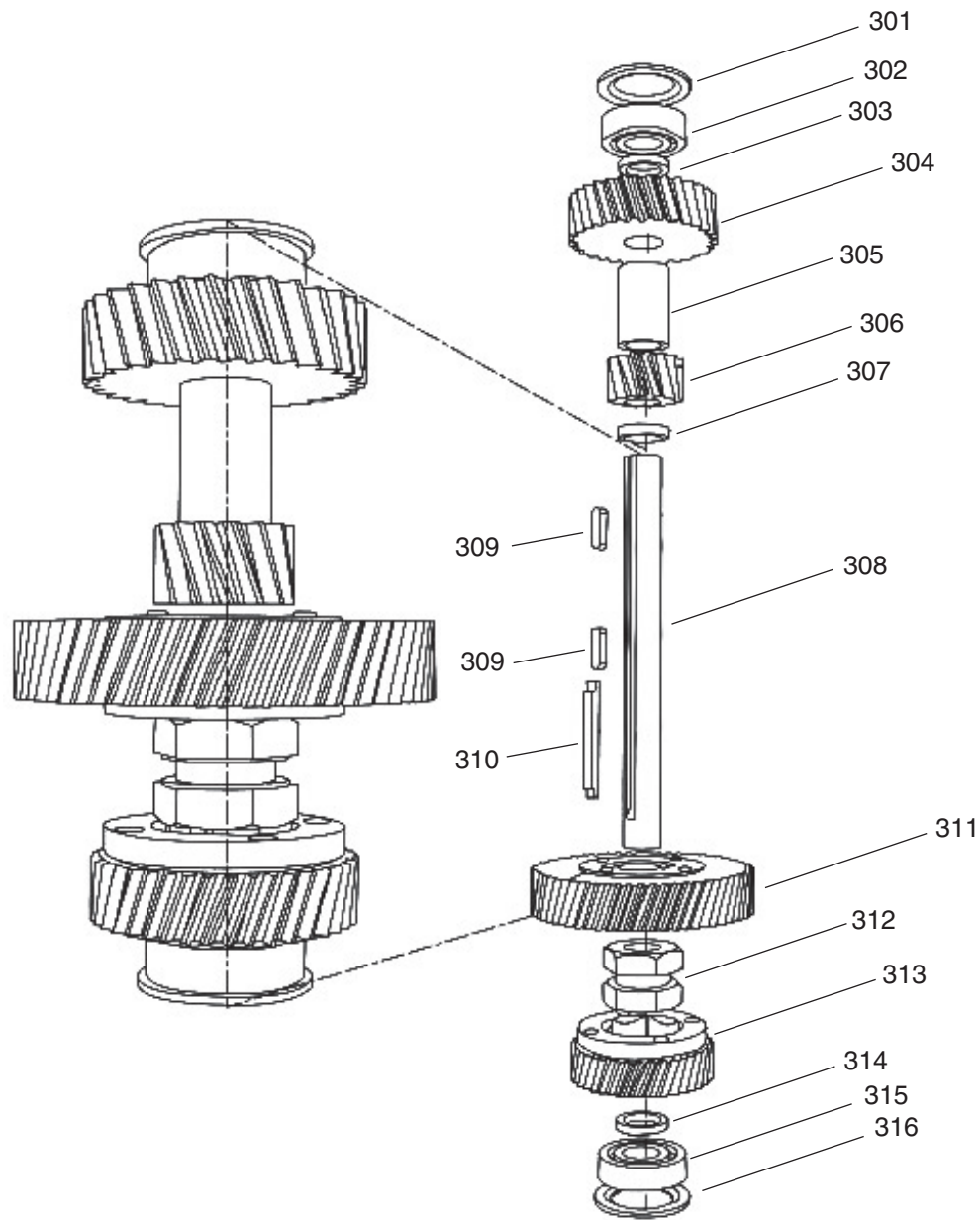


REF	PART #	DESCRIPTION
201	P0483201	BEARING COVER
202	P6203	BALL BEARING 6203
203	P0483203	GEAR
204	P0483204	SPACING SLEEVE
205	P0483205	GEAR
206	P0483206	SPACING SLEEVE
207	P6203	BALL BEARING 6203
208	P0483208	BEARING COVER
209	P0483209	KEY 5 X 5 X 14
210	P0483210	KEY 5 X 5 X 20
211	P0483211	ROTOR

REF	PART #	DESCRIPTION
212	P0483212	FLAT WASHER 17MM
213	P6203	BALL BEARING 6203
214	P0483214	FAN HOUSING
215	P0483215	FAN
216	PW05M	FLAT WASHER 4MM
217	P0483217	FAN COVER
218	P0483218	STATOR
219	PSB50M	CAP SCREW M5-.8 X 10
220	PS07M	PHLP HD SCR M4-.7 X 8
221	PSB18M	CAP SCREW M4-.7 X 8



# Rear Shaft Breakdown and Parts List

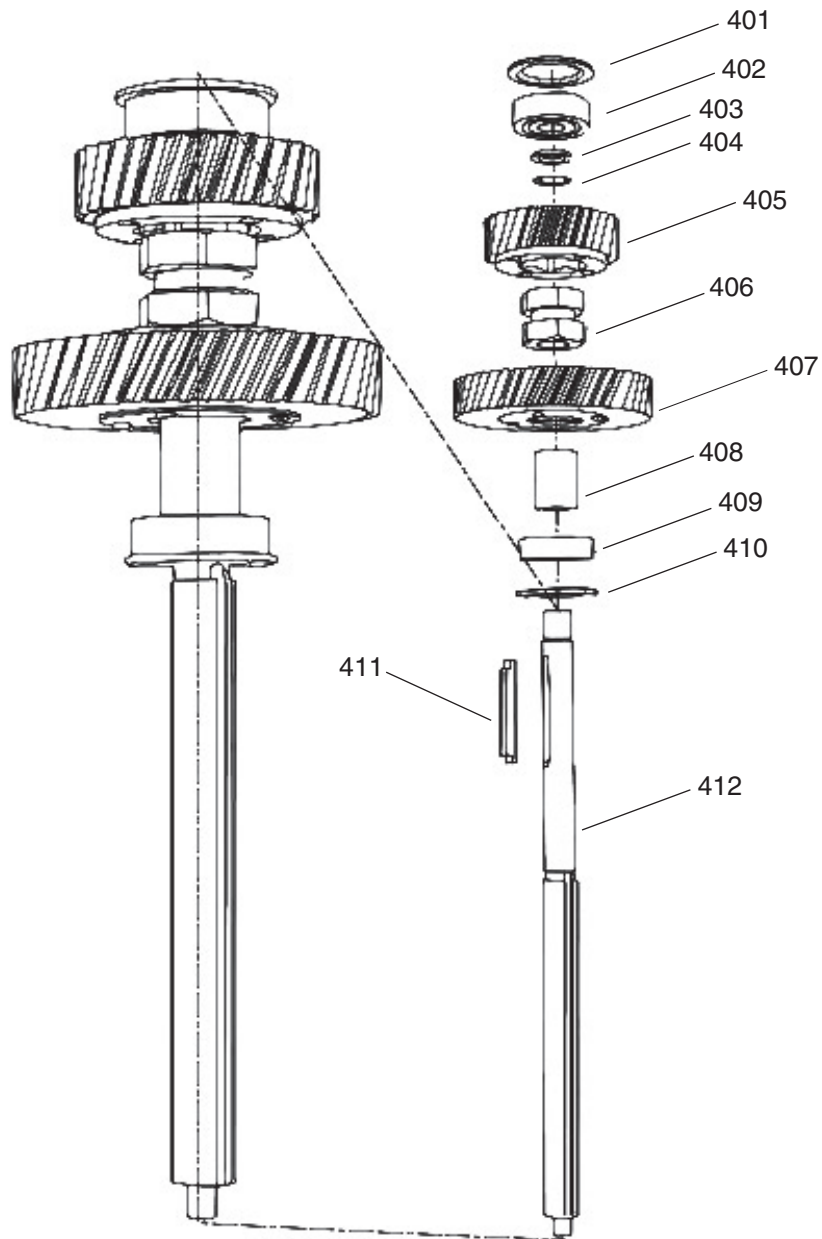


REF	PART #	DESCRIPTION
301	P0483301	BEARING COVER
302	P6203	BALL BEARING 6203
303	P0483303	SPACING SLEEVE 17 X 3.5
304	P0483304	GEAR
305	P0483305	SPACING SLEEVE 17 X 38
306	P0483306	GEAR
307	P0483307	SPACING SLEEVE 17 X 5
308	P0483308	AXLE

REF	PART #	DESCRIPTION
309	PK34M	KEY 5 X 5 X 20
310	PK112M	KEY 5 X 5 X 55
311	P0483311	GEAR
312	P0483312	CLUTCH
313	P0483313	GEAR
314	P0483314	SPACING SLEEVE 17 X 3.5
315	P6203	BALL BEARING 6203
316	P0483316	BEARING COVER



# Front Shaft Breakdown and Parts List

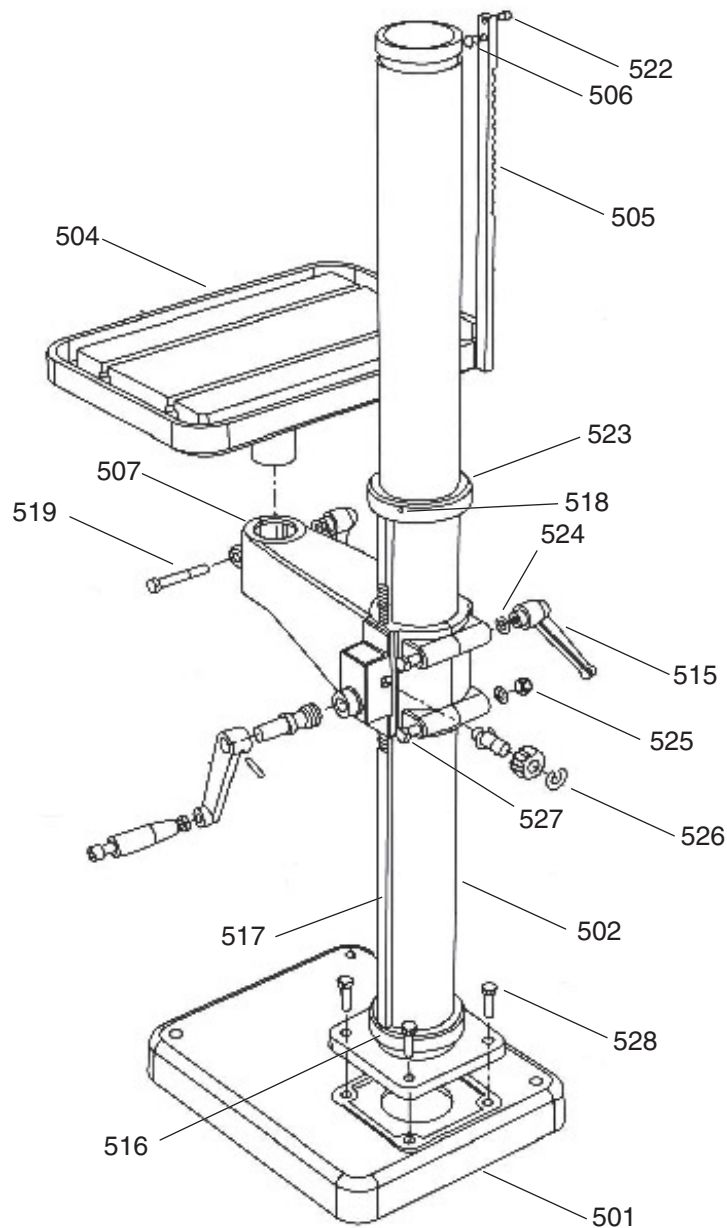


REF	PART #	DESCRIPTION
401	P0483401	BEARING COVER
402	P6302	BEARING 6302
403	P0483403	SPACING SLEEVE
404	PR05M	EXT RETAINING RING 15MM
405	P0483405	GEAR
406	P0483406	CLUTCH

REF	PART #	DESCRIPTION
407	P0483407	GEAR
408	P0483408	SPACING SLEEVE 17 X 31.5
409	P6203	BALL BEARING 6203
410	P0483410	BEARING COVER
411	PK112M	KEY 5 X 5 X 55
412	P0483412	AXLE



# Column Breakdown and Parts List

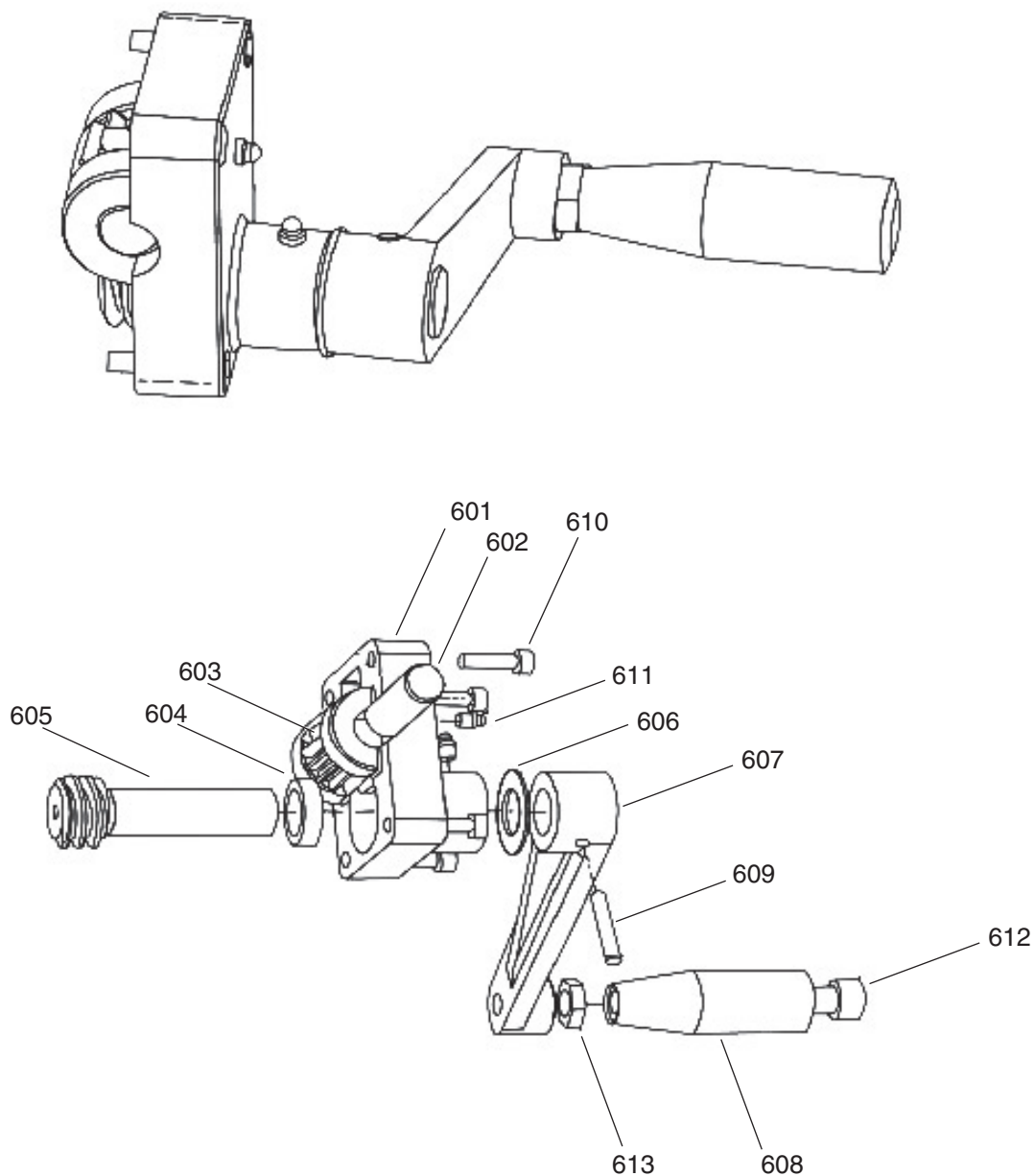


REF	PART #	DESCRIPTION
501	P0483501	BASE
502	P0483502	COLUMN
504	P0483504	TABLE
505	P0483505	UPPER RACK
506	PRP87M	ROLL PIN 12 x 16
507	P0483507	TABLE BRACKET
515	P0483515	LOCKING HANDLE
516	P0483516	LOWER RING 100 x 130 x 20
517	P0483517	LOWER RACK

REF	PART #	DESCRIPTION
518	P0483518	UPPER RING 100 x 130 x 26
519	PB158M	HEX BOLT M12-1.75 X 90
522	PSB26M	CAP SCREW M6-1 X 12
523	PSS20M	SET SCREW M8-1.25 X 8
524	PW06M	FLAT WASHER 12MM
525	PLN09M	LOCK NUT M12-1.75
526	PR54M	INT RETAINING RING 15MM
527	PB143M	HEX BOLT M12-1.75 X 120
528	PB35M	HEX BOLT M12-1.75 X 40



# Table Crank Breakdown and Parts List

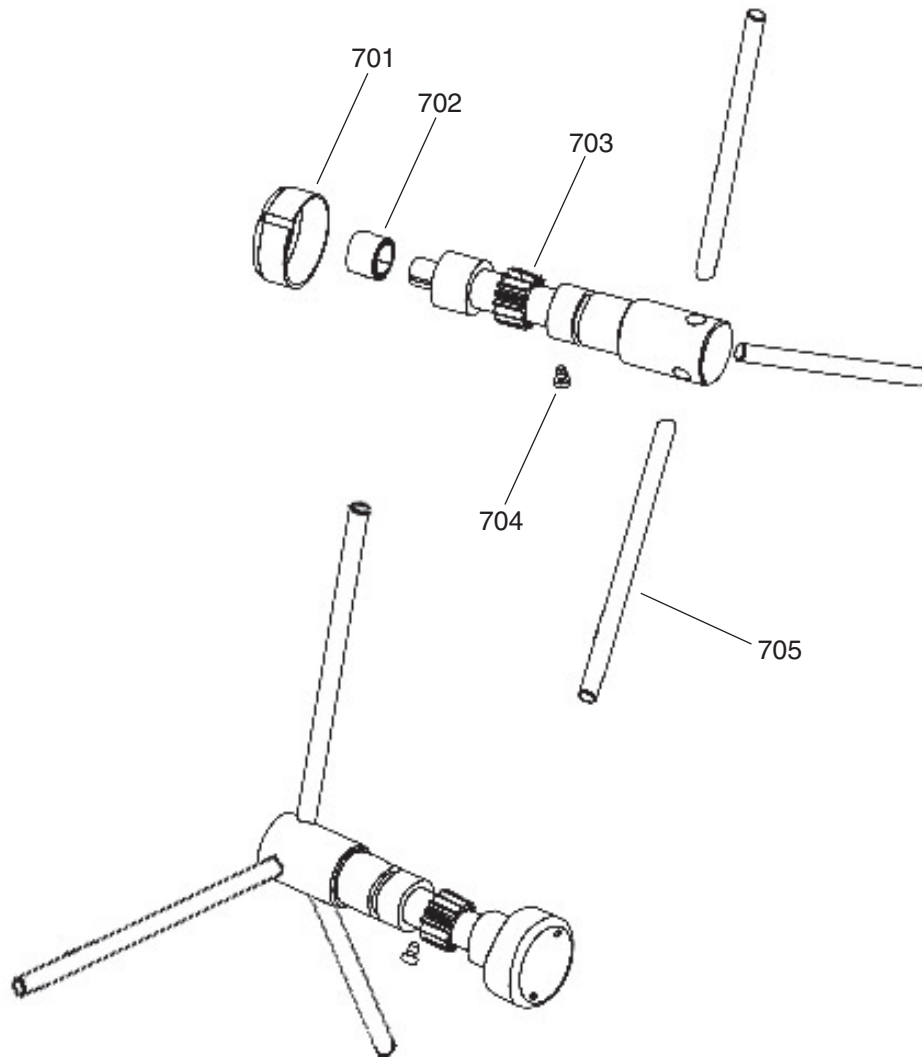


REF	PART #	DESCRIPTION
601	P0483601	CRANK HOUSING
602	P0483602	SHAFT
603	P0483603	GEAR
604	P0483604	SPACER 20 x 25 x 8
605	P0483605	WORM SHAFT
606	PW13M	FLAT WASHER 20MM
607	P0483607	CRANK

REF	PART #	DESCRIPTION
608	P0483608	CRANK HANDLE
609	PSS20M	SET SCREW M8-1.25 X 8
610	PSB07M	CAP SCREW M6-1 x 30
611	PZERK2	GREASE FITTING M6-1 X 5
612	PSB149M	CAP SCREW M12-1.75 x 100
613	PN09M	HEX NUT M12-1.75



# Downfeed Handles Breakdown and Parts List

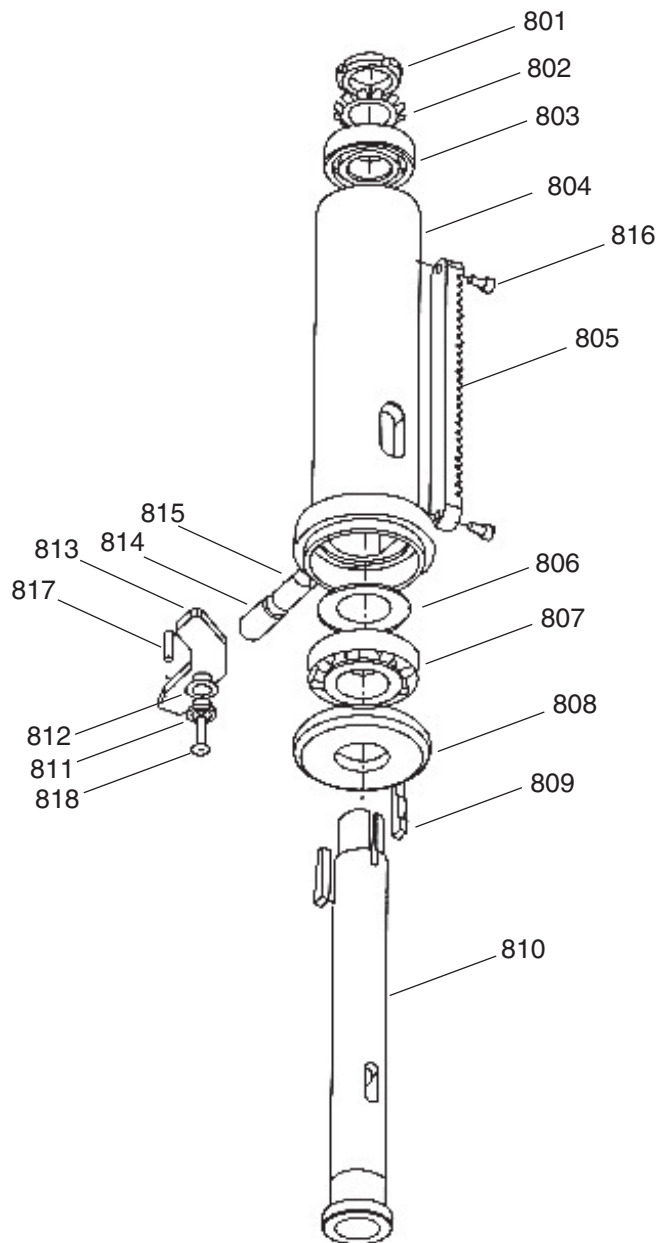


REF	PART #	DESCRIPTION
701	P0483701	SPRING HOUSING
702	P0483702	COIL SPRING
703	P0483703	FEED SHAFT

REF	PART #	DESCRIPTION
704	P0483704	SPECIAL SCREW
705	P0483705	FEED LEVER



# Spindle Breakdown and Parts List

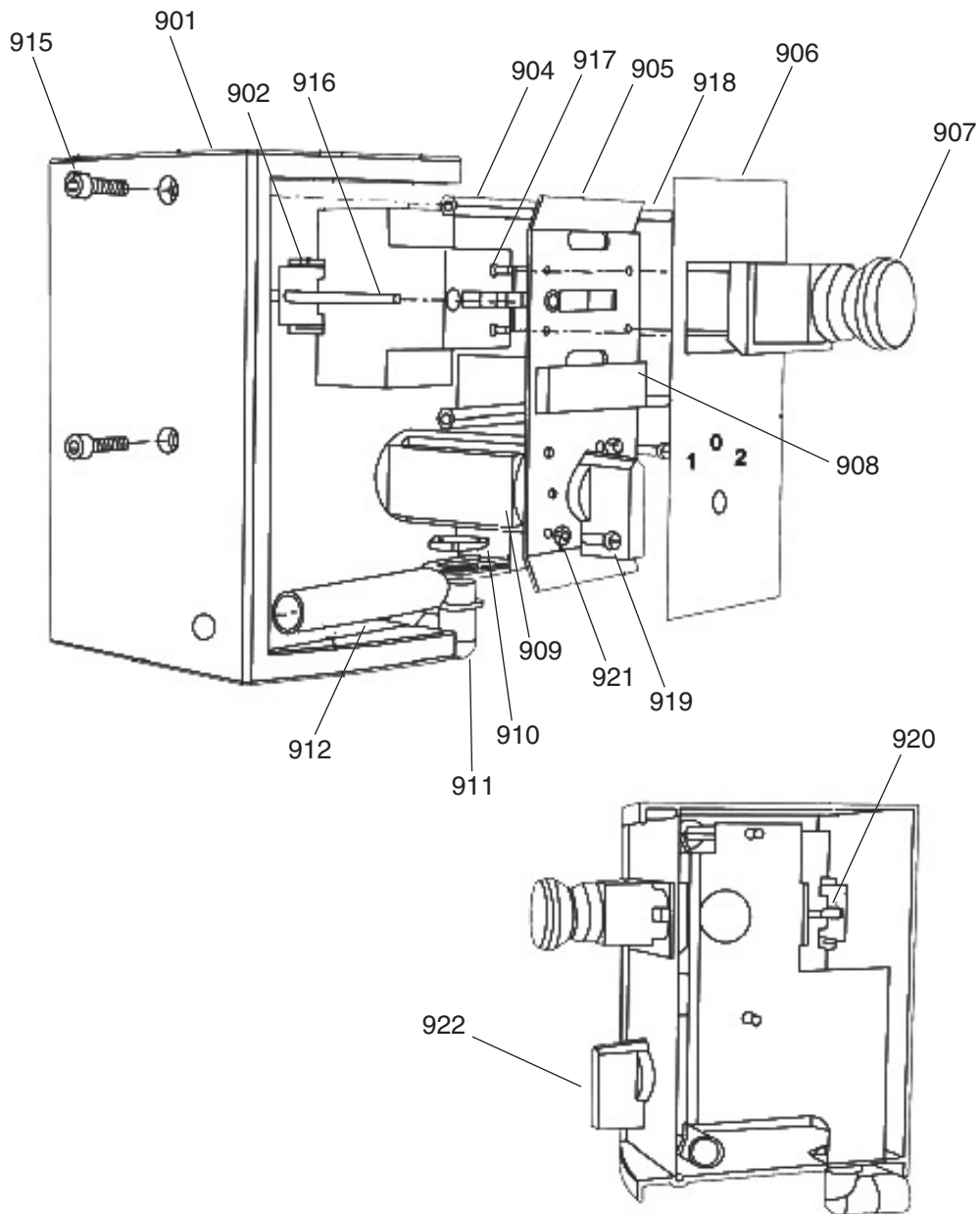


REF	PART #	DESCRIPTION
801	P0483801	SPANNER NUT M25-1.5
802	PLW15M	LOCK WASHER 25MM
803	P6205	BALL BEARING 6205
804	P0483804	SPINDLE SLEEVE
805	P0483805	RACK
806	P0483806	SPECIAL WASHER 52 X 2 X .3
807	P30206	TAPER ROLLER BEARING 30206
808	P0483808	BEARING COVER
809	P0483809	KEY 35 X 5 X 9

REF	PART #	DESCRIPTION
810	P0483810	SPINDLE
811	P0483811	SPACING SLEEVE
812	PLW06M	LOCK WASHER 10MM
813	P0483813	STOP
814	PSS88M	SET SCREW M16-2 X 25
815	P0483815	COLLET JAW
816	PSB50M	CAP SCREW M5-.8 X 10
817	PRP03M	ROLL PIN 5 X 20
818	PSB15M	CAP SCREW M5-.8 X 20



# Electric Box Breakdown and Parts List

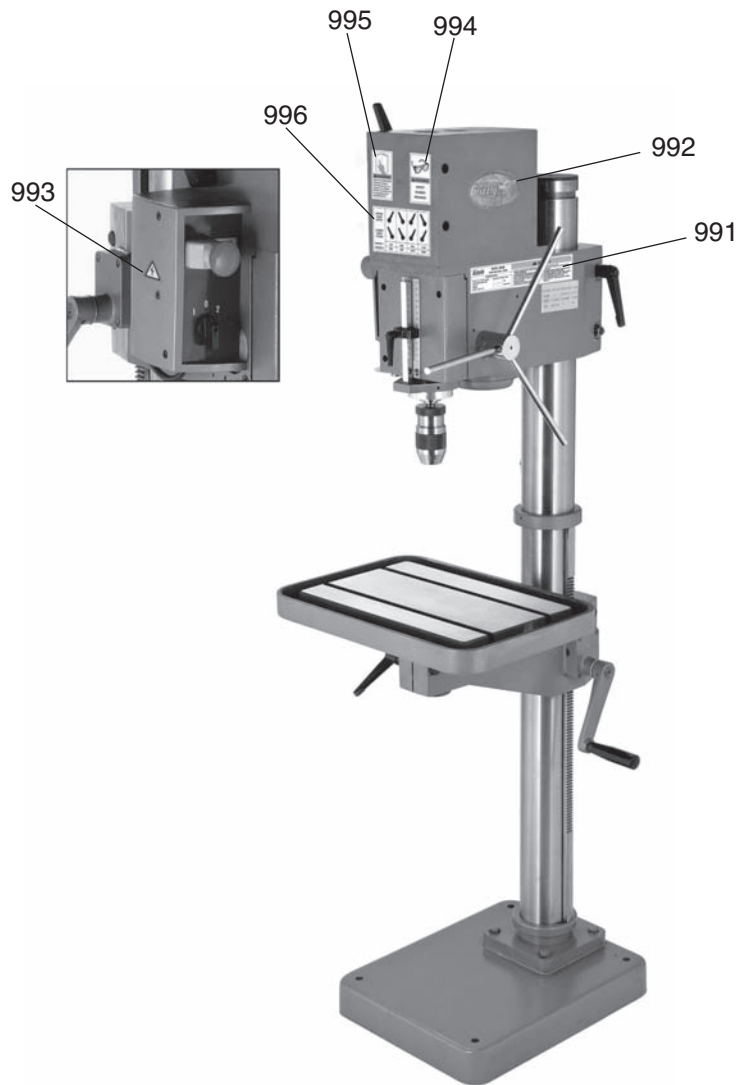


REF	PART #	DESCRIPTION
901	P0483901	ELECTRIC BOX COVER
902	P0483902	RAIL ANCHOR
904	P0483904	THREADED HEX ROD M5-.8
905	P0483905	ANCHOR PLATE
906	P0483906	ELECTRIC BOX PLATE
907	P0483907	SWITCH ASSEMBLY
908	P0483908	RUBBER MOULDING 15 X 8
909	P0483909	SPEED SELECTOR
910	PN15M	HEX NUT M18-1.5
911	PZERK4	GREASE FITTING M18-1.5 x 5

REF	PART #	DESCRIPTION
912	P0483912	PROTECTION CONDUIT
915	PSB33M	CAP SCREW M5-.8 X 12
916	PSB150M	CAP SCREW M4-.7 X 80
917	PS21M	PHLP HD SCR M4-.7 X 15
918	P0483918	SUPPORT SCREW M5-.8
919	PS02M	PHLP HD SCR M4-.7 X 12
920	PSB22M	CAP SCREW M4-.7 X 35
921	PN04M	HEX NUT M4-.7
922	P0483922	SPEED SELECTOR SWITCH



# G0483 Label Placement



REF	PART #	DESCRIPTION
991	P0483991	MACHINE ID LABEL
992	G9987	GRIZZLY NAMEPLATE
993	PLABEL-14	ELECTRICITY LABEL

REF	PART #	DESCRIPTION
994	PLABEL-11	SAFETY GLASSES 2" X 3-5/16"
995	PLABEL-12	READ MANUAL 2" X 3-5/16"
996	P0483996	P0483 SPEED CHART LABEL

## WARNING

Safety labels warn about machine hazards and ways to prevent injury. The owner of this machine **MUST** maintain the original location and readability of the labels on the machine. If any label is removed or becomes unreadable, **REPLACE** that label before using the machine again. Contact Grizzly at (800) 523-4777 or [www.grizzly.com](http://www.grizzly.com) to order new labels.

