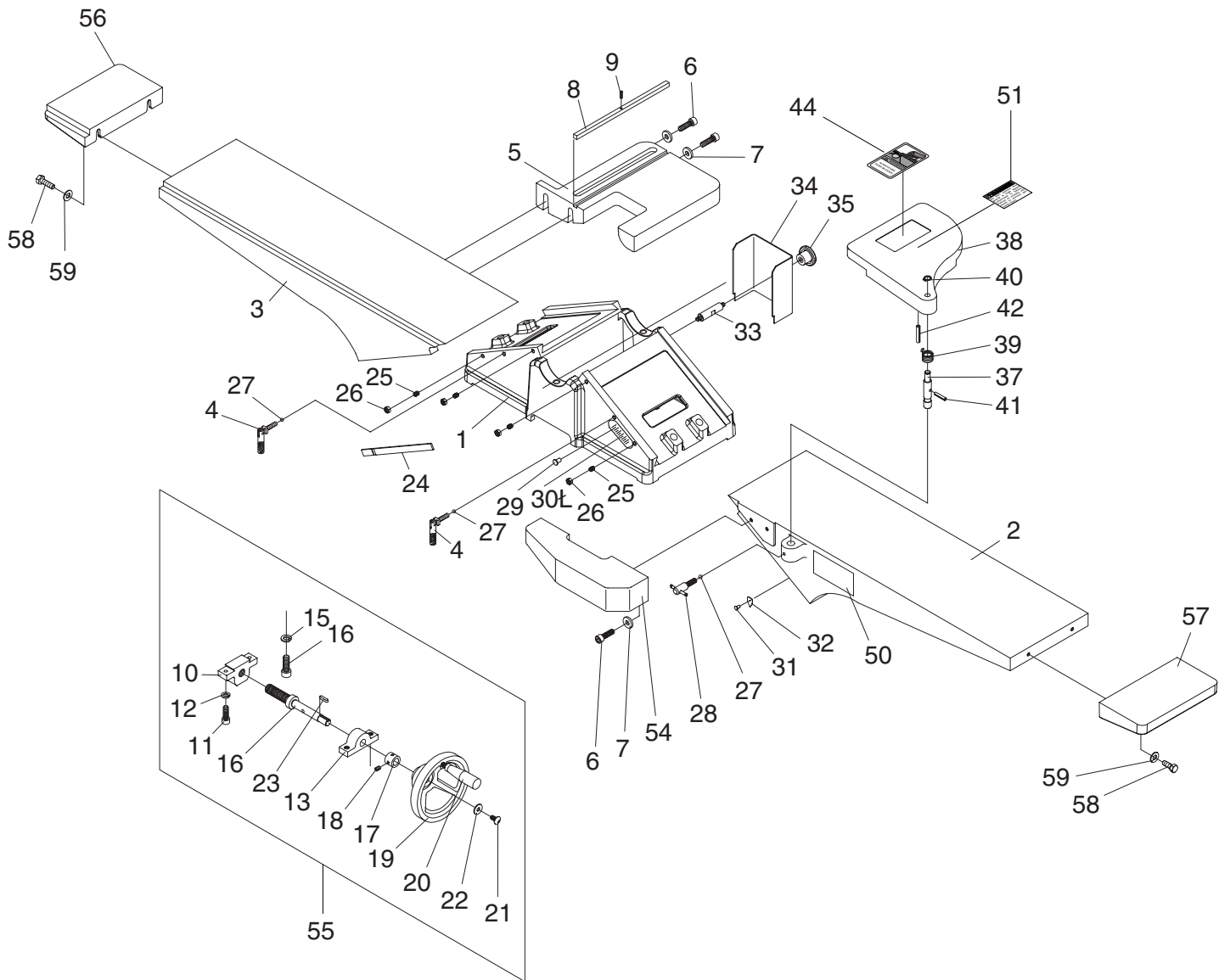
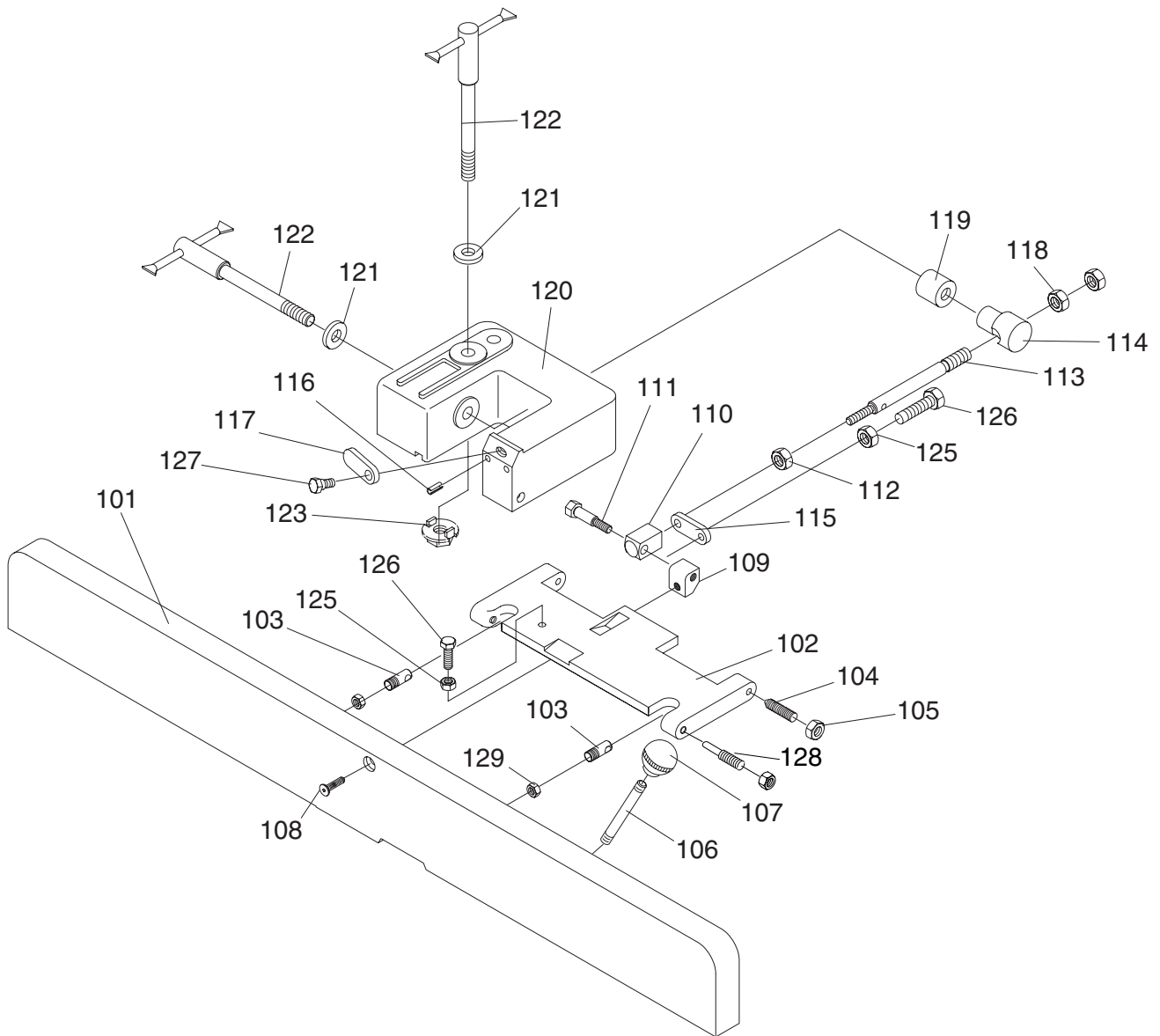


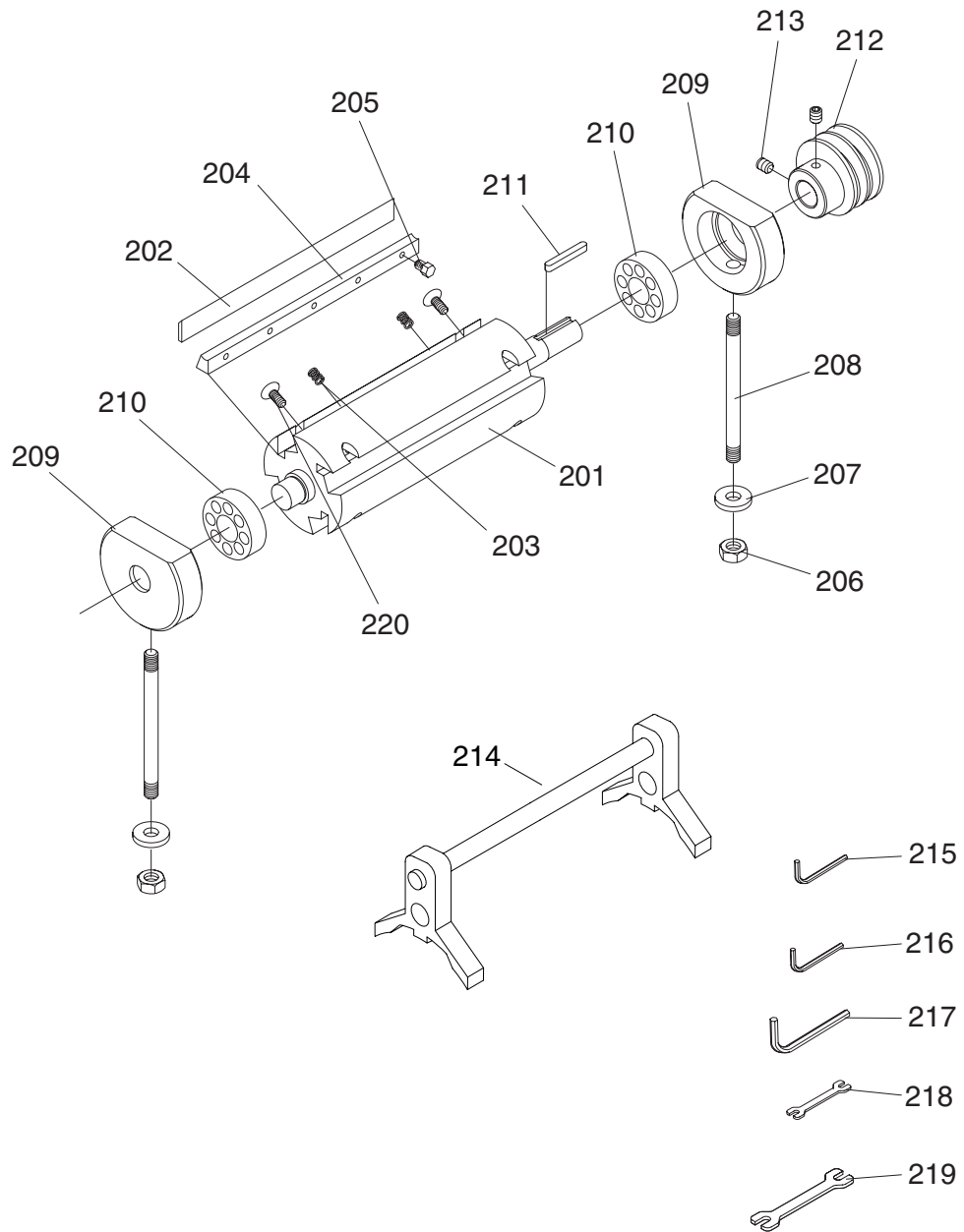
G0500



G0500



G0500



REF	PART #	DESCRIPTION
1	PG1018HW001	BASE
2	P0500002	INFEED TABLE
3	P0500003	OUTFEED TABLE
4	PG1018004	LOCK HANDLE
5	PG1018033	FENCE SUPPORT
6	PSB26	CAP SCREW 3/8"-16 X 1 1/2"
7	PW02	FLAT WASHER 3/8"
8	PG1018034	KEY
9	PRP19M	ROLL PIN 4 X 14
10	PG1018HW010	FEED SCREW BRACKET
11	PSB19	CAP SCREW 3/8"-16 x 1 1/4"
12	PLW04	LOCK WASHER 3/8"
13	PG1018HW013	BRACKET
15	PLW07	LOCK WASHER 1/2"
16	PG1018HW016	HANDWHEEL SHAFT
17	PG1018HW017	RING
18	PSS03	SET SCREW 1/4"-20 X 3/8"
19	PG1018HW019	HANDWHEEL
20	PG1018HW020	HANDLE
21	PS38	PHLP HD SCR 5/16"-18 X 1/2"
22	PW07	FLAT WASHER 5/16"
23	PK21M	KEY 5 X 5 X 23MM
24	PG1018005	GIB
25	PSS01	SET SCREW 5/16"-18 X 1
26	PN02	HEX NUT 5/16"-18
27	PG1018HW027	BALL 6MM
28	PG1018037	GUARD LOCK HANDLE
29	PG1182028	RIVET 2 X 5
30	PG1018027	SCALE
31	PS41	PHLP HD SCR #6-32 X 1/4"
32	PG1182027	DEPTH POINTER
33	PG1018039	SPEC DBL END STUD
34	PG1018014	BELT GUARD
35	PG1018016	KNOB
37	PG1018022	GUARD PIVOT SHAFT
38	PG10180018	CUTTERHEAD GUARD
39	PG1018025	SPRING
40	PR48M	EXT RETAINING RING 11MM
41	PRP27M	ROLL PIN 5 X 28
42	PRP31M	ROLL PIN 6 X 36
44	PLABEL-29	CUTTERHEAD WARNING
50	P0500050	METAL NAME PLATE
51	PG1018017A	USE PUSH BLOCKS LABEL
54	PG1018HW054	RABBET ARM
55	PG1018HW055	HANDWHEEL ASSEMBLY
56	P0500056	OUTFEED EXTENSION
57	P0500057	INFEED EXTENSION
58	PB03	HEX BOLT 5/16"-18 X 1"
59	PW07	FLAT WASHER 5/16"

REF	PART #	DESCRIPTION
101	PG1018101	FENCE
102	PG1018102	FENCE HINGE
103	PG1182102	PIVOT STUD
104	PG1182104	SPECIAL SCREW
105	PN08	HEX NUT 3/8"-16
106	PG1182106	TILT LEVER
107	PG1182107	TILT LEVER KNOB
108	PG1182108	SPECIAL SCRW 5/16"-18 X 1 5/8"
109	PG1182109	FENCE BRACKET
110	PG1018110	FENCE STOP BRACKET
111	PG1182111	SPECIAL CAP SCREW
112	PN10	HEX NUT 7/16"-20
113	PG1018113	FENCE ADJUSTMENT ROD
114	PG1182114	FENCE TILT CLAMP
115	PG1182115	90° STOP TAB
116	PRP18M	ROLL PIN 4 x 12MM
117	PG1182118	STOP TAB
118	PN09	HEX NUT 5/8"-18
119	PG1182120	FENCE TILT SLEEVE
120	PG1018120	FENCE BASE
121	PW01	FLAT WASHER 1/2"
122	PG1182123	LOCKING SCREW
123	PG1182124	SPECIAL NUT
125	PN02	HEX NUT 5/16"-18
126	PB22	HEX BOLT 5/16"-18 x 1 3/4"
127	PG1182117	SPECIAL BOLT
128	PG1018128	SPECIAL SETSCREW
129	PN01	HEX NUT 1/2"-20 X 1/4"

G0500

REF	PART #	DESCRIPTION
201	P0500201	CUTTERHEAD
202	H4982	KNIVES, SET OF FOUR
203	P1021103	SPRING
204	PG1018204	KNIFE GIB
205	P1017117	HEX HD GIB BOLT
206	PN11	HEX NUT 3/8"-24
207	PLW04	LOCK WASHER 3/8"
208	PG1018208	STUD
209	PG1018209	BEARING BLOCK
210	P6204ZZ	BALL BEARING 6204ZZ
211	PK01M	KEY 5 x 5 x 22MM
212	PG1018212	PULLEY
213	PSS17	SETSCREW 5/16" - 18 x 5/16"
214	PG1018214A	KNIFE SETTING GAUGE
215	PAW03M	HEX WRENCH 3MM
216	PAW04M	HEX WRENCH 4MM
217	PAW05M	HEX WRENCH 5MM
218	PWR810	OPEN WRENCH 8 X 10
219	PWR1214	OPEN WRENCH 12 X 14
220	P0500220	JACK SCREW

REF	PART #	DESCRIPTION
301	PG1018301	STAND
302	PG1018302	MOTOR MOUNT
303	PG1018303	DOOR
304	PG1018304	KNOB
305	PN1018305	LATCH
306	PN08	HEX NUT 3/8"-16
307	PG1018307	MOTOR PULLEY
308	PSS15	SETSCREW 3/8"-16 x 3/8"
309	PVM52	V-BELT M52
310	PB07	HEX BOLT 5/16"-18 x 3/4"
312	PW02	FLAT WASHER 3/8"
313	PN02	HEX NUT 5/16"-18
314	PB53	HEX BOLT 1/2"-12 x 1"
315	PW01	FLAT WASHER 1/2"
316	P0500316	MOTOR 2HP, 110/220
316A	P0500316A	FAN COVER FOR MOTOR
317	PK12M	KEY 5 X 5 X 30MM
318	PWRCRD220S	POWER CORD
319	P0500319	MAG SWITCH SDE
320	PS18	PHLP HD SCR 10-24 x 1/2"
322	P1071075	STRAIN RELIEF
324	PWRCRD220L	POWER CORD
325	PSW01-1	SWITCH COVER SCREW
326	G8588	GRIZZLY LOGO PLATE
327	PLW06	LOCK WASHER 5/8"
328	P0500328	STRAIN RELIEF 2-PC
329	PLABEL-11	SAFETY GLASSES LABEL
330	P0500330	ID/WARNING LABEL
331	PLABEL-12	READ MANUAL LABEL
332	PLABEL-14	ELECTRICITY LABEL
333	PG1018031	MOUNTING BOLT
334	PLW04	LOCK WASHER 3/8"