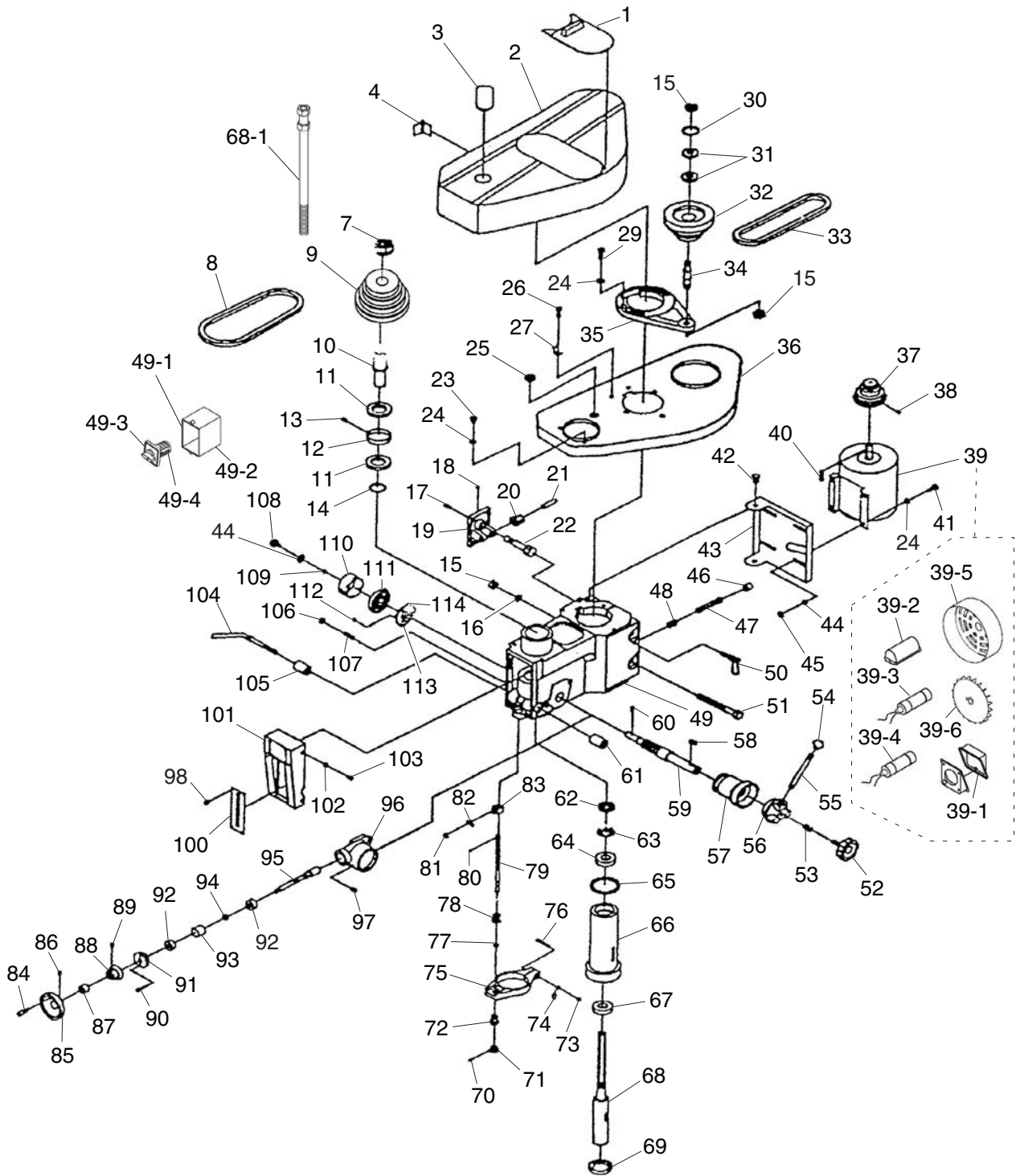


SECTION 8: PARTS

Head Breakdown



Head Parts List

REF	PART #	DESCRIPTION
1	P0520001	COVER BOARD
2	P0520002	UPPER COVER
3	P0520003	DRAWBAR CAP
4	P0520004	HINGE
7	PN12M	HEX NUT M42-1.5
8	PVB46	V-BELT B-46 5L460
9	P0520009	SPINDLE PULLEY
10	P0520010	SPLINED SLEEVE
11	P6009	BALL BEARING 6009ZZ
12	P0520012	COLLAR
13	PB06M	HEX BOLT M8-1.25 X 12
14	PR12M	EXT RETAINING RING 35MM
15	PN13M	HEX NUT M16-2
16	PW08M	FLAT WASHER 16MM
17	PB08M	HEX BOLT M6-1 X 20
18	P0520018	BALL OILER
19	P0520019	BRACKET
20	P0520020	GEAR
21	P0520021	SPECIAL SCREW
22	P0520022	WORM
23	PS16M	PHLP HD SCR M8-1.25 x 16
24	PW01M	FLAT WASHER 8MM
25	P0520025	SEPARATING RING
26	PSB11M	CAP SCREW M8-1.25 X 16
27	P0520027	CABLE CLIP
29	PB26M	HEX BOLT M8-1.25 X 30
30	PR25M	INT RETAINING RING 47MM
31	P6204	BALL BEARING 6204ZZ
32	P0520032	IDLER PULLEY
33	PVB35	V-BELT B-35 5L350
34	P0520034	IDLER PULLEY SHAFT
35	P0520035	PULLEY SUPPORT
36	P0520036	LOWER COVER
37	P0520037	MOTOR PULLEY
38	PB02M	HEX BOLT M6-1 X 12
39	P0520039	MOTOR 2HP 220V 1PH
39-1	P0520039-1	MOTOR WIRING JUNCTION BOX
39-2	P0520039-2	CAPACITOR COVER
39-3	P0520039-3	S CAPACITOR 150M 250V 2 X 3-1/4
39-4	P0520039-4	R CAPACITOR 35M 450V 2 X 3-1/4
39-5	P0520039-5	MOTOR FAN COVER
39-6	P0520039-6	MOTOR FAN
40	PK118M	KEY 8 X 7 X 50
41	PB07M	HEX BOLT M8-1.25 X 25
42	PB25M	HEX BOLT M12-1.75 X 25
43	P0520043	MOTOR MOUNT
44	PW01M	FLAT WASHER 8MM
45	PN03M	HEX NUT M8-1.25
46	P0520046	RUBBER COLLAR
47	P0520047	TENSION PIN

REF	PART #	DESCRIPTION
48	P0520048	SPRING 1.4 X 12 X 80
49	P0520049	HEAD CASTING
49-1	P0520049-1	SWITCH COVER
49-2	P0520049-2	SWITCH BOX
49-3	P0520049-3	CLEAR SWITCH COVER
49-4	P0520049-4	SPINDLE SWITCH
50	P0520050	MOTOR LOCK HANDLE
51	P0520051	HEX BOLT M16-2 X 150
52	P0520052	STAR KNOB
53	P0520053	SPRING 2 X 16 X 25
54	P0520054	KNOB
55	P0520055	HANDLE ROD
56	P0520056	HANDLE BODY
57	P0520057	HOUSING
58	P0520058	KEY 8 X 7 X 22
59	P0520059	GEAR SHAFT
60	PSB17M	CAP SCREW M4-.7 X 10
61	P0520061	THREADED BUSHING
62	P0520062	HEX NUT M30-1.5
63	P0520063	WASHER 30MM
64	P30207	TAPERED ROLLER BEARING 30207
65	PR64M	INT RETAINING RING 72MM
66	P0520066	QUILL
67	P30207	TAPERED ROLLER BEARING 30207
68	P0520068	SPINDLE
68-1	P0520068-1	DRAWBAR
69	P0520069	BEARING CAP
70	P0520070	PIN
71	P0520071	KNOB
72	P0520072	LOCATING SLEEVE
73	PN01M	HEX NUT M6-1
74	PW03M	FLAT WASHER 6MM
75	P0520075	DOWNFEED SUPPORT
76	PB39M	HEX BOLT M6-1 X 50
77	PN13M	HEX NUT M16-2
78	P0520078	FIXED NUT M20-1.5
79	P0520079	ADJUSTABLE ROD
80	P0520080	PIN
81	PS17M	PHLP HD SCR M4-.7 x 6
82	P0520082	POINTER
83	P0520083	QUILL DOG
84	P0520084	HANDLE
85	P0520085	SMALL HANDWHEEL
86	PSB03M	CAP SCREW M5-.8 X 8
87	P0520087	ADAPTER SLEEVE
88	P0520088	GRADUATED DIAL
89	PSB33M	CAP SCREW M5-.8 X 12
90	PSB24M	CAP SCREW M5-.8 X 16
91	P0520091	BEARING CAP
92	P6202	BALL BEARING 6202ZZ



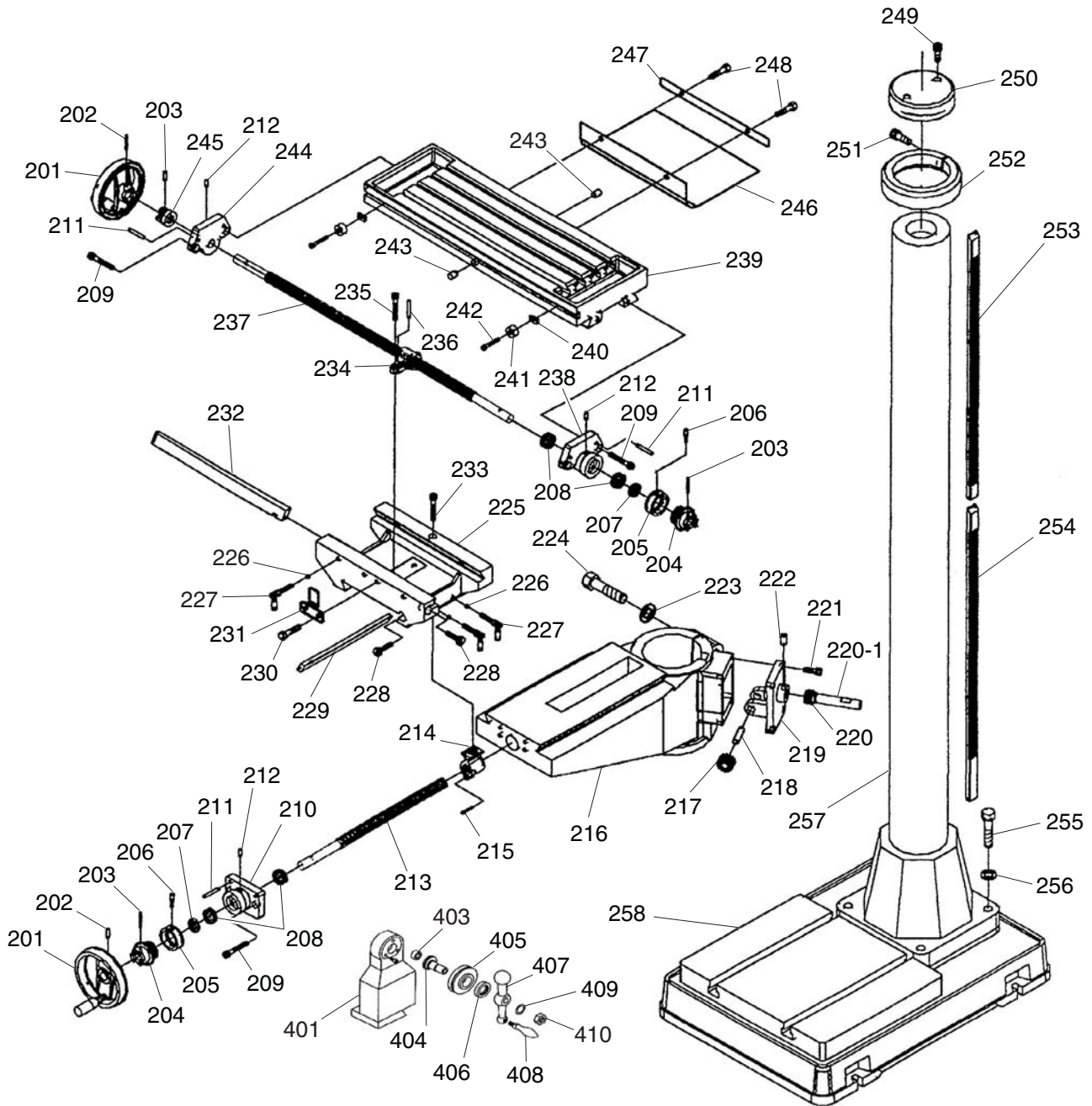
Head Parts List

REF	PART #	DESCRIPTION
93	P0520093	BUSHING
94	P0520094	SPACER
95	P0520095	FEED WORM SHAFT
96	P0520096	DOWNFEED HOUSING
97	PSB14M	CAP SCREW M8-1.25 X 20
98	P0520098	TAP SCREW 2.9 X 9.5
100	P0520100	SCALE
101	P0520101	HEAD COVER
102	PW03M	FLAT WASHER 6MM
103	PSB26M	CAP SCREW M6-1 X 12
104	P0520104	LOCK HANDLE

REF	PART #	DESCRIPTION
105	P0520105	LOCKING PLUNGER
106	PN02M	HEX NUT M10-1.5
107	PB14M	HEX BOLT M10-1.5 X 35
108	P0520108	STAR KNOB
109	PLW03M	LOCK WASHER 6MM
110	P0520110	SPRING CAP
111	P0520111	TORSION SPRING
112	PSB33M	CAP SCREW M5-.8 X 12
113	P0520113	SHAFT SLEEVE
114	P0520114	PIN



Base & Table Breakdown



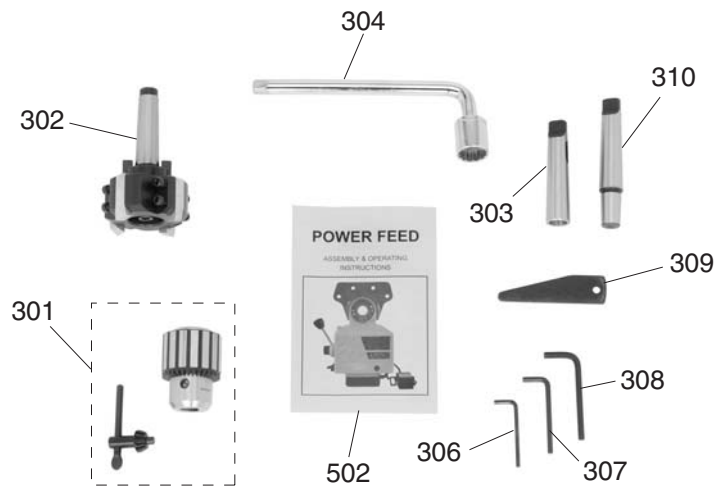
Base & Table Parts List

REF	PART #	DESCRIPTION
201	P0520201	HANDWHEEL
202	PSB68M	CAP SCREW M6-1 X 8
203	P0520203	PIN
204	P0520204	SCALE BASE
205	P0520205	GRADUATED DIAL
206	PSB33M	CAP SCREW M5-.8 X 12
207	P0520207	SPECIAL WASHER
208	P51103	THRUST BEARING 51103
209	PB09M	HEX BOLT M8-1.25 X 20
210	P0520210	CROSS LEADSCREW BRACKET
211	P0520211	PIN
212	P0520018	BALL OILER
213	P0520213	CROSS LEADSCREW
214	P0520214	CROSS LEADSCREW NUT
215	PB107M	HEX BOLT M5-.8 X 12
216	P0520216	KNEE
217	P0520217	PINION GEAR
218	P0520218	PIN
219	P0520219	ELEVATION BRACKET
220	P0520220	ELEVATION WORM
220-1	P0520220-1	ELEVATION SHAFT
221	PB83M	HEX BOLT M6-1 X 16
222	P0520018	BALL OILER
223	PW08M	FLAT WASHER 16MM
224	PB131M	HEX BOLT M16-2 X 70
225	P0520225	SADDLE
226	P0520226	STEEL BALL
227	P0520227	LOCK SCREW M8-1.25 X 35
228	P0520228	GIB ADJUST SCREW M8-1.25 X 35
229	P0520229	SADDLE GIB
230	PB06M	HEX BOLT M8-1.25 X 12
231	P0520231	LIMIT BLOCK
232	P0520232	TABLE GIB
233	PB166M	HEX BOLT M8-1.25 X 50

REF	PART #	DESCRIPTION
234	P0520234	LONGITUDINAL LEADSCREW NUT
235	PB09M	HEX BOLT M8-1.25 X 20
236	P0520236	PIN
237	P0520237	LONGITUDINAL LEADSCREW
238	P0520238	LEADSCREW BRACKET RIGHT
239	P0520239	TABLE
240	P0520240	T-NUT M6-1
241	P9977811	LIMIT STOP
242	PB02M	HEX BOLT M6-1 X 12
243	P0520018	BALL OILER
244	P0520244	LEADSCREW BRACKET LEFT
245	P0520245	HANDWHEEL CLUTCH
246	P0520246	WAY COVER
247	P0520247	WAY COVER BRACE
248	PB06M	HEX BOLT M8-1.25 X 12
249	PB07M	HEX BOLT M8-1.25 X 25
250	P0520250	COLUMN LID
251	PSB77M	CAP SCREW M12-1.75 X 30
252	P0520252	COLLAR
253	P0520253	HEAD RACK
254	P0520254	TABLE RACK
255	PB80M	HEX BOLT M16-2 X 55
256	PW08M	FLAT WASHER 16MM
257	P0520257	COLUMN
258	P0520258	BASE
401	P0520401	POWER FEED
403	P0520403	BUSHING
404	P0520404	GEAR SHAFT
405	P0520405	GEAR
406	P0520406	COLLAR
407	P0520407	BALL HANDLE
408	P0520408	HANDLE
409	P0520409	SPECIAL WASHER
410	P0520410	SPECIAL HEX NUT



Accessories Breakdown & Parts List

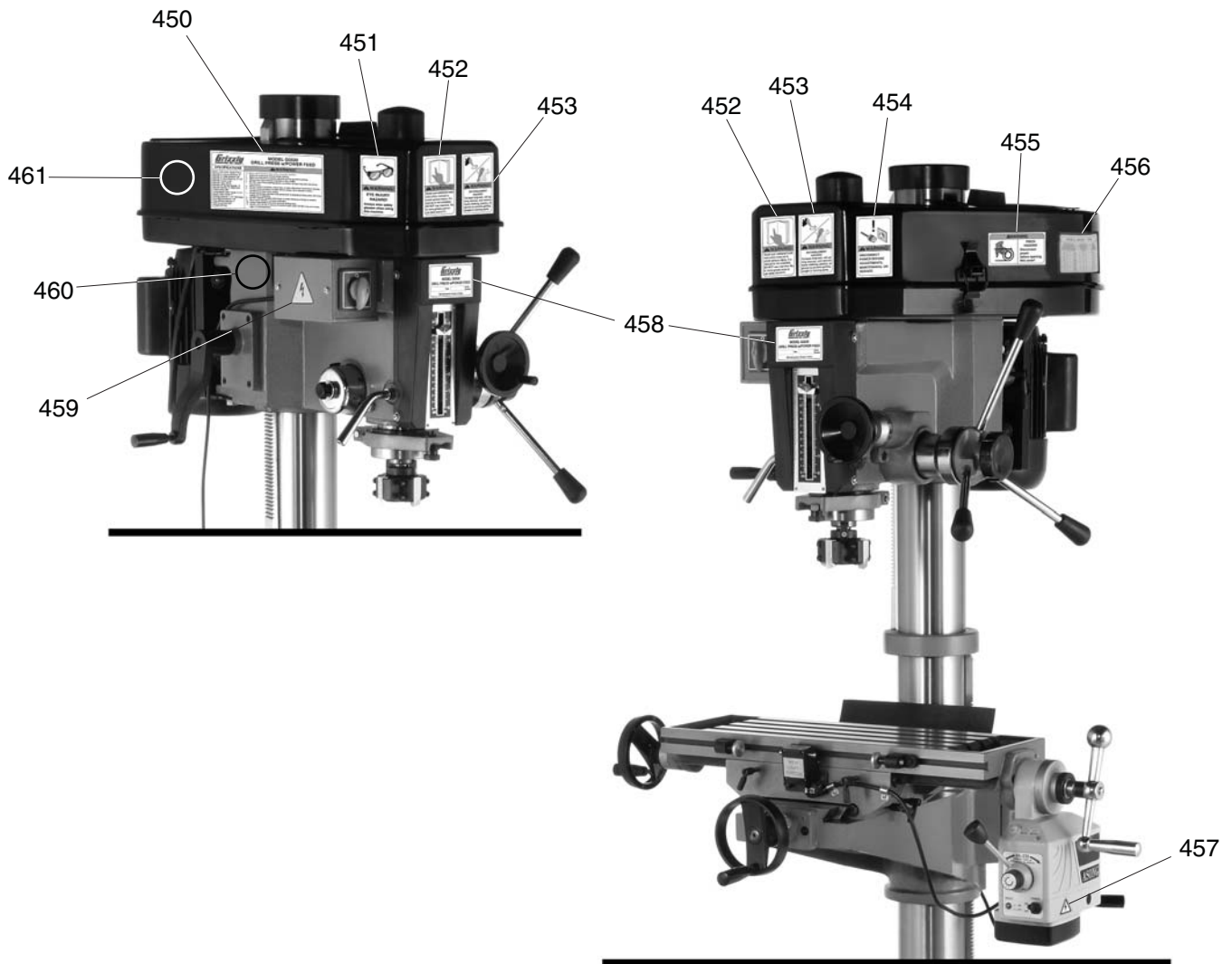


REF	PART #	DESCRIPTION
301	P0520301	DRILL CHUCK W/KEY JT#3
302	P0520302	FACE MILL W/ARBOR MT#3 3-1/8"
303	P0520303	SLEEVE MT#3-MT#2
304	P0520304	SOCKET WRENCH 24MM
306	PAW04M	HEX WRENCH 4MM

REF	PART #	DESCRIPTION
307	PAW05M	HEX WRENCH 5MM
308	PAW06M	HEX WRENCH 6MM
309	P0520309	DRIFT KEY #3
310	P0520310	ARBOR MT#3-JT#3
502	P0520MANUAL-1	MANUAL FOR G0520 PWR FEED



Label Placement



REF	PART #	DESCRIPTION
450	P0520450	MACHINE ID LABEL
451	PLABEL-11A	EYE INJURY LABEL VL
452	PLABEL-12A	READ MANUAL LABEL VL
453	PLABEL-55	ENTANGLEMENT HAZARD LABEL VL
454	PLABEL-63	DISCONNECT LABEL 220V VL
455	P0520455	PINCH HAZARD LABEL

REF	PART #	DESCRIPTION
456	P0520456	SPINDLE SPEED LABEL
457	PLABEL-14B	ELECTRICITY LABEL SM
458	P0520458	MACHINE DATE/SN LABEL
459	PLABEL-14	ELECTRICITY LABEL LG
460	PPAINT-1	GRIZZLY GREEN TOUCH UP PAINT
461	PPAINT-7	GLOSSY BLACK TOUCH UP PAINT

WARNING

Safety labels warn about machine hazards and ways to prevent injury. The owner of this machine **MUST** maintain the original location and readability of the labels on the machine. If any label is removed or becomes unreadable, **REPLACE** that label before using the machine again. Contact Grizzly at (800) 523-4777 or www.grizzly.com to order new labels.

