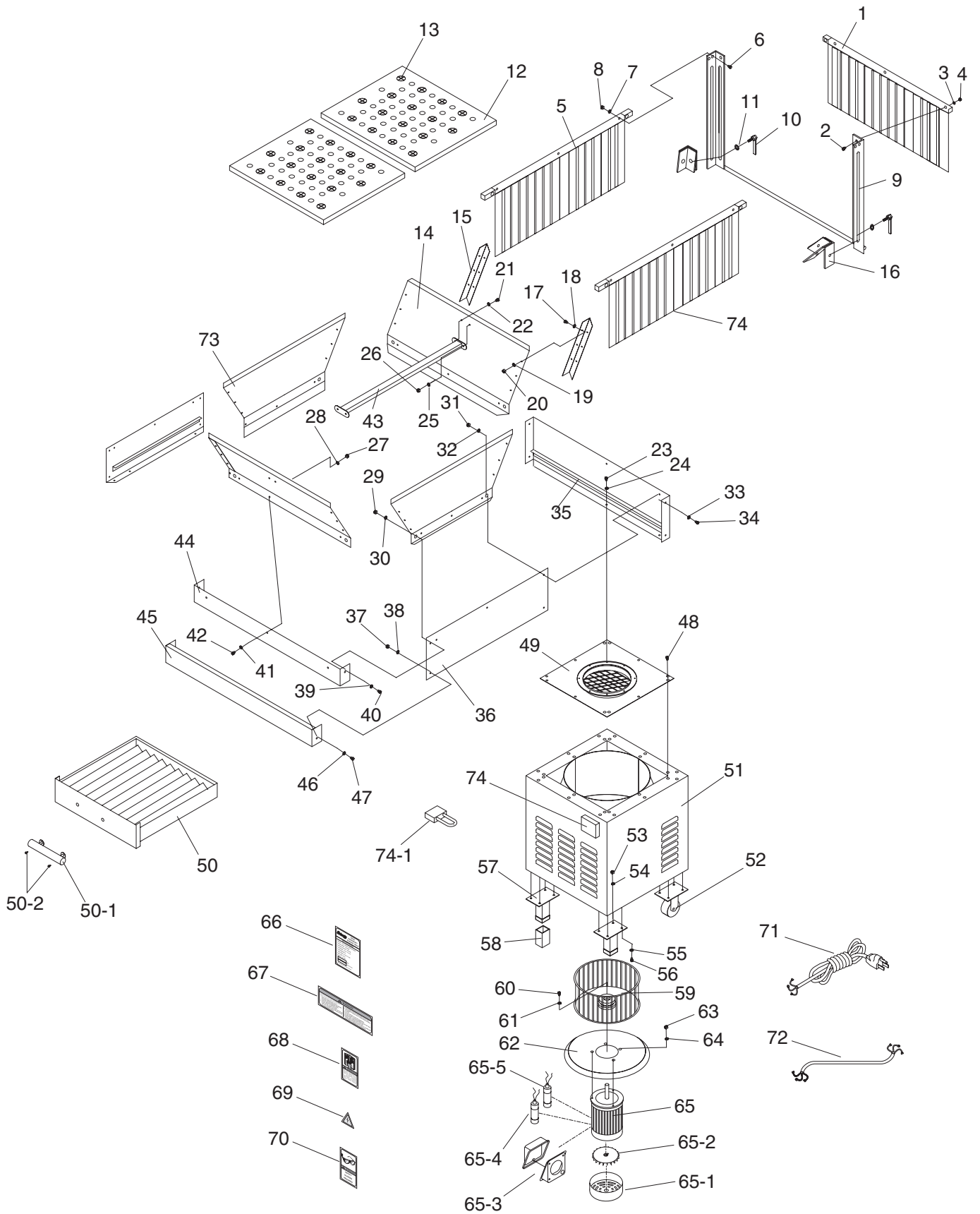


G0535



G0535 Parts List

REF	PART #	DESCRIPTION
1	P0535001	REAR CURTAIN
2	P0534002	FLAT HD SCR 1/4-20 X 7/8
3	PW06	FLAT WASHER 1/4
4	PN05	HEX NUT 1/4-20
5	P0535005	SIDE CURTAIN
6	P0534002	FLAT HD SCR 1/4-20 X 7/8
7	PW06	FLAT WASHER 1/4
8	PN05	HEX NUT 1/4-20
9	P0535009	CURTAIN FRAME
10	P0534010	LOCK HANDLE 5/16-18 X 1
11	PW07	FLAT WASHER 5/16
12	P0535012	TABLE BOARD
13	P0534013	RUBBER GROMMET
14	P0535014	FRONT/REAR SKEWED WALL
15	P0535015	ANGLE BRACKET
16	P0535016	CURTAIN BRACKET
17	PB02	HEX BOLT 1/4-20 X 5/8
18	PW06	FLAT WASHER 1/4
19	PW06	FLAT WASHER 1/4
20	PN05	HEX NUT 1/4-20
21	PB02	HEX BOLT 1/4-20 X 5/8
22	PW06	FLAT WASHER 1/4
23	PB02	HEX BOLT 1/4-20 X 5/8
24	PW06	FLAT WASHER 1/4
25	PW06	FLAT WASHER 1/4
26	PN05	HEX NUT 1/4-20
27	PN05	HEX NUT 1/4-20
28	PW06	FLAT WASHER 1/4
29	PN05	HEX NUT 1/4-20
30	PW06	FLAT WASHER 1/4
31	PN05	HEX NUT 1/4-20
32	PW06	FLAT WASHER 1/4
33	PW06	FLAT WASHER 1/4
34	PB02	HEX BOLT 1/4-20 X 5/8
35	P0535035	REAR FILTER WALL
36	P0535036	SIDE FILTER WALL
37	PN05	HEX NUT 1/4-20
38	PW06	FLAT WASHER 1/4
39	PW06	FLAT WASHER 1/4
40	PB02	HEX BOLT 1/4-20 X 5/8
41	PW06	FLAT WASHER 1/4

REF	PART #	DESCRIPTION
42	PB02	HEX BOLT 1/4-20 X 5/8
43	P0535043	BRACE
44	P0535044	UPPER FRONT FILTER WALL
45	P0535045	LOWER FRONT FILTER WALL
46	PW06	FLAT WASHER 1/4
47	PB02	HEX BOLT 1/4-20 X 5/8
48	PS01	PHLP HD SCR 10-24 X 1/2
49	P0535049	SAFETY NET
50	P0535050	FILTER DRAWER
50-1	P0534045-1	DRAWER HANDLE
50-2	PHTEK10	TAP SCREW #8 X 5/8"
51	P0535051	MOTOR CABINET
52	P0535052	CASTER
53	PN05	HEX NUT 1/4-20
54	PW06	FLAT WASHER 1/4
55	PW06	FLAT WASHER 1/4
56	PB02	HEX BOLT 1/4-20 X 5/8
57	P0534057	CABINET FOOT
58	P0534058	FOOT BOOT
59	P0535059	FAN
60	PB07	HEX BOLT 5/16-18 X 3/4
61	PW07	FLAT WASHER 5/16
62	P0535062	DEFLECTOR
63	PN05	HEX NUT 1/4-20
64	PW06	FLAT WASHER 1/4
65	P0535065	MOTOR
65-1	P0535065-1	FAN COVER
65-2	P0535065-2	MOTOR FAN
65-3	P0535060-3	WIRING BOX
65-4	P0534060-4	S CAPACITOR 200M 125V SM
65-5	P0534060-5	R CAPACITOR 30M 250V SM
66	P0535066	G0535 MACHINE ID LABEL
67	P0534062	DOWNDRAFT WARNING LBL
68	PLABEL-12	READ MANUAL LABEL
69	PLABEL-14	ELECTRICITY LABEL
70	PLABEL-11	SAFETY GLASSES LABEL
71	PWRCRD110L	110V CORD W/5-15 PLUG
72	PWRCRD110S	110 MOTOR CORD
73	P0534068	SIDE SKEWED WALL
74	P0535074	PUSH BUTTON SWITCH
74-1	P0535074-1	SWITCH PADLOCK