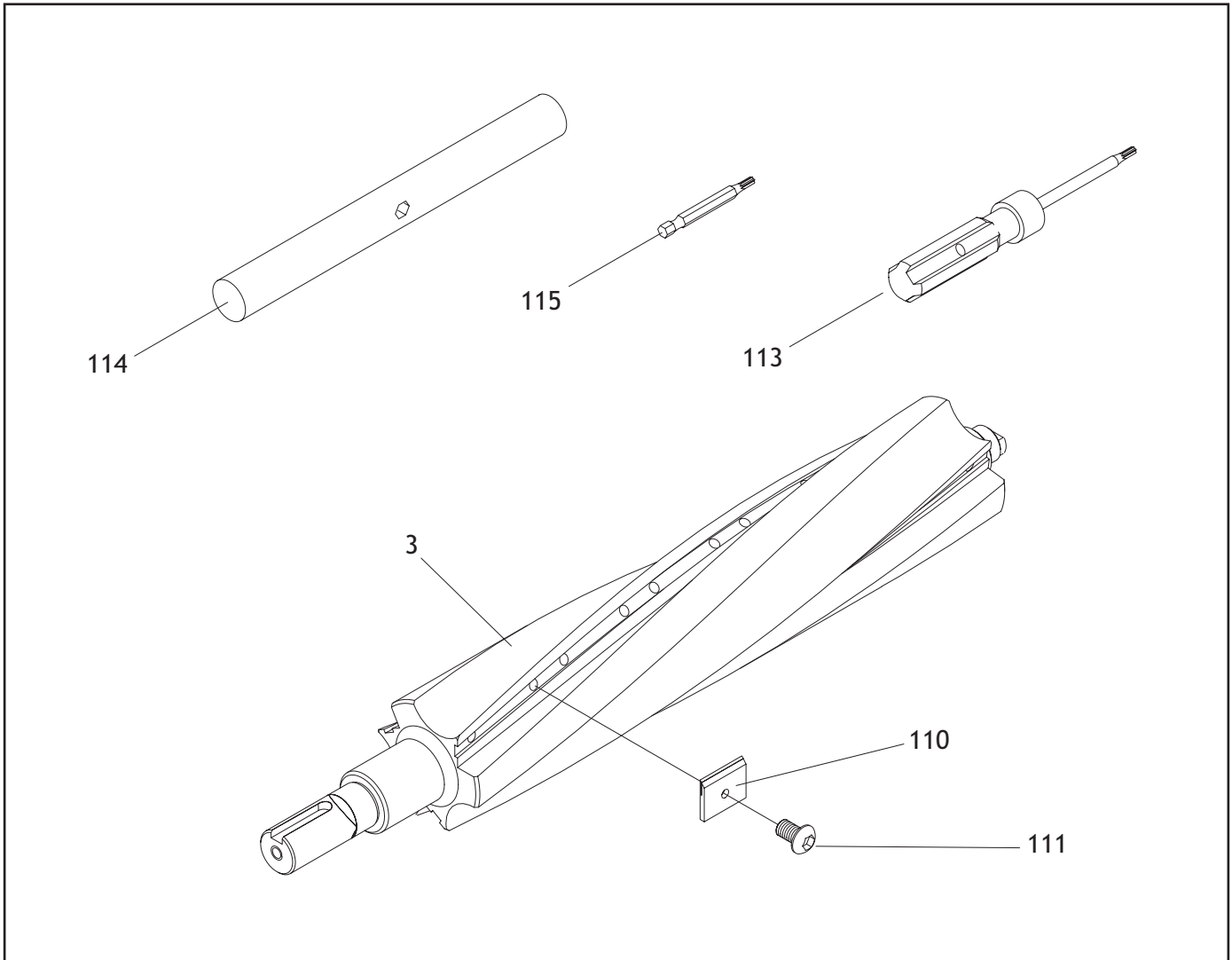


W1718 Replacement Parts



REF	PART #	DESCRIPTION
3	X1718003	SPIRAL CUTTERHEAD
110	X1718110	INDEXABLE CARBIDE INSERT
111	XPFH15M	FLAT HD TRX T20 M6-1 X 16
113	X1718113	TORX DRIVER T20
114	X1718114	BREAKER BAR FOR TORX BIT
115	X1714115	TORX BIT T20

NOTICE

All parts for the Model W1718, except those shown above, are the same as the Model W1683. Therefore, please use the included Model W1683 manual when ordering new parts for your machine, unless those parts are shown above.

COPYRIGHT © BY WOODSTOCK INTERNATIONAL, INC.

WARNING: NO PORTION OF THIS DOCUMENT MAY BE REPRODUCED IN ANY SHAPE OR FORM WITHOUT THE WRITTEN APPROVAL OF WOODSTOCK INTERNATIONAL, INC.

AUGUST 2003, PRINTED IN TAIWAN.