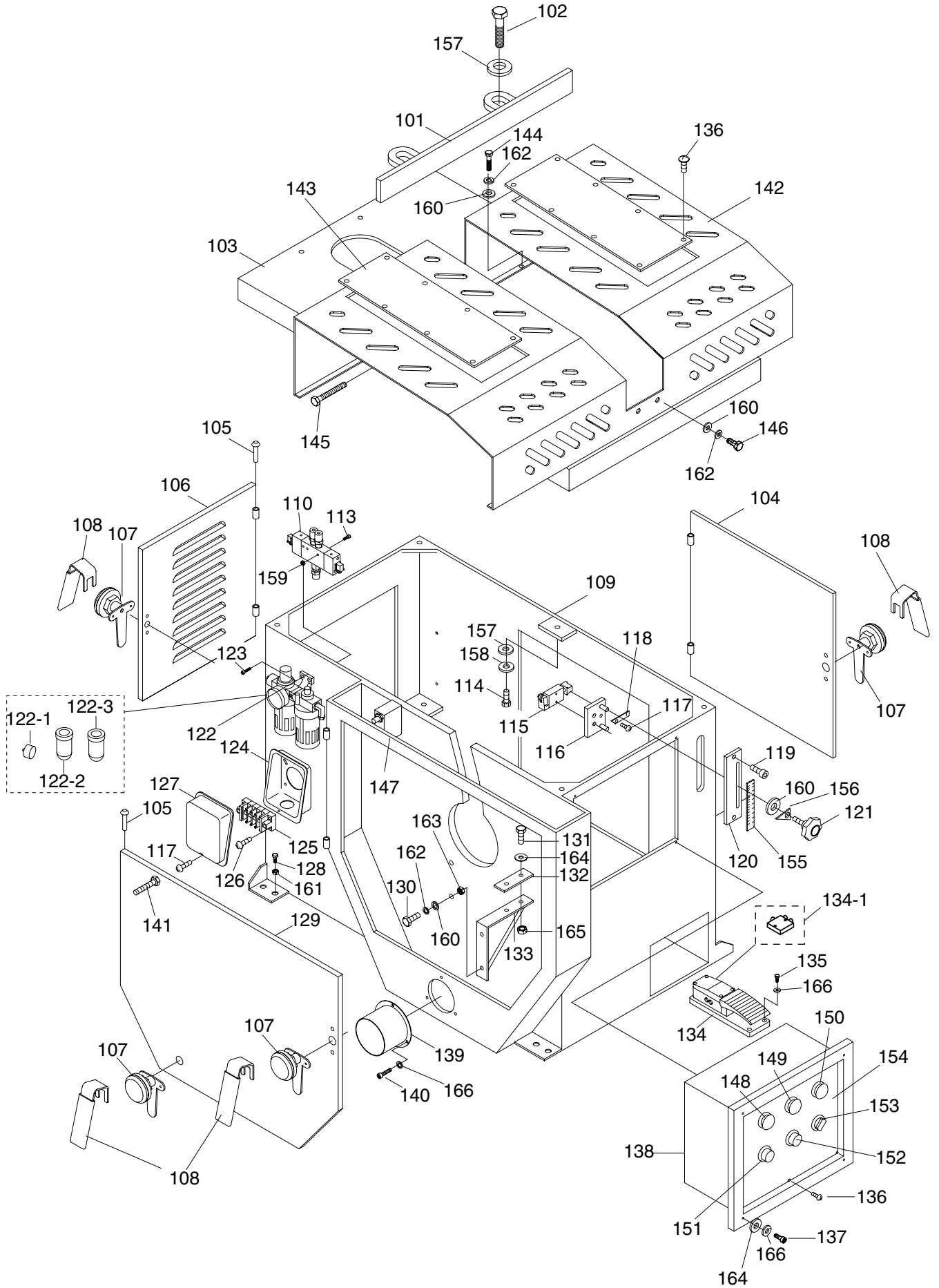


G0549 Parts Breakdown

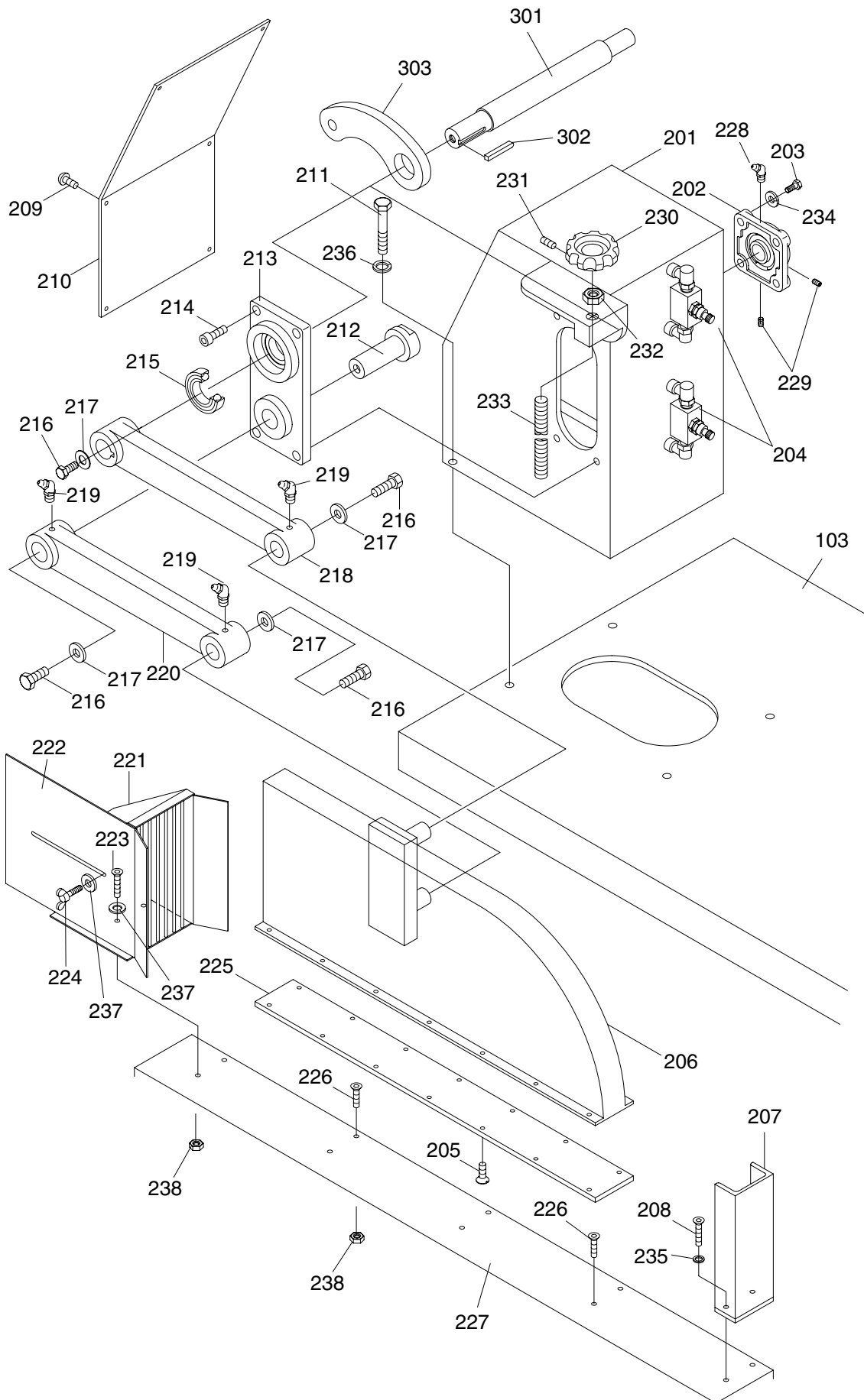


G0549

REF	PART #	DESCRIPTION
101	P0549101	FENCE
102	PB75M	HEX BOLT M12-1.75 X 35
103	P0549103	TABLE
104	P0549104	RIGHTSIDE DOOR
105	P0549105	HINGE PIN
106	P0549106	BACKSIDE DOOR
107	P0549107	SAFETY LOCK
108	P0549108	SAFETY LOCK HANDLE
109	P0549109	CABINET
110	P0549110	AIR VALVE
113	PS65M	PHLP HD SCR M4-.7 X 40
114	PB27M	HEX BOLT M12-1.75 X 30
115	P0549115	LIMIT SWITCH
116	P0549116	LIMIT SWITCH PLATE
117	PS06	PHLP HD SCR #10-24 X 3/8
118	P0549118	ELEVATION POINTER
119	PSB28M	CAP SCREW M6-1 X 15
120	P0549120	ELEVATION LOCK PLATE
121	P0549121	LOCK KNOB M8-1.25 X 30
122	P0549122	FILTER/LUBRICATE/REGULATE
122-1	P0549122-1	GAUGE
122-2	P0549122-2	OIL CUP
122-3	P0549122-3	WATER CUP
123	PSB02M	CAP SCREW M6-1 X 20
124	P0549124	TERMINAL BOX BASE
125	P0549125	TERMINAL BLOCK
126	PS03	PHLP HD SCR #10-24 X 1
127	P0549127	TERMINAL BOX COVER
128	PB51M	HEX BOLT M16-2 X 50
129	P0549129	LEFT SIDE DOOR
130	PB118M	HEX BOLT M8-1.25 X 45
131	PB47M	HEX BOLT M6-1 X 40
132	P0549132	RUBBER PAD
133	P0549133	SPINDLE SUPPORT BRACKET
134	P0549134	PEDAL SWITCH

REF	PART #	DESCRIPTION
134-1	P0549134-1	PEDAL CONTROLLER
135	PB18M	HEX BOLT M6-1 X 15
136	PS38M	PHLP HD SCR M4-.7 X 10
137	PB10M	HEX BOLT M6-1 X 25
138	P0549138	CONTROL BOX ASSEMBLY
139	P0549139	DUST PORT
140	PSB28M	CAP SCREW M6-1 X 15
141	P0549141	SPECIAL BOLT M10-1.5 X 130
142	P0549142	SAFETY GUARD
143	P0549143	ACRYLIC PLATE
144	PB09M	HEX BOLT M8-1.25 X 20
145	PB89	HEX BOLT 1/2-12 X 4 1/2
146	PB09M	HEX BOLT M8-1.25 X 20
147	P0549147	LIMIT SWITCH
148	P0549148	AIR INLET SWITCH
149	P0549149	AIR E-STOP BUTTON
150	P0549150	MANUAL SWITCH
151	P0549151	POWER SOURCE LIGHT
151-1	P0549151-1	BULB 220V
152	P0549152	SAW START BUTTON
153	P0549153	SAW STOP BUTTON
154	P0549154	PANEL
155	P0549155	SCALE
156	P0549156	ELEVATION POINTER
157	PW06M	FLAT WASHER 12MM
158	PLW05M	LOCK WASHER 12MM
159	PN04M	HEX NUT M4-.7
160	PW01M	FLAT WASHER 8MM
161	PN13M	HEX NUT M16-2
162	PLW04M	LOCK WASHER 8MM
163	PN03M	HEX NUT M8-1.25
164	PW03M	FLAT WASHER 6MM
165	PN01M	HEX NUT M6-1
166	PLW03M	LOCK WASHER 6MM

G0549

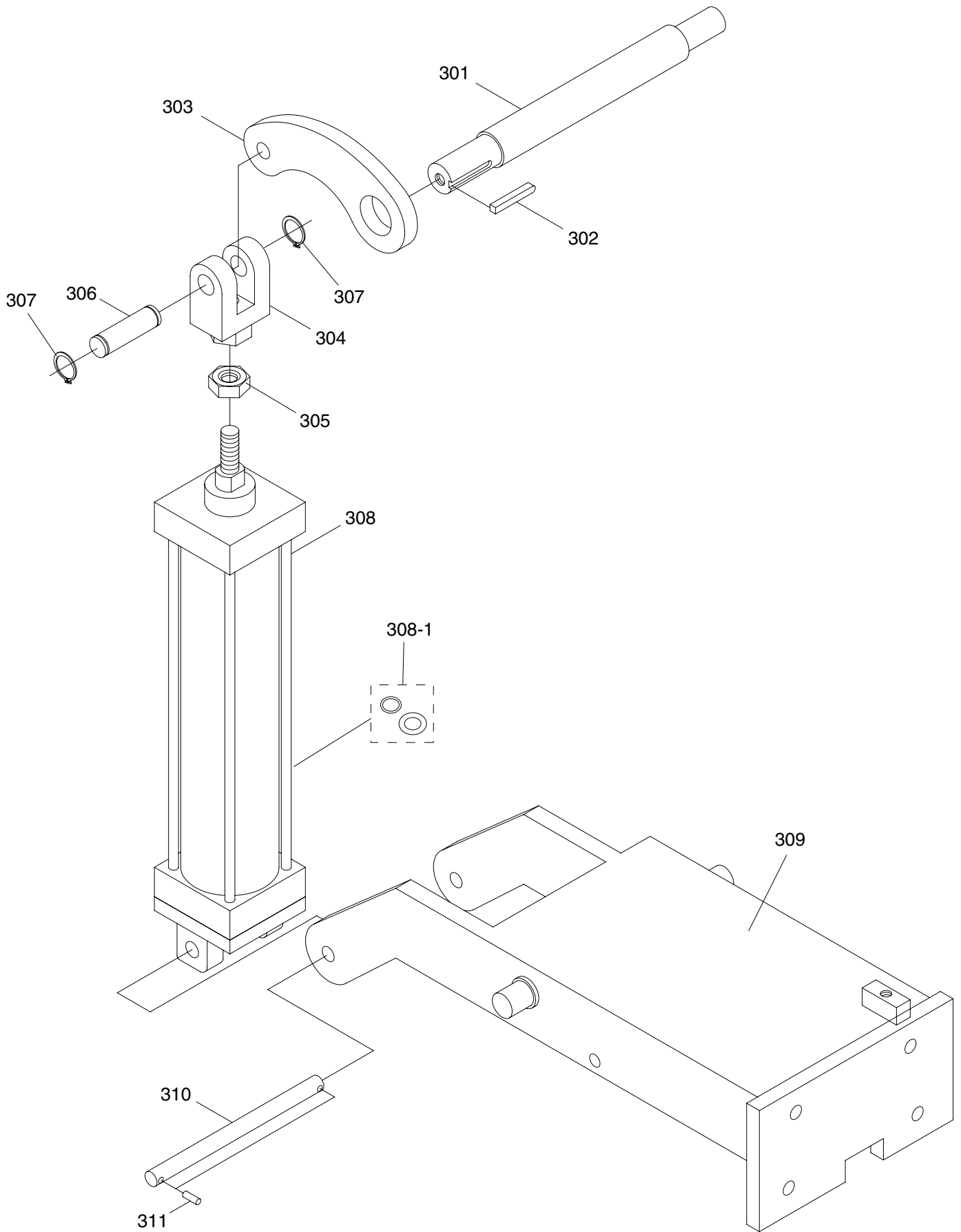


G0549

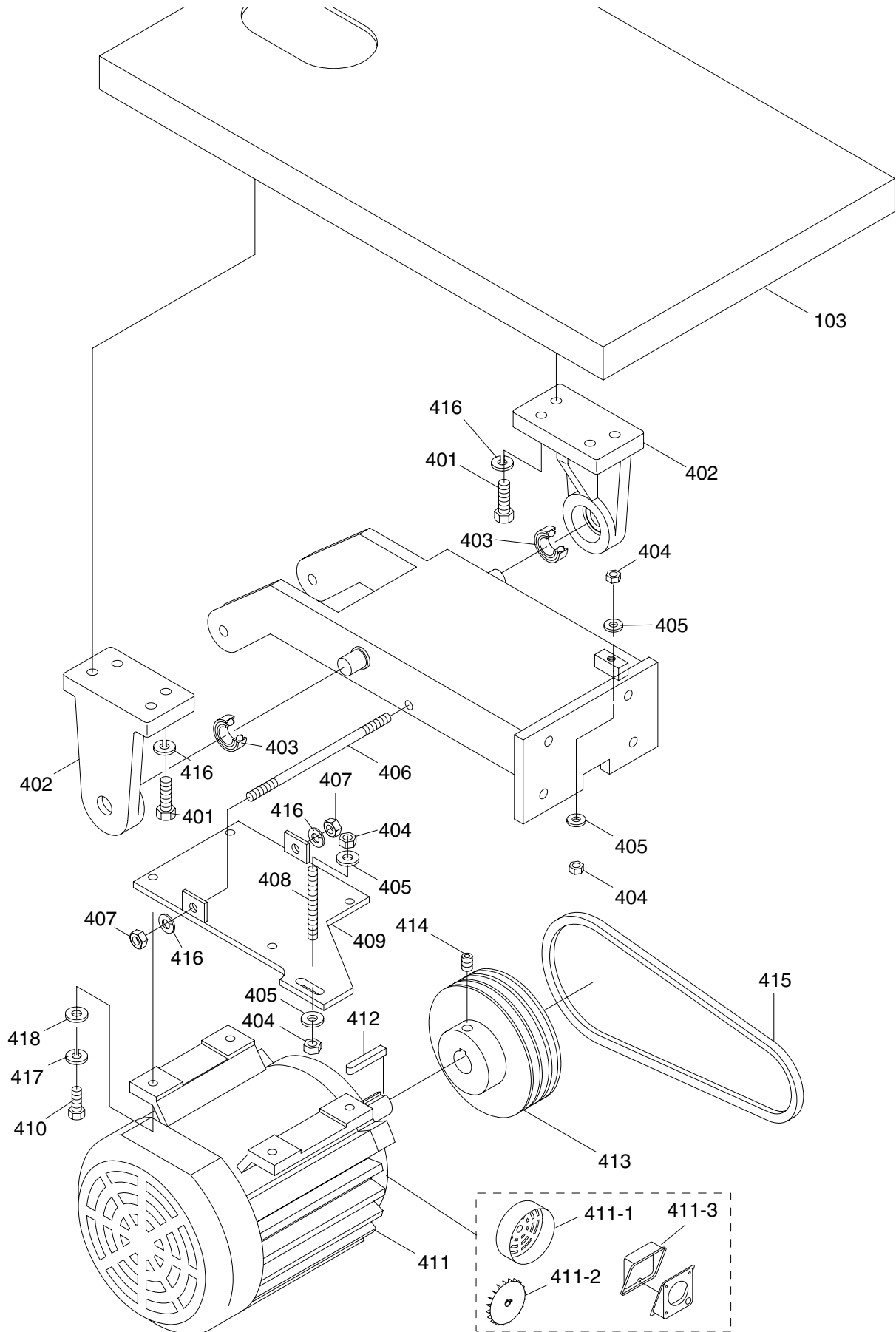
REF	PART #	DESCRIPTION
201	P0549201	UPPER SEAT
202	PUCF205	BEARING CASING UCF205
203	PB24	HEX BOLT 3/8-16 X 1 1/4
204	P0549204	ADJUSTABLE AIR VALVE
205	PFH40M	FLAT HD SCR M6-1 X 15
206	P0549206	BLADE GUARD
207	P0549207	SAFETY COVER
208	PB118M	HEX BOLT M8-1.25 X 45
209	PS65M	PHLP HD SCR M6-1 X 10
210	P0549210	UPPER SEAT REAR COVER
211	PB27M	HEX BOLT M12-1.75 X 30
212	P0549212	SUPPORT ARM SHAFT
213	P0549213	SQUARE BRACKET
214	PSB14	CAP SCREW 3/8-16 X 1
215	P6206	BALL BEARING 6206ZZ
216	PB53	HEX BOLT 1/2-12 X 1
217	P0549217	FENDER WASHER 1/2
218	P0549218	MAIN CRANK
219	P0549219	GREASE FITTING 1/8 X 45°

REF	PART #	DESCRIPTION
220	P0549220	SUPPORT CRANK
221	P0549221	UPPER DUST HOOD
222	P0549222	ADJUSTABLE PLATE
223	PB71M	HEX BOLT M6-1 X 45
224	P0549224	WING BOLT M6-1 X 12
225	P0549225	RUBBER PLATE
226	PFH03M	FLAT HD SCR M6-1 X 40
227	P0549227	BAKELITE INSERT
228	P0549228	GREASE FITTING 1/16 X 90°
229	PSS02M	SET SCREW M6-1 X 6
230	P0549230	ADJUSTMENT KNOB 3/4-10
231	PSS16M	SET SCREW M8-1.25 X 10
232	PN17	HEX NUT 3/4-10
233	P0549233	STUD 3/4 X 6"
234	PLW04	LOCK WASHER 3/8
235	PLW04M	LOCK WASHER 8MM
236	PLW05M	LOCK WASHER 12MM
237	PW03M	FLAT WASHER 6MM
238	PN01M	HEX NUT M6-1

G0549



G0549

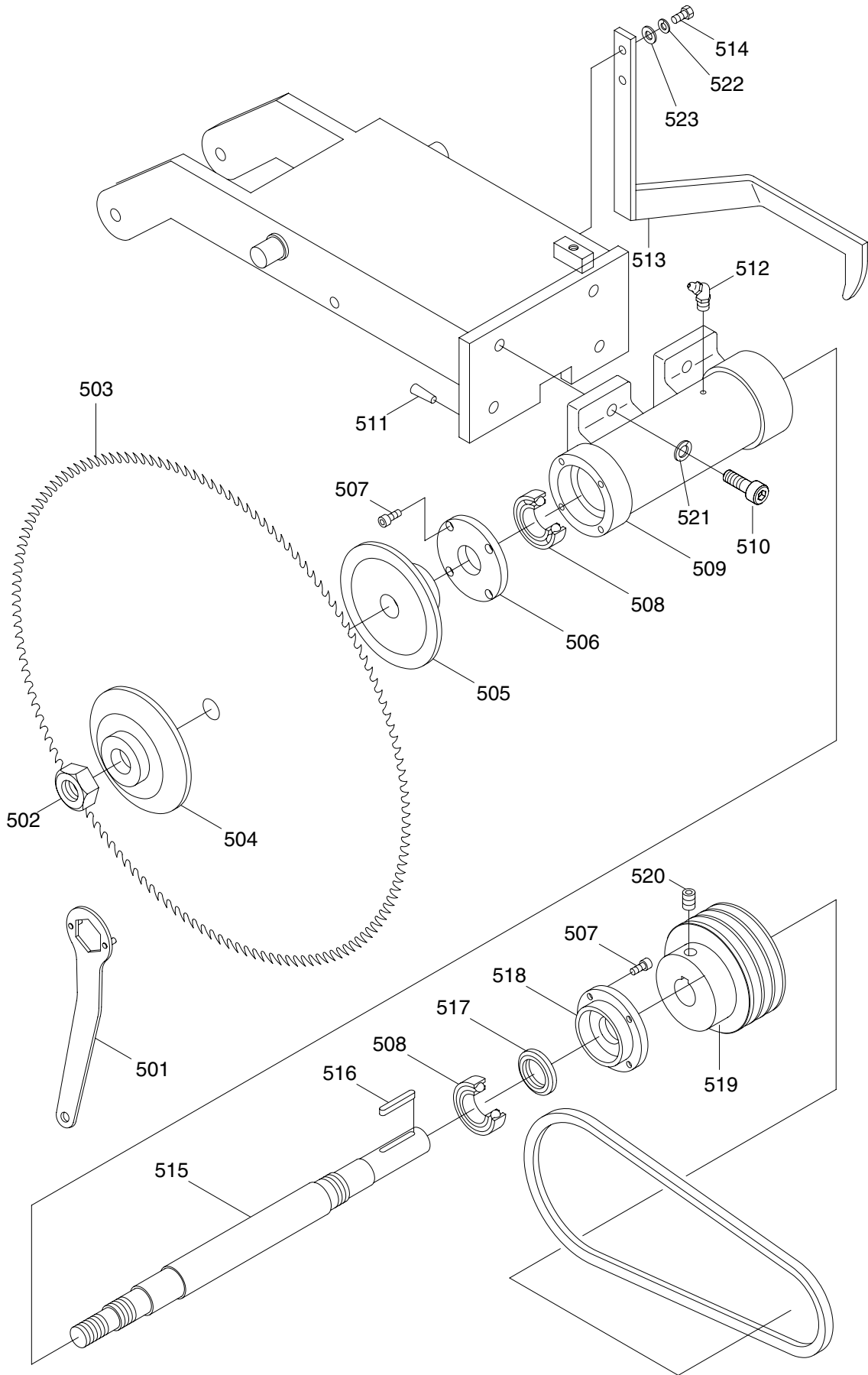


G0549

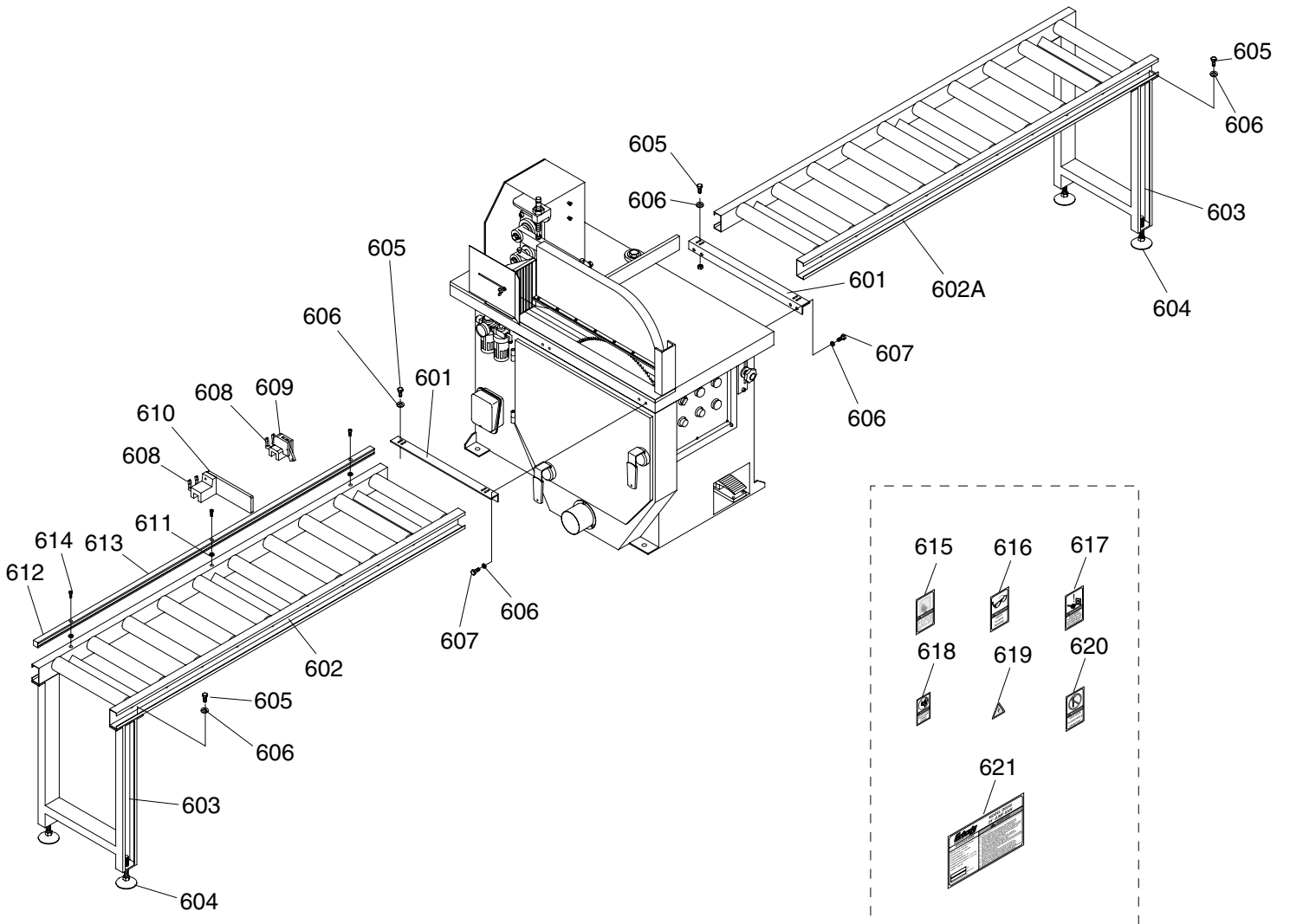
REF	PART #	DESCRIPTION
301	P0549301	MAIN CRANK SHAFT
302	PK86M	KEY 7 X 8 X 50
303	P0549303	ELEVATION PLATE
304	P0549304	ROD END CLEVIS
305	PN17M	HEX NUT M20-1.5
306	P0549306	COUPLING PIN
307	PR09M	EXT. RETAINING RING 20MM
308	P0549308	AIR CYLINDER 80 X 300MM
308-1	P0549308-1	AIR CYLINDER SEAL KIT
309	P0549309	SUPPORT FRAME
310	P0549310	COUPLING PIN
311	P0549311	SPLINE PIN 5 X 35MM

REF	PART #	DESCRIPTION
401	PB33M	HEX BOLT M12-1.75 X 50
402	P0549402	BRACKET
403	P6205	BALL BEARING 6205ZZ
404	PN13M	HEX NUT M16-2
405	PW08M	FLAT WASHER 16MM
406	P0549406	MOTOR MOUNT BAR M12-1.75
407	PN09M	HEX NUT M12-1.75
408	P0549408	MOTOR SCREW 3/4-10 X 6
409	P0549409	MOTOR PLATE
410	PB01M	HEX BOLT M10-1.5 X 30
411	P0549411	MOTOR 15HP
411-1	P0549411-1	MOTOR FAN COVER
411-2	P0549411-2	MOTOR FAN
411-3	P0549411-3	WIRING BOX
412	PK87M	KEY 10 X 8 X 80
413	P0549413	MOTOR PULLEY
414	PSS13M	SET SCREW M10-1.5 X 12
415	P0549415	V-BELT MF6500
416	PLW05M	LOCK WASHER 12MM
417	PLW06M	LOCK WASHER 10MM
418	PW04M	FLAT WASHER 10MM

G0549



G0549

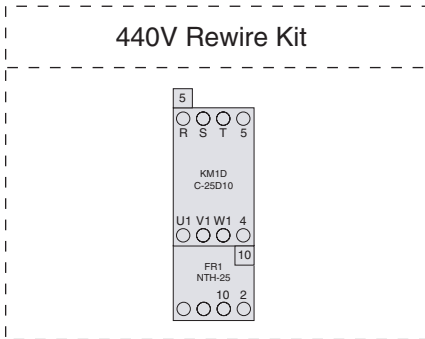
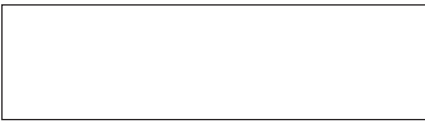
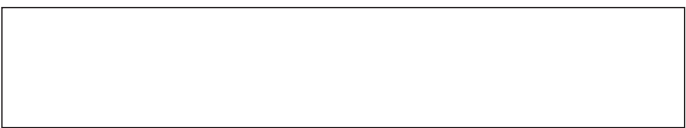
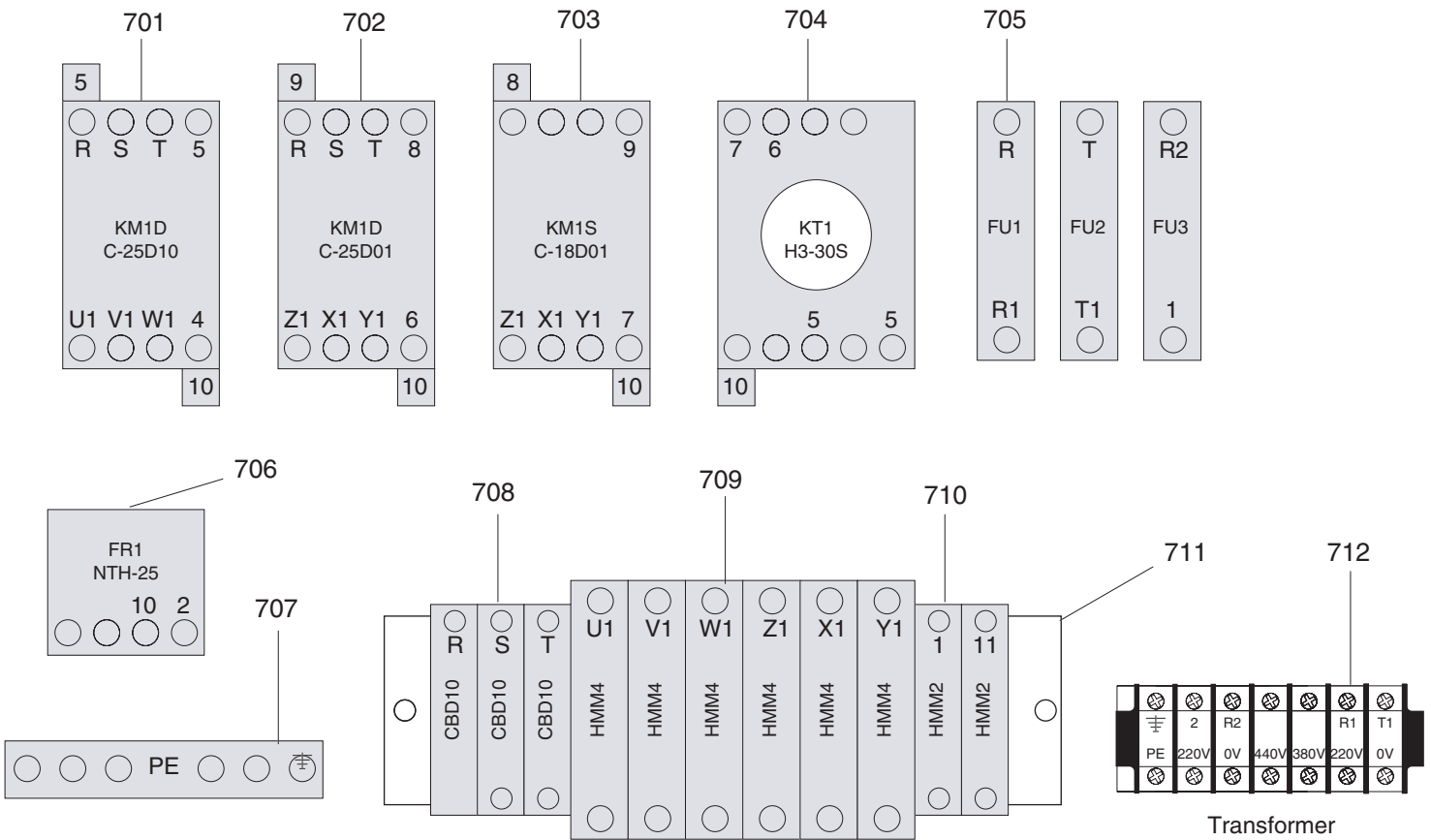


G0549

REF	PART #	DESCRIPTION
501	P0549501	ARBOR WRENCH
502	P0549502	ARBOR NUT 1-12
503	P0549503	BLADE 24 X 1 X 80T X 0.16
504	P0549504	BLADE HUB
505	P0549505	ARBOR FLANGE
506	P0549506	FRONT COVER
507	PSB02M	CAP SCREW M6-1 X 20
508	P6207	BALL BEARING 6207ZZ
509	P0549509	SPINDLE HOUSING
510	PSB92M	CAP SCREW M12-1.75 X 40
511	P0549511	TAPER PIN 4 X 40MM
512	P0549512	GREASE FITTING 1/4
513	P0549513	LIMIT SWITCH DOG
514	PB07M	HEX BOLT M8-1.25 X 25
515	P0549515	SPINDLE SHAFT
516	PK86M	KEY 7 X 8 X 50
517	P0549517	LOCKING NUT (LH)
518	P0549518	REAR COVER
519	P0549519	ARBOR PULLEY
520	PSS76M	SET SCREW M10-1.5 X 15
521	PLW05M	LOCK WASHER 12MM
522	PLW04M	LOCK WASHER 8MM
523	PW01M	FLAT WASHER 8MM

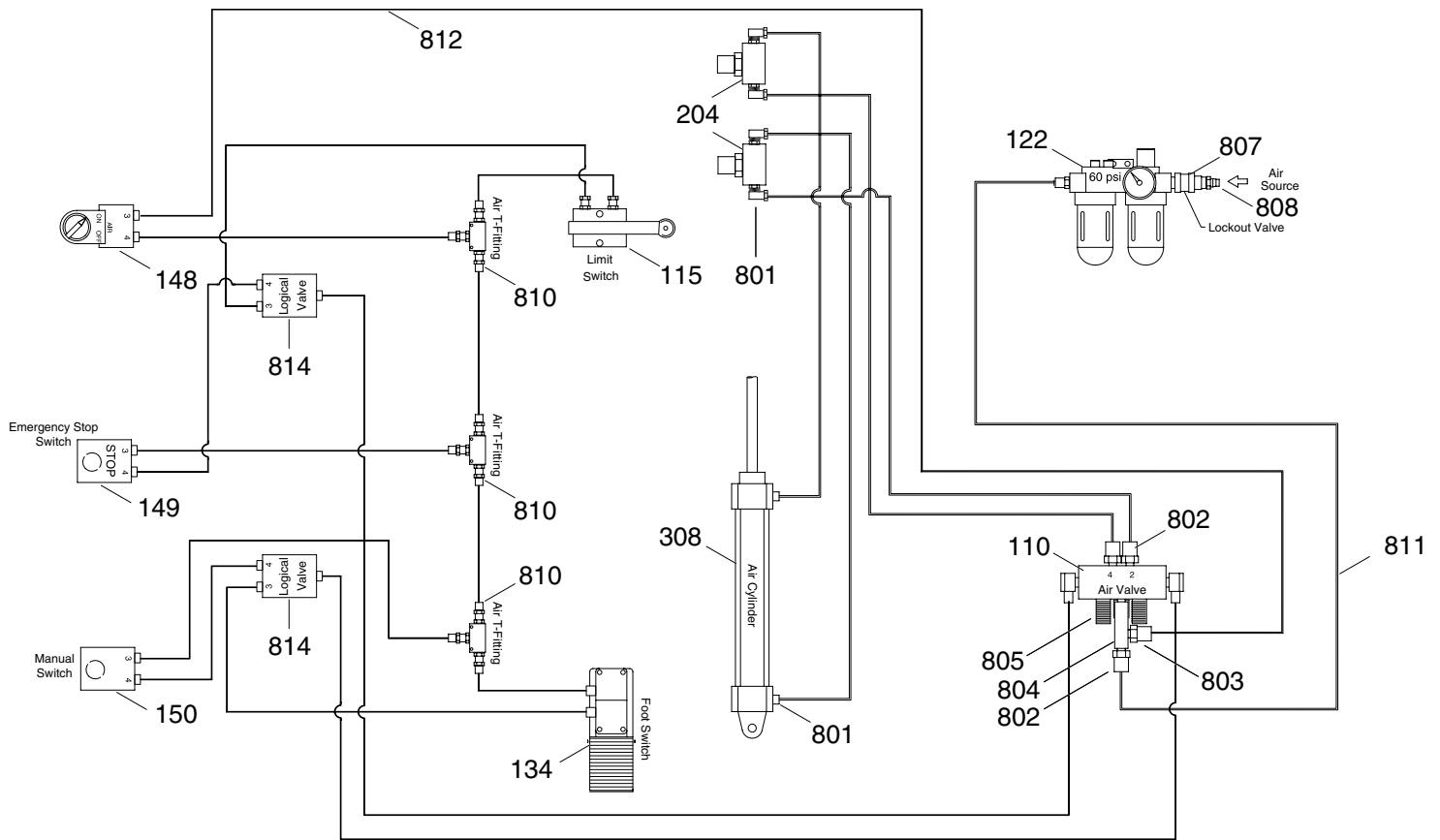
REF	PART #	DESCRIPTION
601	P0549601	BRACKET
602	P0549602	LEFT ROLLER CONVEYOR
602A	P0549602A	RIGHT ROLLER CONVEYOR
603	P0549603	STAND
604	P0549604	ADJUSTMENT FOOT 5/8-11 X 4
605	PB09M	HEX BOLT M8-1.25 X 20
606	PW01M	FLAT WASHER 8MM
607	PB07M	HEX BOLT M8-1.25 X 25
608	P0549608	LOCK HANDLE M8-1.25 X 20
609	P0549609	FLIP STOP
610	P0549610	FIXED STOP
611	P0549611	SQUARE WASHER
612	P0549612	SQUARE RAIL
613	P0549613	SCALE
614	PSB13M	CAP SCREW M8-1.25 X 30
615	PLABEL-12	READ MANUAL LABEL
616	PLABEL-11	WEAR SAFETY GLASSES LABEL
617	PLABEL-36	UNPLUG 220V LABEL
618	P0549618	HANDS UNDER GUARD LABEL
619	PLABEL-14	ELECTRICITY LABEL
620	PLABEL-30	KEEP DOOR CLOSED LABEL
621	P0549621	MACHINE ID LABEL

G0549 Electrical Panel Parts



REF	PART #	DESCRIPTION
701	P0549701	CONTACTOR KM1M C-25D10
702	P0549702	CONTACTOR KM1D C25D01
703	P0549703	CONTACTOR KM1S C-18D01
704	P0549704	TIMER KT1 H3-30S
705	P0549705	FUSE 5 AMP
706	P0549706	OVERLOAD FR1 NTH-25 SET 22
707	P0549707	TERMINAL STRIP PE X 6
708	P0549708	MODULAR TERMINAL CBD10
709	P0549709	MODULAR TERMINAL HMM4
710	P0549710	MODULAR TERMINAL HMM2
711	P0549711	MODULAR TERMINAL BASE
712	P0549712	TRANSFORMER TC1
713	P0549713	WIRE LOOM & COVER 25 X 230
714	P0549714	WIRE LOOM & COVER 25 X 190
715	P0549715	WIRE LOOM & COVER 25 X 160
716	P0549716	WIRE LOOM & COVER 25 X 130
717	P0549620A	440V REWIRE KIT

G0549 Air System Parts



REF	PART #	DESCRIPTION
801	P0549801	AIR ELBOW 3/8 MPT X 10MM
802	P0549802	AIR FITTING 1/4 MPT X 10MM
803	P0549803	AIR ELBOW 1/4 MPT X 4MM
804	P0549804	T-FITTING PT 1/4(F) X 1/4(F) X 1/4(F)
805	P0549805	AIR MUFFLER 1/8 MPT
807	P0549807	AIR STOP VALVE 3/8 MPT X 3/8
808	P0549808	AIR COUPLER 3/8 MPT
810	P0549810	TUBE FITTING UNION-T X 4MM
811	P0549811	AIR HOSE 6.5 X 10 X 1800MM (CTF)
812	P0549812	AIR HOSE 2.5 X 4 X 2500MM (CTF)
814	P0549814	LOGICAL VALVE