

READ THIS FIRST



Model G0600

*****IMPORTANT UPDATE*****

**For Machines Mfd. Since 06/23
and Owner's Manual Revised 11/16**

For questions or help with this product contact Tech Support at (570) 546-9663 or techsupport@grizzly.com

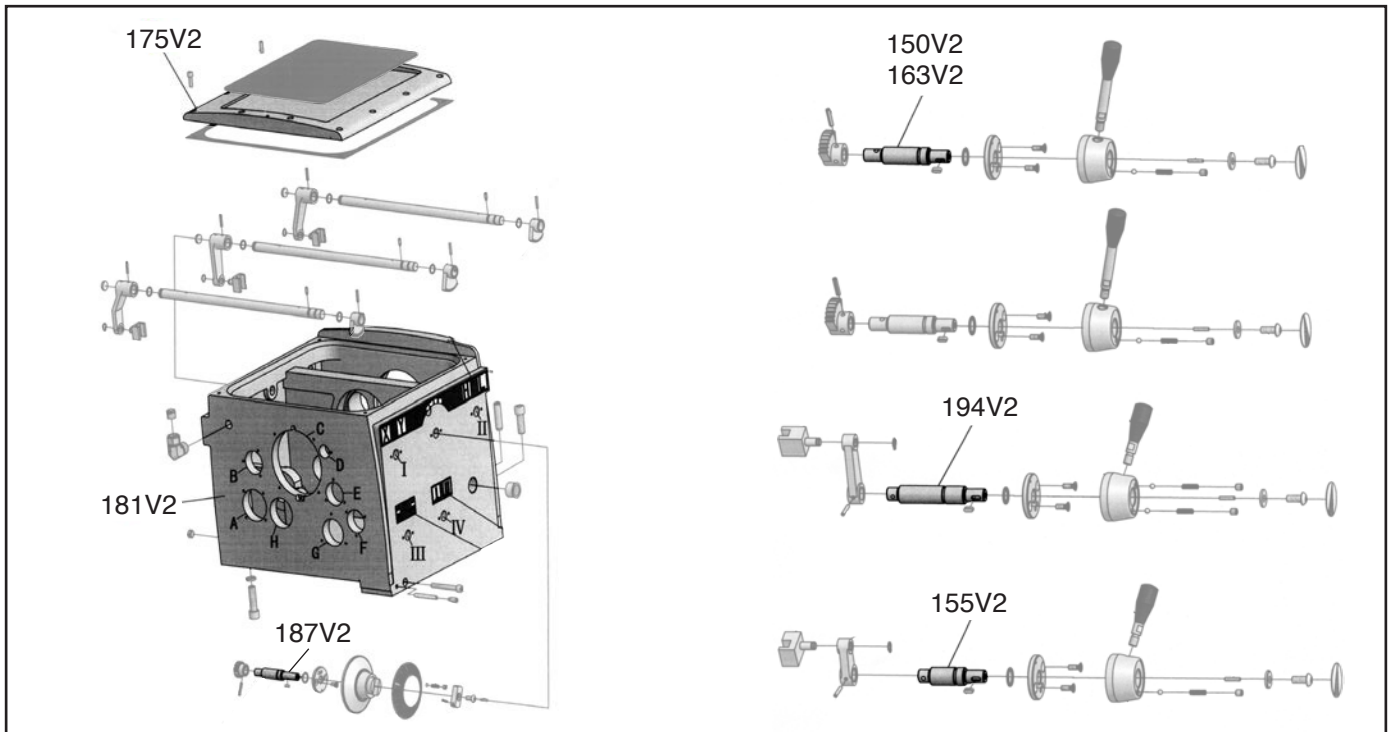
The following changes were recently made since the owner's manual was printed:

- Parts changed.

Aside from this information, all other content in the owner's manual applies and **MUST** be read and understood for your own safety. **IMPORTANT: Keep this update with the owner's manual for future reference.**

For questions or help, contact our Tech Support at (570) 546-9663 or techsupport@grizzly.com.

Revised Headstock Face and Shift System Parts

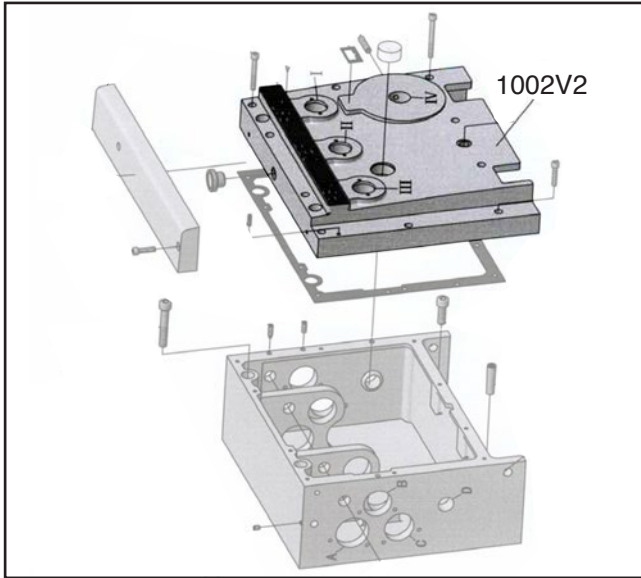


REF	PART #	DESCRIPTION
150V2	P06000150V2	SHAFT V2.06.23
155V2	P06000155V2	SHAFT V2.06.23
163V2	P06000163V2	SHAFT V2.06.23
175V2	P06000175V2	HEADSTOCK COVER V2.06.23

REF	PART #	DESCRIPTION
181V2	P06000181V2	HEADSTOCK V2.06.23
187V2	P06000187V2	SHAFT V2.06.23
194V2	P06000194V2	SHAFT V2.06.23

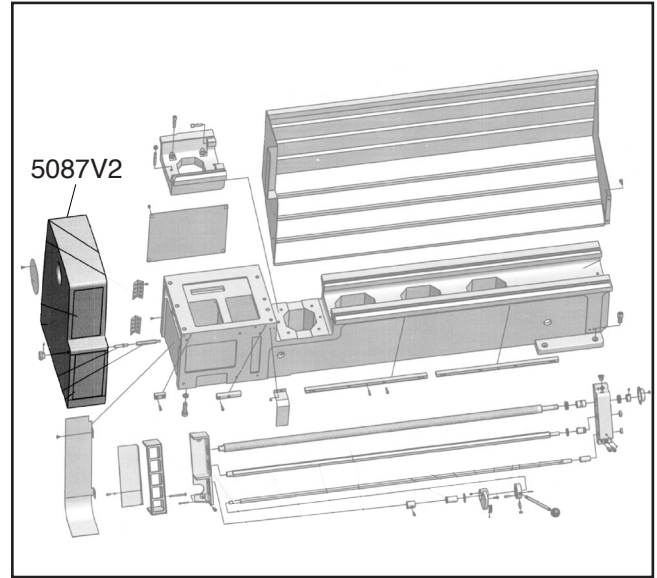
COPYRIGHT © MARCH, 2024 BY GRIZZLY INDUSTRIAL, INC.
**WARNING: NO PORTION OF THIS MANUAL MAY BE REPRODUCED IN ANY SHAPE
OR FORM WITHOUT THE WRITTEN APPROVAL OF GRIZZLY INDUSTRIAL, INC.**
#LW23085 PRINTED IN CHINA

Revised Quick Change Gearbox Face Parts



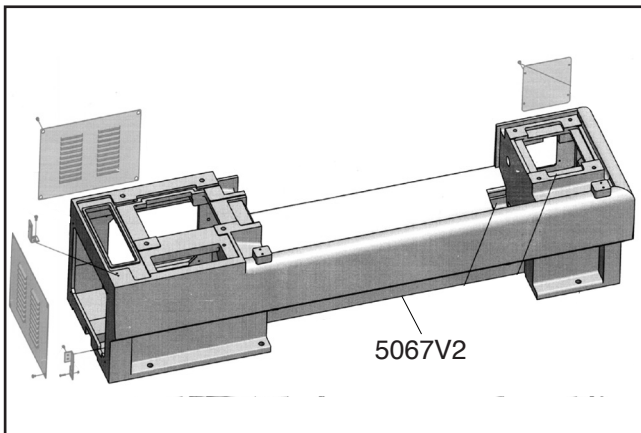
REF	PART #	DESCRIPTION
1002V2	P06001002V2	COVER FRONT V2.06.23

Revised End Covers and Splash Guard Parts



REF	PART #	DESCRIPTION
5087V2	P06005087V2	SAFETY DOOR V2.06.23

Revised Brake System and Change Gear Parts

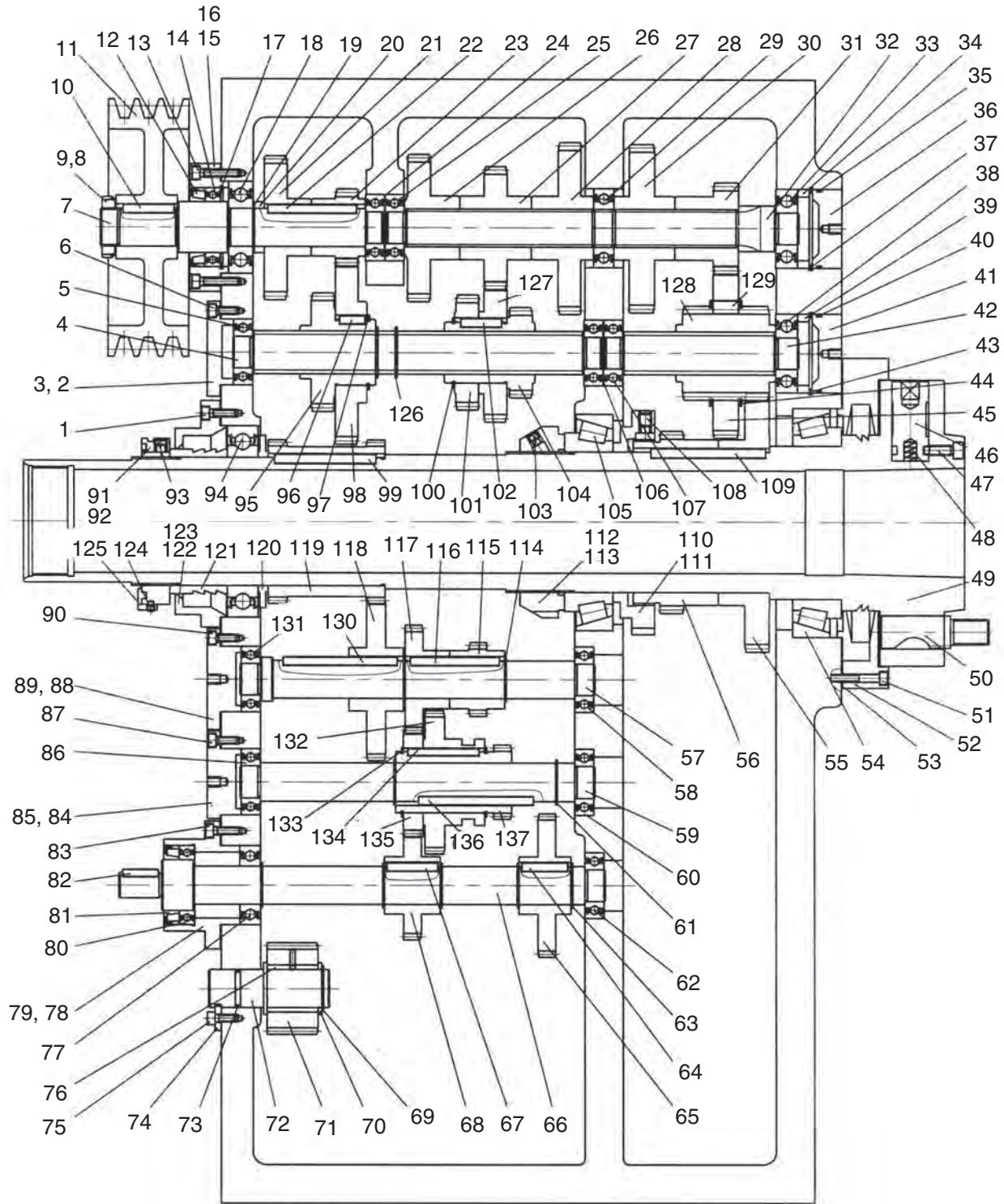


REF	PART #	DESCRIPTION
5067V2	P06005067V2	STAND V2.06.23

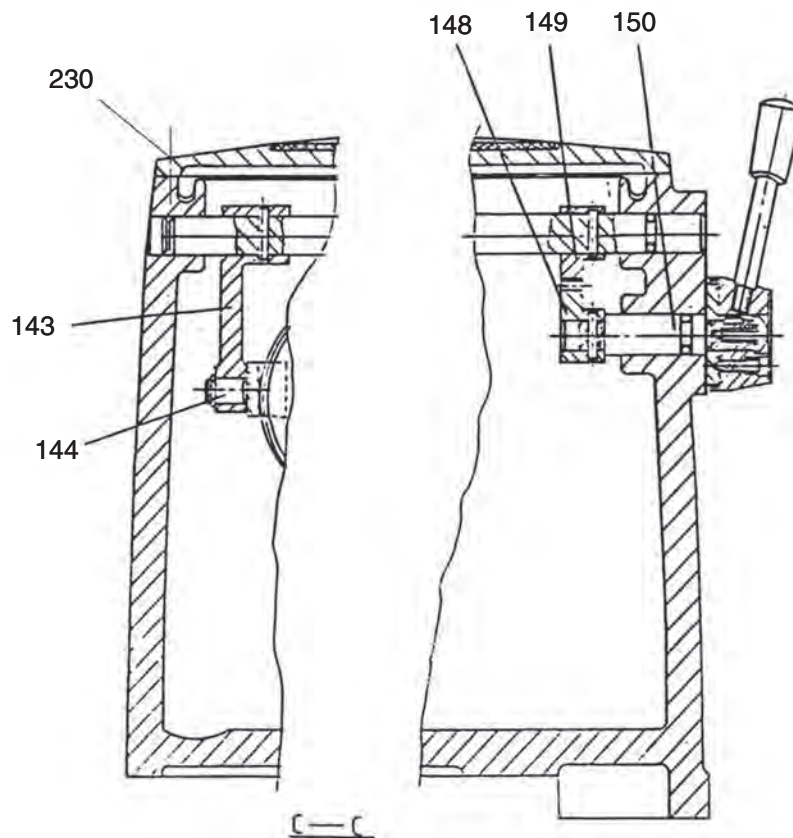
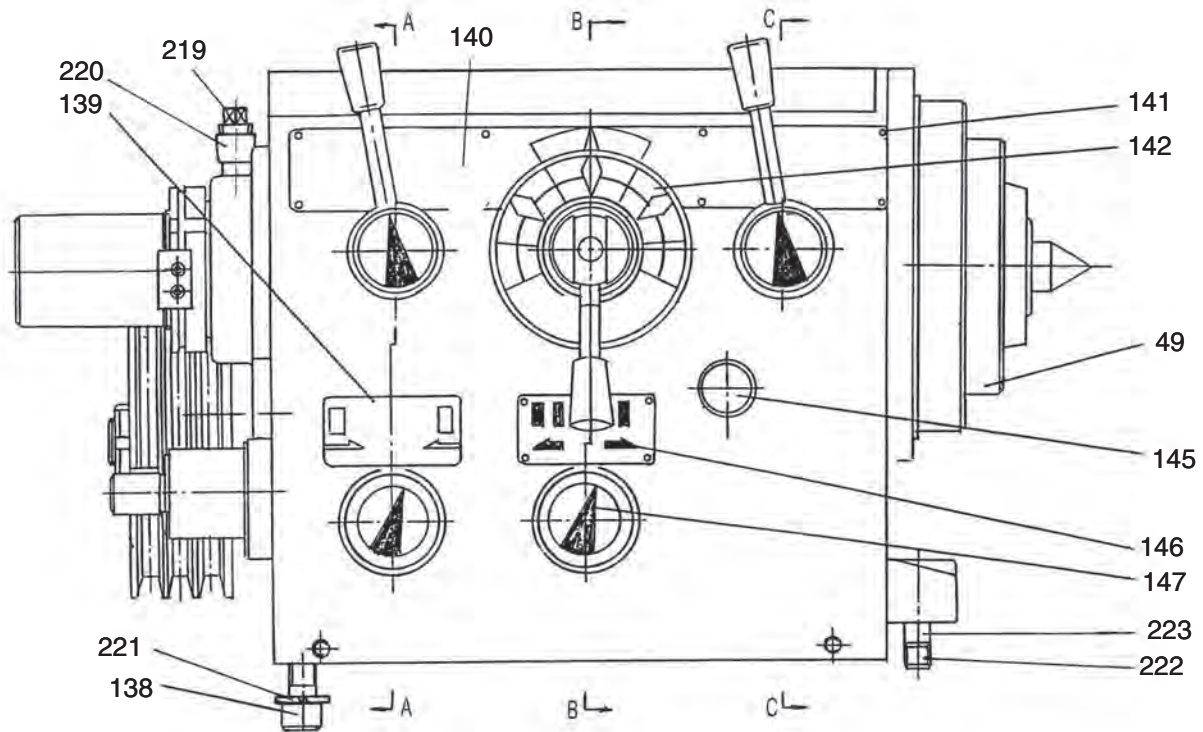


Headstock Gear System

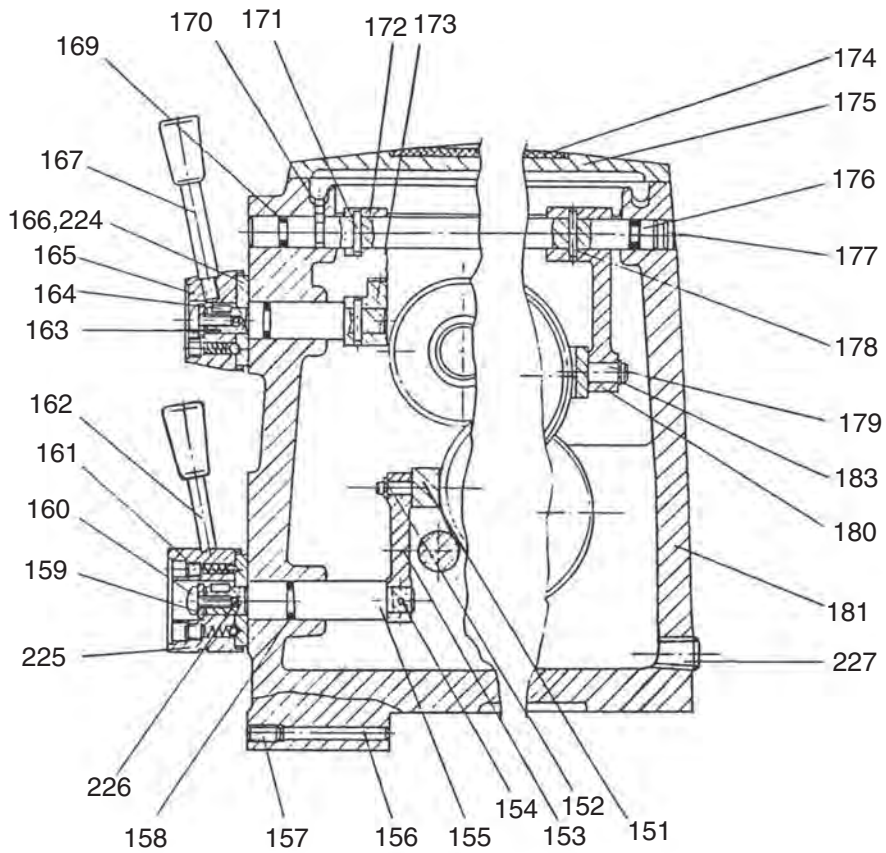
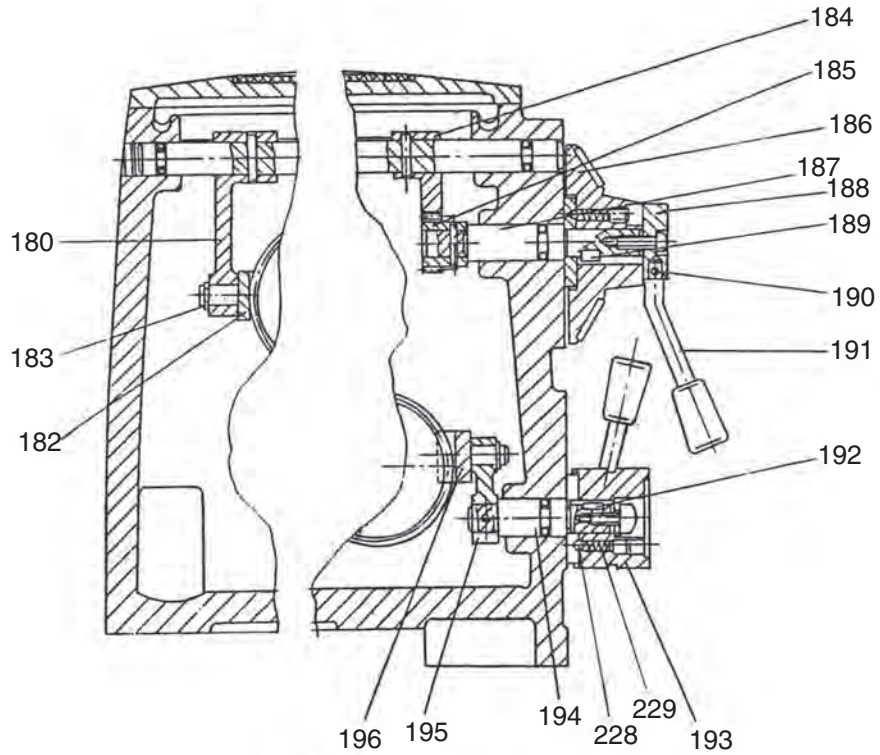
(0000 Series Parts)



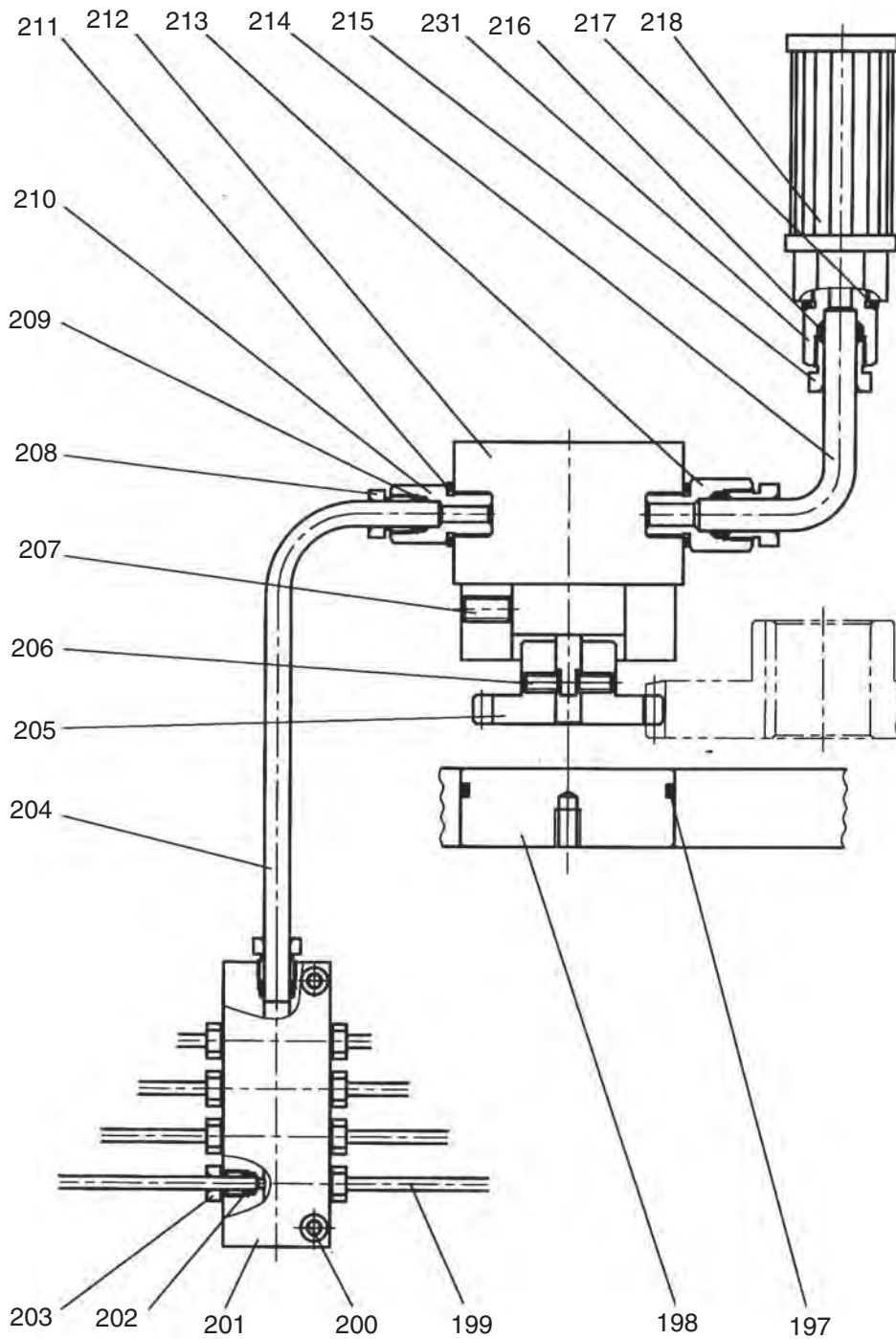
Headstock Face and Shift System (0000 Series Parts)



Headstock Shift System (0000 Series Parts)



Headstock Oil Pump System (0000 Series Parts)



REF	PART #	DESCRIPTION
1	PSB02M	CAP SCREW M6-1 X 20
2	P06000002	BEARING COVER
3	P06000003	BEARING COVER SEAL
4	P06000004	SPLINE SHAFT
5	P6205	BALL BEARING 6205
6	PSB01M	CAP SCREW M6-1 X 16
7	P06000007	INPUT SHAFT
8	P06000008	SPANNER NUT M30 X 1.5
9	P06000009	LOCK WASHER 30MM
10	PK41M	KEY 8 X 8 X 40MM
11	P06000011	PULLEY
12	P06000012	OIL SEAL
13	PSB07M	CAP SCREW M6-1 X 30
14	P06000014	BALL BEARING 1080908
15	P06000015	BEARING CAP
16	P06000016	BEARING SEAT SEAL
17	PR38M	INT RETAINING RING 62MM
18	P6306	BALL BEARING 6306
19	PR15M	EXT RETAINING RING 30MM
20	P06000020	SPACER
21	P06000021	GEAR 39T X M2.75
22	P06000022	KEY 8 X 8 X 70MM
23	P06000023	GEAR 20T X M2.75
24	P06000024	SPACER
25	P6205	BALL BEARING 6205
26	P06000026	GEAR 40T X M2.75
27	P06000027	GEAR 33T X M2.75
28	P06000028	GEAR 47T X M2.75
29	P6206	BALL BEARING 6206
30	P06000030	GEAR 46T X M2.75
31	P06000031	GEAR 24T X M2.75
32	P06000032	SPLINE SHAFT
33	P6305	BALL BEARING 6305
34	P06000034	SPACER WASHER
35	P06000035	O-RING 56 X 2.65MM
36	P06000036	COVER
37	PR38M	INT RETAINING RING 62MM
38	P6305	BALL BEARING 6305
39	P06000039	LOCK WASHER
40	P06000040	O-RING 56 X 2.65MM
41	P06000041	COVER
42	P06000042	SPLINE SHAFT
43	PR38M	INT RETAINING RING 62MM
44	P06000044	EXT RETAINING RING 75MM
45	P06000045	GEAR 47T X M2.75
46	P06000046	D1-8 CAM LOCK
47	P06000047	SPECIAL D1-8 SCREW
48	P06000048	COMPRESSION SPRING
49	P06000049	SPINDLE
50	P06000050	D1-8 STUD

REF	PART #	DESCRIPTION
51	PSB29M	CAP SCREW M6-1 X 40
52	P06000052	FRONT BEARING COVER
53	P06000053	FRONT BEARING COVER SEAL
54	P06000054	BALL BEARING D2007124E
55	P06000055	GEAR 72T X M2.75
56	P06000056	GEAR 50T X M2.75
57	P06000057	SHAFT
58	P6205	BALL BEARING 6205
59	P06000059	SHAFT
60	P6205	BALL BEARING 6205
61	PR15M	EXT RETAINING RING 30MM
62	P6205	BALL BEARING 6205
63	PR15M	EXT RETAINING RING 30MM
64	PK129M	KEY 8 X 8 X 36MM
65	P06000065	GEAR 48T X M2.25
66	P06000066	OUTPUT SHAFT
67	PK41M	KEY 8 X 8 X 40MM
68	P06000068	GEAR 36T X M2.25
69	PR15M	EXT RETAINING RING 30MM
70	P06000070	SPACER
71	P06000071	GEAR 30T X M2.25
72	P06000072	IDLER SHAFT
73	P06000073	O-RING 30 X 2.4MM
74	P06000074	SPACER
75	PSB01M	CAP SCREW M6-1 X 16
76	P06000076	BRASS BUSHING
77	P6206	BALL BEARING 6206
78	P06000078	BEARING SEAT
79	P06000079	BEARING SEAT SEAL
80	P06000080	BALL BEARING 1080908
81	P06000081	OIL SEAL
82	PK32M	KEY 6 X 6 X 28MM
83	PSB02M	CAP SCREW M6-1 X 20
84	P06000084	BEARING COVER
85	P06000085	BEARING COVER SEAL
86	P6205	BALL BEARING 6205
87	PSB01M	CAP SCREW M6-1 X 16
88	P06000088	BEARING COVER
89	P06000089	BEARING COVER SEAL
90	PSB01M	CAP SCREW M6-1 X 16
91	P06000091	LOCK NUT
92	P06000092	BRASS BUSHING
93	PSS30M	SET SCREW M10-1.5 X 10
94	P06000094	BALL BEARING 120
95	P06000095	GEAR 32T X M2.75
96	PK107M	KEY 8 X 8 X 20MM
97	PR26M	INT RETAINING RING 52MM
98	P06000098	GEAR 51T X M2.75
99	P06000099	KEY 10 X 10 X 80MM



REF	PART #	DESCRIPTION
100	PR32M	EXT RETAINING RING 48MM
101	P06000101	GEAR 31T X M2.75
102	PK09M	KEY 8 X 8 X 32MM
103	PSS16M	SET SCREW M8-1.25 X 10
104	P06000104	GEAR 24T X M2.75
105	P06000105	BALL BEARING D2007122E
106	P06000106	SPACER
107	P6205	BALL BEARING 6205
108	PSS75M	SET SCREW M10-1.5 X 16
109	P06000109	KEY 10 X 10 X 90MM
110	P06000110	LOCK NUT
111	P06000111	BRASS BUSHING
112	P06000112	LOCK NUT
113	P06000113	BRASS BUSHING
114	PR15M	EXT RETAINING RING 30MM
115	P06000115	GEAR 24T X M2.25
116	P06000116	KEY 8 X 8 X 70MM
117	P06000117	GEAR 36T X M2.25
118	P06000118	GEAR 55T X M2.25
119	P06000119	GEAR 55T X M2.25/55T X M2.25
120	P06000120	SHAFT RING
121	P06000121	OIL RING
122	P06000122	REAR BEARING COVER
123	P06000123	BEARING COVER SEAL
124	PSS03M	SET SCREW M6-1 X 8
125	P06000125	COUNTERWEIGHT
126	P06000126	EXT RETAINING RING 34MM
127	P06000127	GEAR 38T X M2.75
128	P06000128	GEAR 25T X M2.75
129	P06000129	KEY
130	P06000130	KEY 8 X 8 X 90MM
131	P6205	BALL BEARING 6205
132	P06000132	GEAR 48T X M2.25
133	PR32M	EXT RETAINING RING 48MM
134	PK49M	KEY 6 X 6 X 55MM
135	P06000135	GEAR 36T X M2.25
136	P06000136	KEY 8 X 8 X 90MM
137	P06000137	GEAR 24T X M2.25
138	P06000138	CAP SCREW M16-2 X 55
139	P06000139	INDICATOR PLATE
140	P06000140	INDICATOR PLATE
141	P06000141	RIVET 2 X 5MM
142	P06000142	INDICATOR PLATE
143	P06000143	LEVER
144	P06000144	FORK
145	P06000145	OIL SIGHT GLASS
146	P06000146	INDICATOR PLATE
147	P06000147	POINTER PLATE
148	P06000148	GEAR 31T X M2
149	P06000149	GEAR 35T X M2

REF	PART #	DESCRIPTION
150	P06000150	SHAFT
151	P06000151	FORK
152	PEC03M	E-CLIP 10MM
153	P06000153	LEVER
154	PRP26M	ROLL PIN 5 X 26MM
155	P06000155	SHAFT
156	P06000156	GUIDE PIN
157	P06000157	SET SCREW M10-1.5 X 25
158	P06000158	O-RING 22 X 2.4MM
159	P06000159	LOCK WASHER
160	P06000160	SPECIAL DOME SCREW
161	PSS20M	SET SCREW M8-1.25 X 8
162	P06000162	LEVER
163	P06000163	SHAFT
164	PK10M	KEY 5 X 5 X 12MM
165	P06000165	HANDLE HUB
166	P06000166	SPACER PLATE
167	P06000167	LEVER
169	P06000169	O-RING 20 X 2.4MM
170	PSS02M	SET SCREW M6-1 X 6
171	PRP26M	ROLL PIN 5 X 26MM
172	P06000172	GEAR 35T X M2
173	P06000173	GEAR 25T X M2
174	P06000174	RUBBER MAT
175	P06000175	HEADSTOCK COVER
176	P06000176	SHAFT
177	P06000177	PLUG
178	PRP05M	ROLL PIN 5 X 30MM
179	P06000179	FORK
180	P06000180	LEVER
181	P06000181	HEADSTOCK
182	P06000182	FORK
183	PEC12M	E-CLIP 12MM
184	P06000184	GEAR 42T X M2
185	P06000185	GEAR 18T X M2
186	P06000186	HUB
187	P06000187	SHAFT
188	P06000188	HANDLE LEVER BLOCK
189	PK10M	KEY 5 X 5 X 12MM
190	PRP39M	ROLL PIN 4 X 20MM
191	P06000191	LEVER
192	PK10M	KEY 5 X 5 X 12MM
193	P06000193	HANDLE HUB
194	P06000194	SHAFT
195	P06000195	LEVER
196	P06000196	FORK
197	P06000197	O-RING 68 X 3.1MM
198	P06000198	COVER
199	P06000199	BRASS TUBE 4 X 0.75"



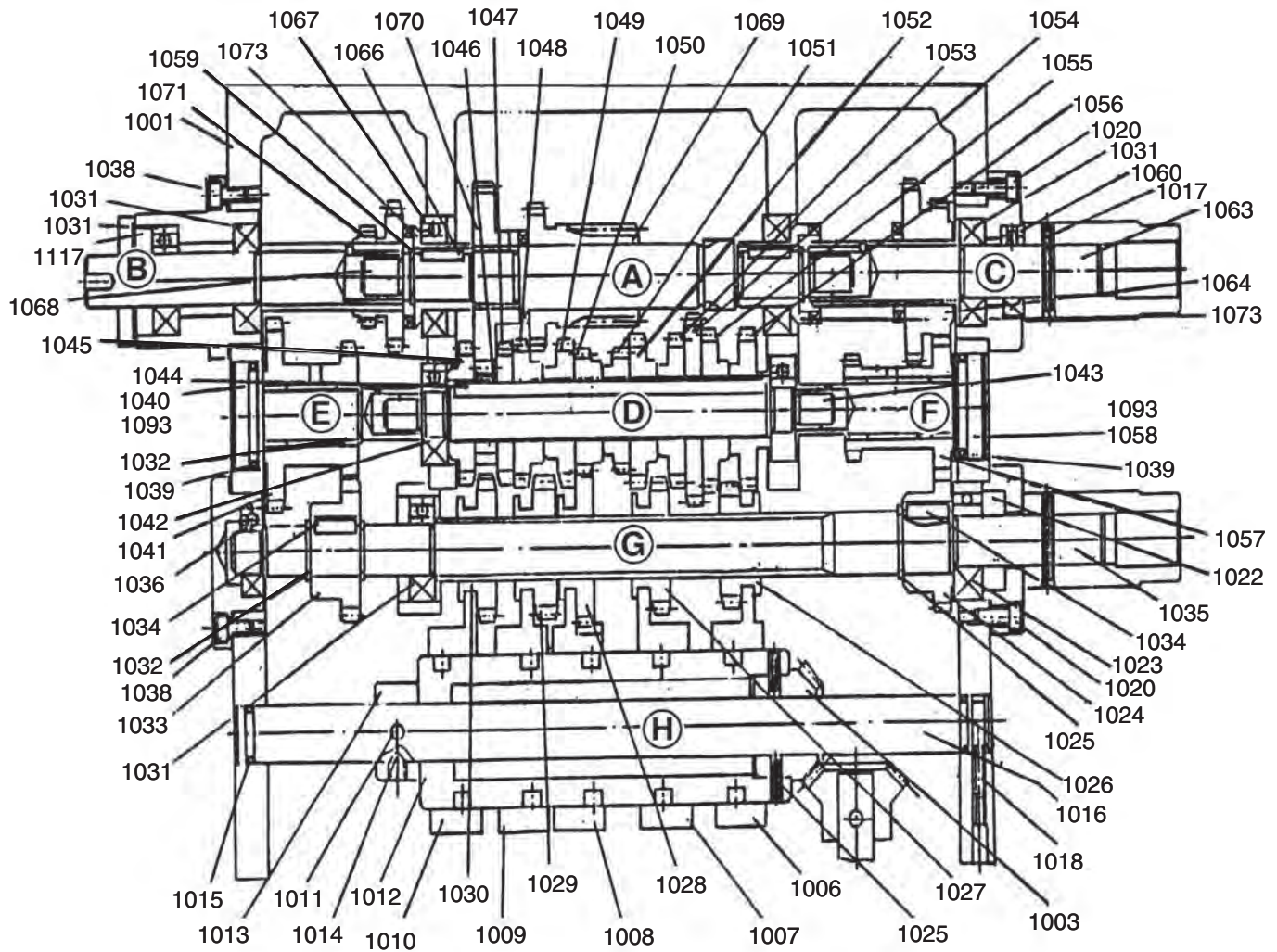
REF	PART #	DESCRIPTION
200	PSB38M	CAP SCREW M5-.8 X 25
201	P06000201	MANIFOLD
202	P06000202	SEAL SLEEVE
203	P06000203	BRASS FITTING
204	P06000204	BRASS TUBE 8 X 0.75"
205	P06000205	GEAR 20T X M2.75
206	PSB26M	CAP SCREW M6-1 X 12
207	PSB01M	CAP SCREW M6-1 X 16
208	P06000208	BRASS FITING
209	P06000209	SEALING SLEEVE
210	P06000210	BRASS FITTING
211	P06000211	SEAL WASHER
212	P06000212	OIL PUMP
213	P06000213	BRASS FITTING
214	P06000214	BRASS TUBE 10 X 0.75"
215	P06000215	BRASSS FITTING

REF	PART #	DESCRIPTION
216	P06000216	SEAL SLEEVE
217	PLW12M	SEAL WASHER
218	P06000218	SCREEN
219	P06000219	PLUG
220	P06000220	TUBE FITTING
221	PLW10M	LOCK WASHER 16MM
222	P06000222	CAP SCREW M16-2 X 45
223	P06000223	ANCHOR PIN 16 X 60
224	PSB01M	CAP SCREW M6-1 X 16
225	P06000225	HANDLE HUB
226	PS22M	PHLP HD SCR M5-.8 X 25
227	P06000227	OIL PLUG
228	P06000228	STEEL BALL 1/4"
229	P06000229	COMPRESSION SPRING
230	PSB14M	CAP SCREW M8-1.25 X 20
231	P06000231	BRASS FITTING

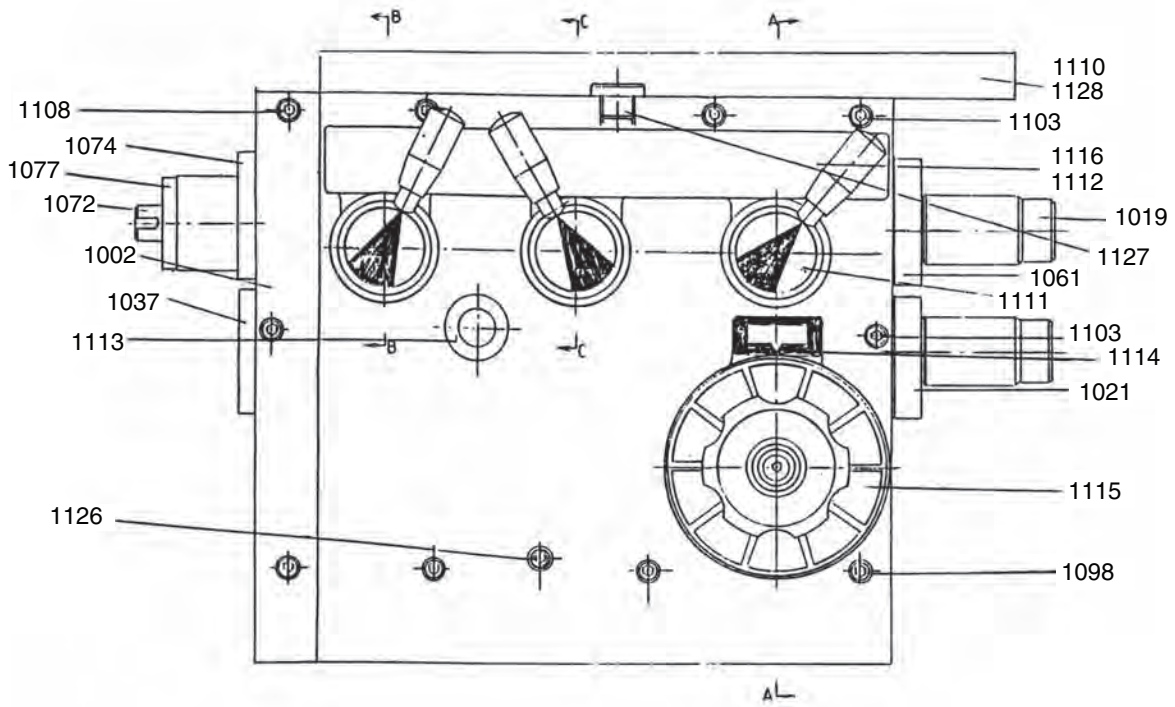


Quick Change Gearbox Gear System

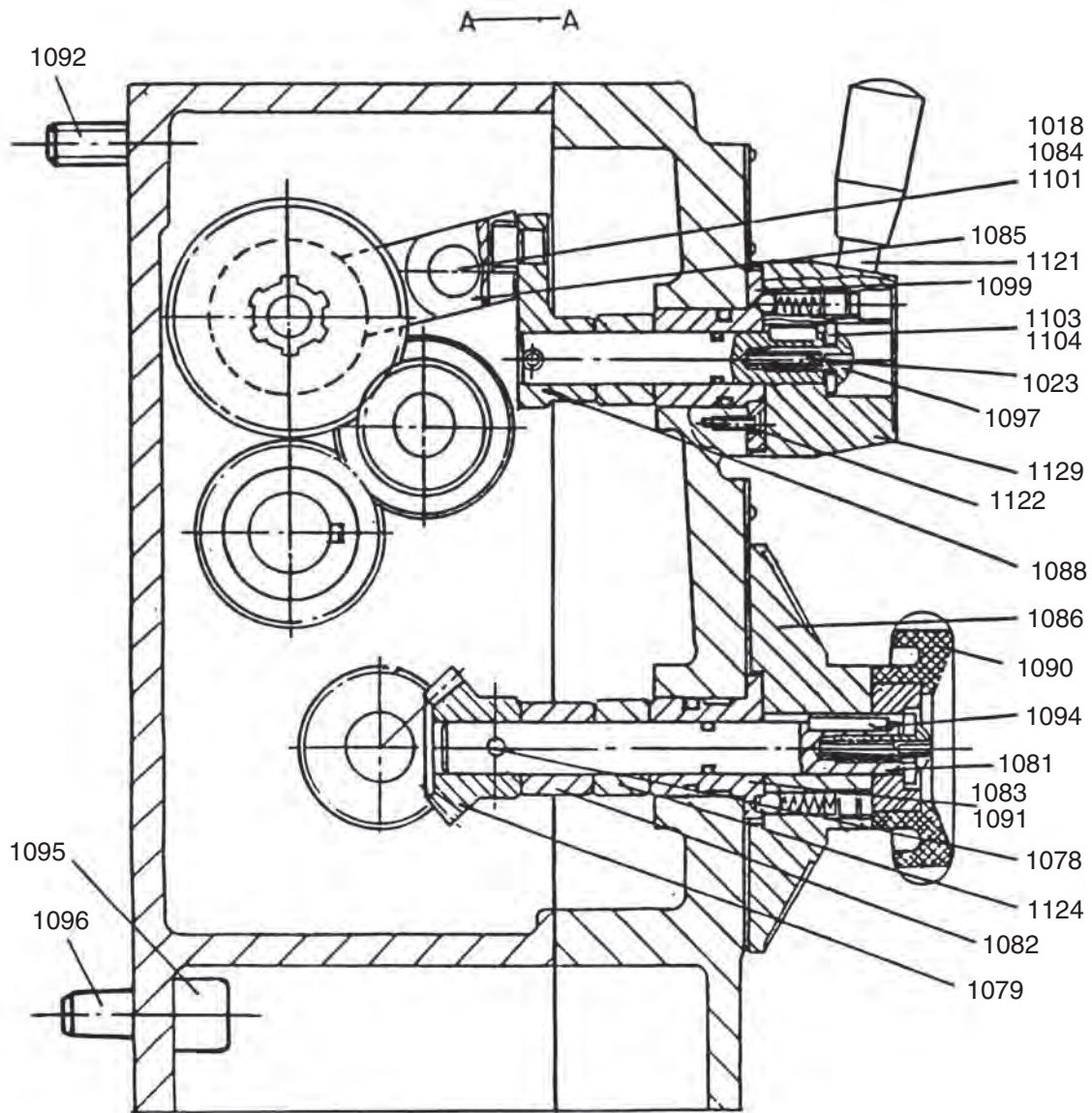
(1000 Series Series Parts)



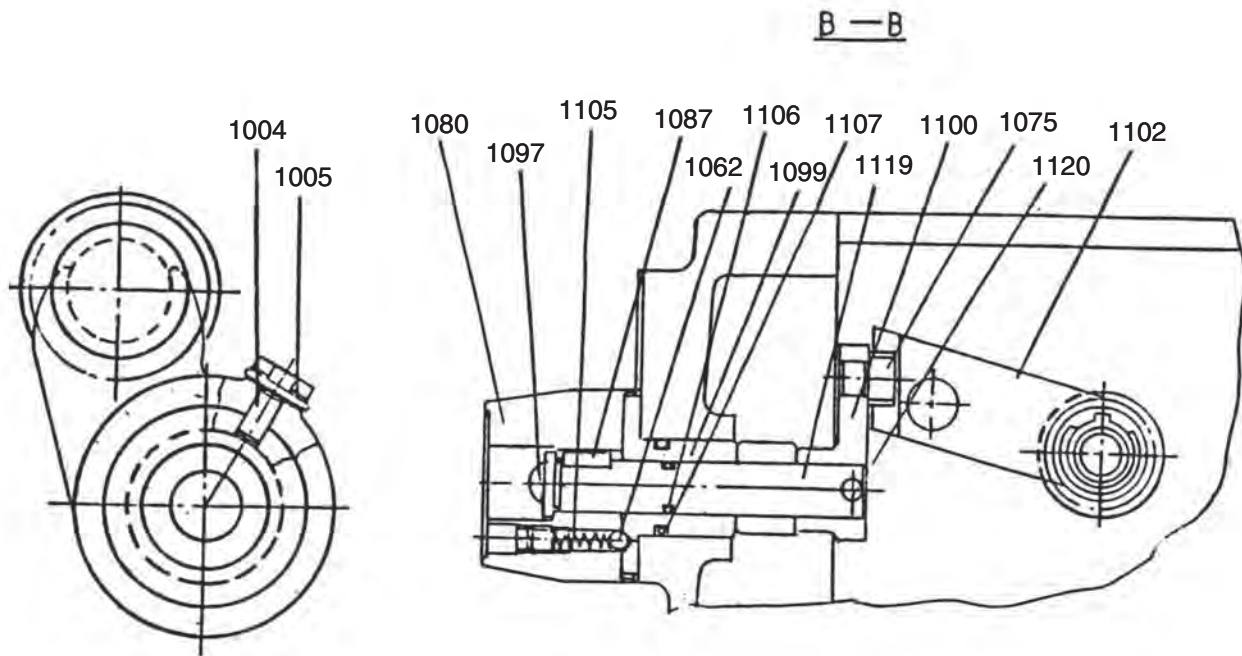
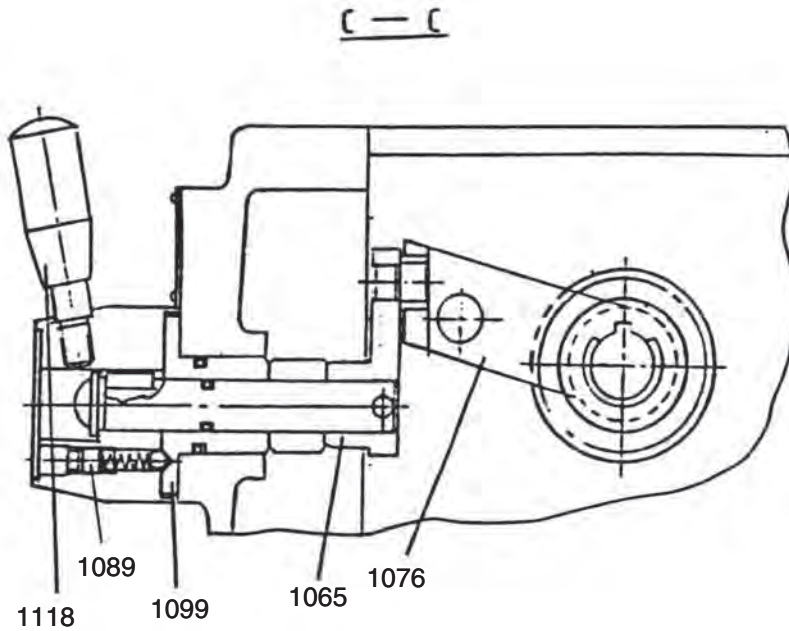
Quick Change Gearbox Face (1000 Series Parts)



Quick Change Gearbox Shift System (1000 Series Parts)



Quick Change Gearbox Shift System (1000 Series Parts)



REF	PART #	DESCRIPTION
1001	P06001001	GEAR BOX
1002	P06001002	FRONT COVER
1003	P06001003	BEVEL GEAR
1004	P06001004	HEX BOLT
1005	P06001005	FLAT WASHER
1006	P06001006	SHIFTER CLAW
1007	P06001007	SHIFTER CLAW
1008	P06001008	SHIFTER CLAW
1009	P06001009	SHIFTER CLAW
1010	P06001010	SHIFTER CLAW
1011	PRP91M	ROLL PIN 5 X 35MM
1012	P06001012	CAM SHIFTER
1013	P06001013	RETAINER
1014	PSS16M	SET SCREW M8-1.25 X 10
1015	P06000158	O-RING 22 X 2.4MM
1016	P06001016	H-SHAFT
1017	PRP91M	ROLL PIN 5 X 35MM
1018	PSS25M	SET SCREW M6-1 X 20
1019	P06001019	RECEIVER HUB
1020	PSB02M	CAP SCREW M6-1 X 20
1021	P06001021	END CAP (RIGHT)
1022	P06001022	OIL SEAL
1023	P06001023	BALL BEARING 180204
1024	P06001024	GEAR 36T X M1.25
1025	PR11M	EXT RETAINING RING 25MM
1026	P06001026	GEAR 22T X 12D.P
1027	P06001027	GEAR 22T X M2.25
1028	P06001028	GEAR 33T X 14D.P
1029	P06001029	GEAR 22T X 11D.P
1030	P06001030	GEAR 22T X 10D.P
1031	P06001031	BALL BEARING 180104
1032	P06001032	EXT RETAINING RING 20MM
1033	P06001033	GEAR 22T X 10D.P
1034	PK07M	KEY 6 X 6 X 20MM
1035	P06001035	G-SHAFT
1036	P06001036	BALL BEARING 180103
1037	P06001037	COVER
1038	PSB26M	CAP SCREW M6-1 X 12
1039	P06001039	O-RING 35 X 3.5MM
1040	P06001040	E-SHAFT
1041	P06001041	GEAR 20T X 10D.P/40T X 14D.P
1042	P06001042	BALL BEARING 180203
1043	P06001043	D-SHAFT
1044	P06001044	KEY 6 X 6 X 146MM
1045	P06001045	GEAR 19T X 10D.P
1046	P06001046	GEAR 18T X M2
1047	P06001047	GEAR 20T X 10D.P
1048	P06001048	GEAR 22T X 11D.P
1049	P06001049	GEAR 23T X 11D.P
1050	P06001050	GEAR 24T X 14D.P

REF	PART #	DESCRIPTION
1051	P06001051	GEAR 27T X 14D.P
1052	P06001052	GEAR 24T X M2.25
1053	P06001053	GEAR 26T X M2.25
1054	P06001054	GEAR 36T X M2
1055	P06001055	GEAR 27T X 12D.P
1056	P06001056	GEAR 28T X 12D.P
1057	P06001057	GEAR 50T X M1.25/20T X M2
1058	P06001058	F-SHAFT
1059	PR07M	EXT RETAINING RING 18MM
1060	P06001060	THRUST BEARING 8104
1061	P06001061	END CAP
1062	P06001062	STEEL BALL 1/4"
1063	P06001063	C-SHAFT
1064	P06001064	GEAR 35T X M1.25/35T X M2
1065	P06001065	ARM
1066	PK48M	KEY 4 X 4 X 20MM
1067	P06001067	BALL BEARING 180105
1068	P06001068	A-SHAFT
1069	P06001069	GEAR 18T X M2/23T X 11D.P
1070	P06001070	GEAR 36T X M2
1071	P06001071	GEAR 19T X 10D.P/19T X 14D.P
1072	P06001072	B-SHAFT
1073	P06001073	CLUTCH
1074	P06001074	CAP
1075	P06001075	FORK
1076	P06001076	FORK
1077	P06001077	SPACER
1078	PRP05M	ROLL PIN 5 X 30MM
1079	P06001079	BEVEL GEAR
1080	P06001080	SPEED CHANGE HUB
1081	P06001081	LEVER HUB
1082	P06001082	SPACER
1083	P06001083	SHAFT SLEEVE
1084	P06001084	O-RING 16 X 2.4MM
1085	P06001085	SHIFT FORK
1086	P06001086	DIAL HUB
1087	PK19M	KEY 5 X 5 X 14MM
1088	P06001088	ARM
1089	P06001089	CAP SCREW M8-1.25 X 8
1090	P06001090	HAND KNOB
1091	PSB40M	CAP SCREW M8-1.25 X 35
1092	PSB71M	CAP SCREW M10-1.5 X 60
1093	PSB01M	CAP SCREW M6-1 X 16
1094	PK131M	KEY 5 X 5 X 28MM
1095	PSB72M	CAP SCREW M10-1.5 X 30
1096	P06001096	TAPER PIN 10 X 45MM
1097	P06001097	SPECIAL DOME SCREW
1098	PSB49M	CAP SCREW M6-1 X 60
1099	P06001099	DETENT PLATE



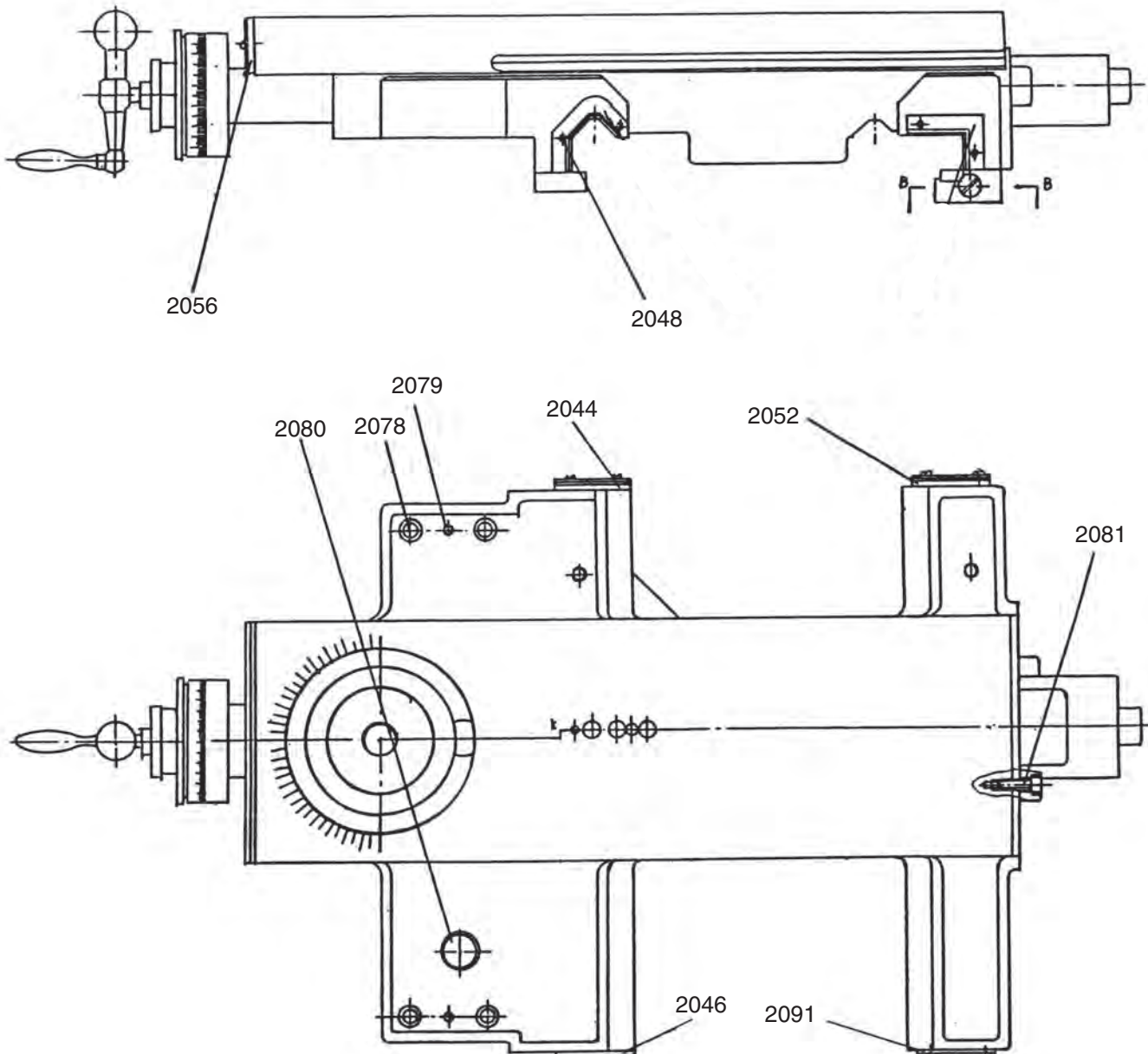
REF	PART #	DESCRIPTION
1100	P06001100	ARM
1101	P06001101	SHAFT
1102	P06001102	FORK
1103	PSB37M	CAP SCREW M6-1 X 50
1104	P06001104	LOCK WASHER
1105	P06001105	COMPRESSION SPRING
1106	P06001084	O-RING 16 X 2.4MM
1107	P06000073	O-RING 30 X 3.1MM
1108	PSB07M	CAP SCREW M6-1 X 30
1110	PSB07M	CAP SCREW M6-1 X 30
1111	P06001111	POINTER PLATE
1112	P06001112	INDICATOR PLATE
1113	P06001113	OIL SIGHT GLASS
1114	P06001114	INDICATOR PLATE
1115	P06001115	INDICATOR PLATE

REF	PART #	DESCRIPTION
1116	P06000141	RIVET 2 X 5MM
1117	P06001117	OIL-SEAL
1118	P06001118	FEMALE KNOB M10-1.5
1119	P06001119	SHAFT
1120	PRP05M	ROLL PIN 5 X 30MM
1121	P06001121	LEVER
1122	PS09M	PHLP HD SCR M5-.8 X 10
1123	PS22M	PHLP HD SCR M5-.8 X 25
1124	P06001124	SPACER
1125	PRP24M	ROLL PIN 5 X 16MM
1126	P06001126	OIL PLUG
1127	P06001127	OIL PLUG
1128	P06001128	TOP COVER
1129	P06001129	HANDLE HUB



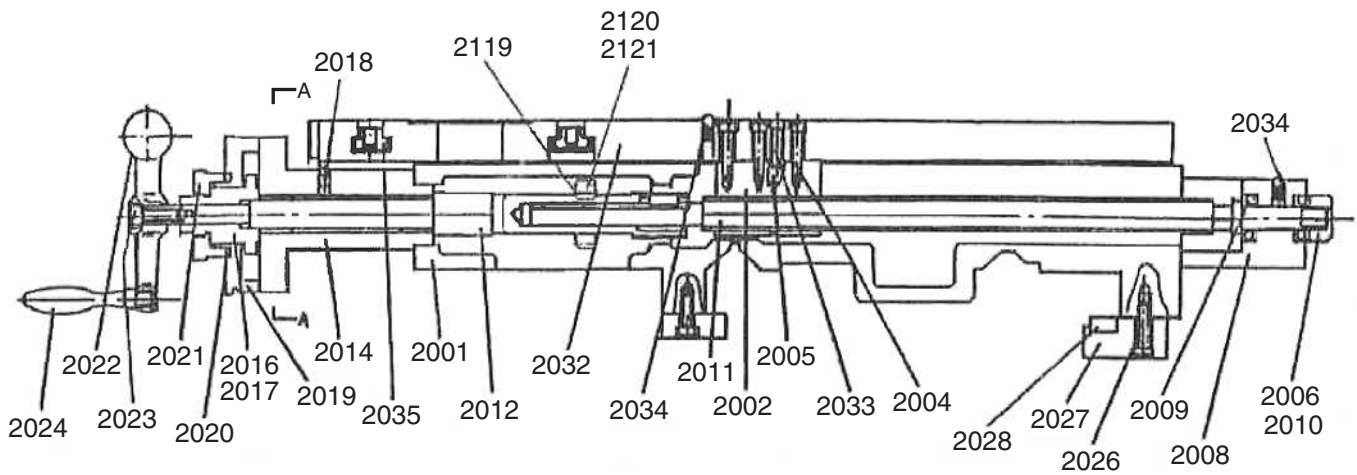
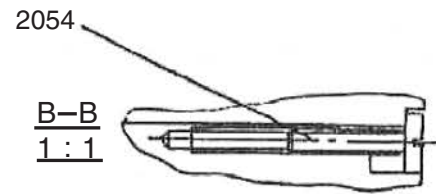
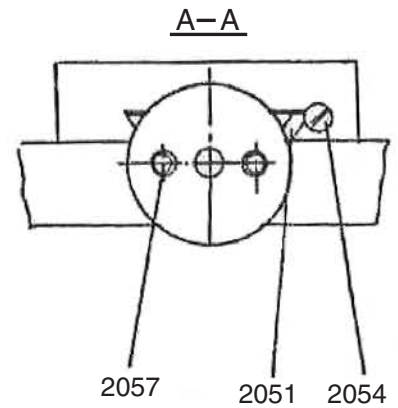
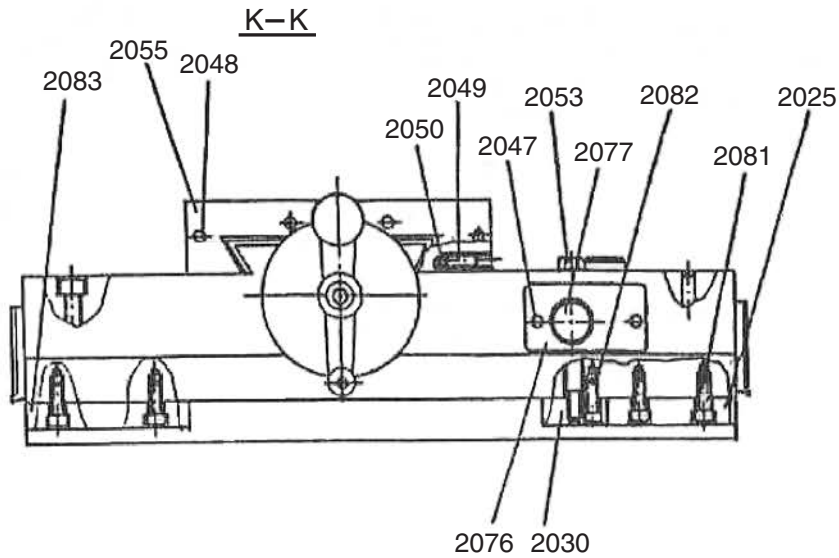
Carriage

(2000 Series Parts)



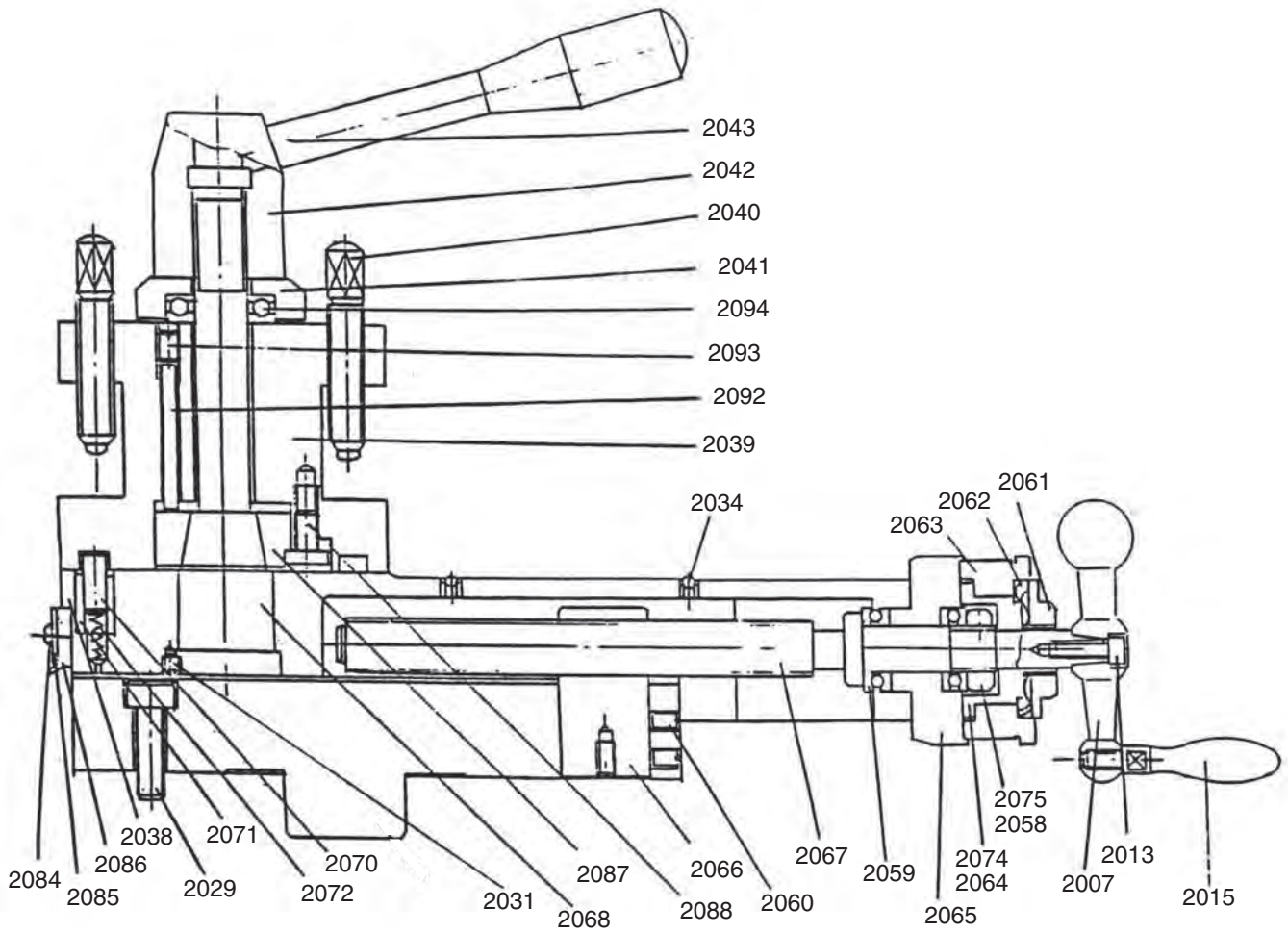
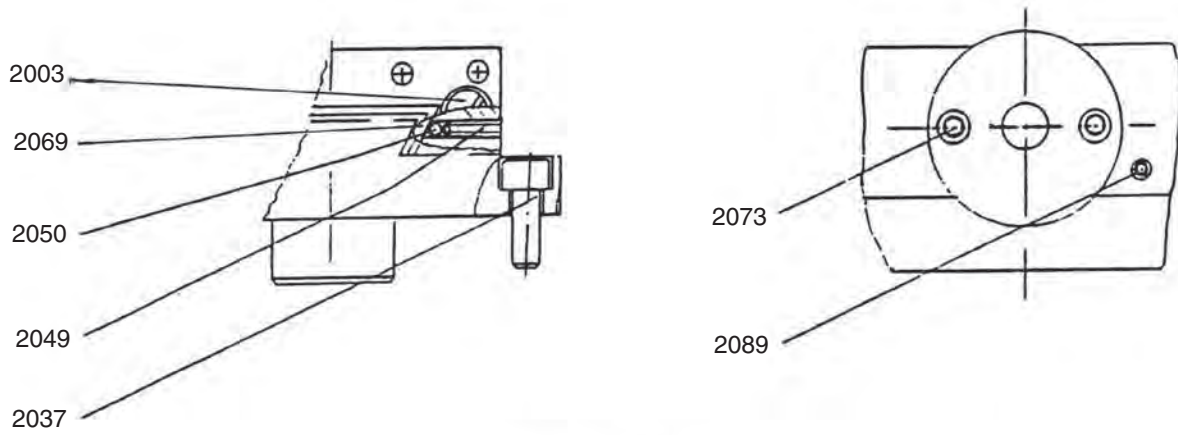
Cross Slide & Carriage

(2000 Series Parts)

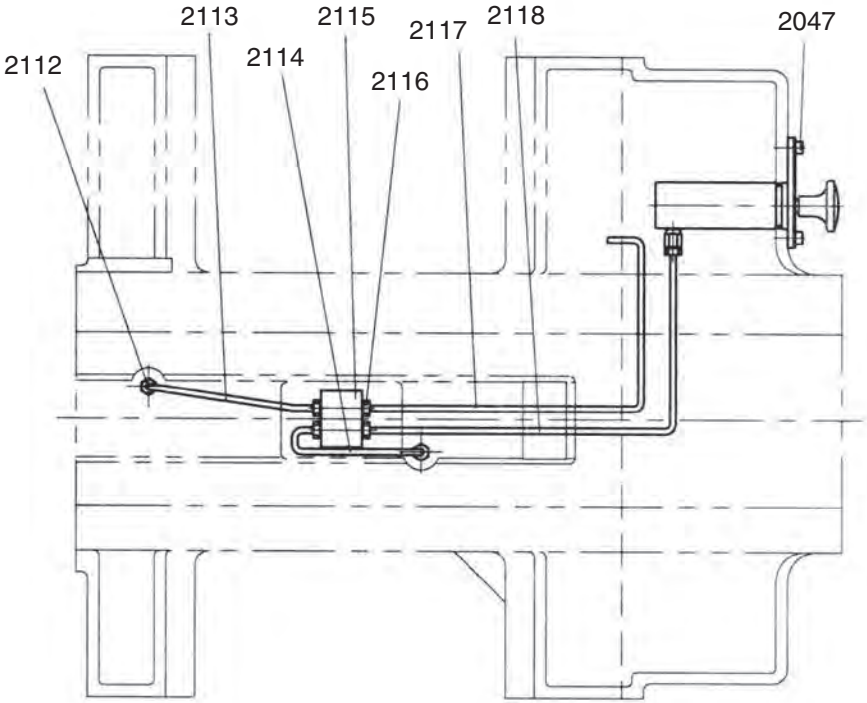
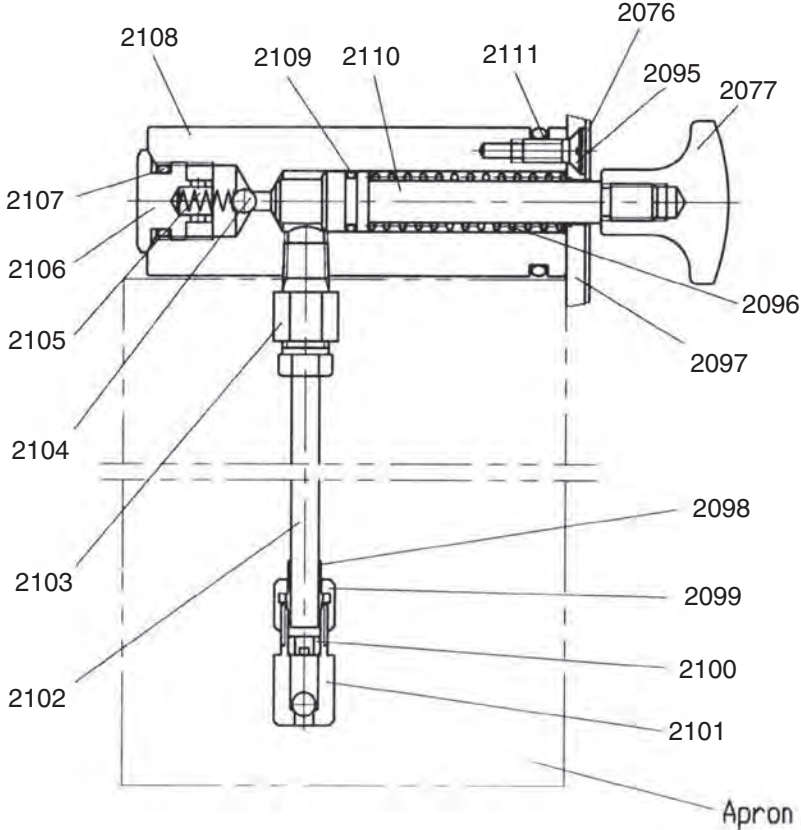


Compound Slide & Tool Post

(2000 Series Parts)



Carriage Oil Pump System (2000 Series Parts)



REF	PART #	DESCRIPTION
2000	P06002000	FLANGE NUT M20-2.5
2001	P06002001	SADDLE
2002	P06002002	NUT (INCH)
2003	P06002003	GIB SCREW
2004	PSB48M	CAP SCREW M6-1 X 35
2005	P06002005	GIB
2006	PSB68M	CAP SCREW M6-1 X 8
2007	P06002007	HANDLE
2008	P06002008	BRACKET
2009	P06002009	THRUST BEARING 8101
2010	P06002010	HEX NUT
2011	P06002011	CROSS FEED SCREW (INCH)
2012	P06002012	CROSS FEED PINION
2013	PSB04M	CAP SCREW M6-1 X 10
2014	P06002014	BRACKET
2015	P06002015	HANDLE
2016	PSS03M	SET SCREW M6-1 X 8
2017	P06002017	CLUTCH-DIAL
2018	P06002018	BALL OILER
2019	P06002019	CROSS FEED DIAL
2020	P06002020	WAVY WASHER
2021	P06002021	BARREL NUT
2022	P06002022	CRACK HANDLE
2023	PSB11M	CAP SCREW M8-1.25 X 16
2024	P06002024	HANDLE
2025	P06002025	GIB (LEFT-FRONT)
2026	PSB13M	CAP SCREW M8-1.25 X 30
2027	P06002027	GIB CRADLE
2028	P06002028	GIB
2029	PSB90M	CAP SCREW M10-1.5 X 55
2030	P06002030	CARRIAGE CLAMP
2031	P06002031	KNURLED WASHER
2032	P06002032	CROSS SLIDE COVER
2033	PSB13M	CAP SCREW M8-1.25 X 30
2034	P06002034	BALL OILER
2035	P06002035	HEX NUT
2037	PSB47M	CAP SCREW M10-1.5 X 40
2038	P06002038	COMPOUND REST
2039	P06002039	TOOL POST SPECIAL 500 SERIES
2040	P06002040	SQUARE HEAD BOLT M12-1.75 X 50
2041	P06002041	BARREL SLEEVE
2042	P06002042	HANDLE HUB
2043	P06002043	LEVER M12-1.75
2044	P06002044	LEFT FRONT CARRIAGE WAY WIPER
2046	P06002046	RIGHT FRONT CARRIAGE WAY WIPER
2047	PS08M	PHLP HD SCR M5-.8 X 12
2048	PS02M	PHLP HD SCR M4-.7 X 12
2049	PSB52M	CAP SCREW M8-1.25 X 10
2050	P06002050	STEEL BALL 1/4"

REF	PART #	DESCRIPTION
2051	P06002051	GIB
2052	P06002052	LEFT REAR CARRIAGE WAY WIPER
2053	P06002053	CARRIAGE CLAMP
2054	P06002054	GIB SCREW
2055	P06002055	RUBBER WIPER
2056	P06002056	WIPER
2057	P06002057	SET SCREW M8-1.25 X 70
2058	P06002058	SPANNER NUT
2059	P06002059	THRUST BEARING 8102
2060	PSS01M	SET SCREW M6-1 X 10
2061	P06002061	BARREL NUT
2062	P06002062	WAVY WASHER
2063	P06002063	DIAL-COMPOUND REST (INCH)
2064	P06002064	CLUTCH DIAL
2065	P06002065	DIAL HOUSING
2066	P06002066	HALF NUT (INCH)
2067	P06002067	LEAD SCREW
2068	P06002068	TOOL POST SHAFT
2069	P06002069	GIB
2070	P06002070	GUIDE PIN
2071	P06002071	SLEEVE
2072	P06002072	COMPRESSION SPRING
2073	PSB02M	CAP SCREW M6-1 X 20
2074	PSS31M	SET SCREW M5-.8 X 8
2075	PSB85M	CAP SCREW M6-1 X 6
2076	P06002076	END PLATE
2077	P06002077	HANDLE
2078	PSB71M	CAP SCREW M10-1.5 X 60
2079	P06002079	TAPER PIN 8 X 60MM
2080	P06002080	OIL PLUG
2081	PSB14M	CAP SCREW M8-1.25 X 20
2082	PSB02M	CAP SCREW M6-1 X 20
2083	P06002083	GIB (FRONT)
2084	PS02M	PHLP HD SCR M4-.7 X 12
2085	P06002085	RUBBER WIPER
2086	P06002086	RUBBER WIPER
2087	P06002087	TOOL HOLDER SPECIAL SERIES
2088	PN09M	HEX NUT M12-1.75
2089	PSB12M	CAP SCREW M8-1.25 X 40
2091	P06002091	RIGHT REAR CARRIAGE WAY WIPER
2092	P06002092	STUD M12-1.75 X 60
2093	P06002093	PISTON FOOT
2094	P06002094	CAP SCREW M16-2 X 12
2095	PFH07M	FLAT HD SCR M5-.8 X 10
2096	P06002096	COMPRESSION SPRING
2097	P06002097	BOTTOM PLATE
2098	P06002098	TUBE FITTING
2099	P06002099	TUBE NUT

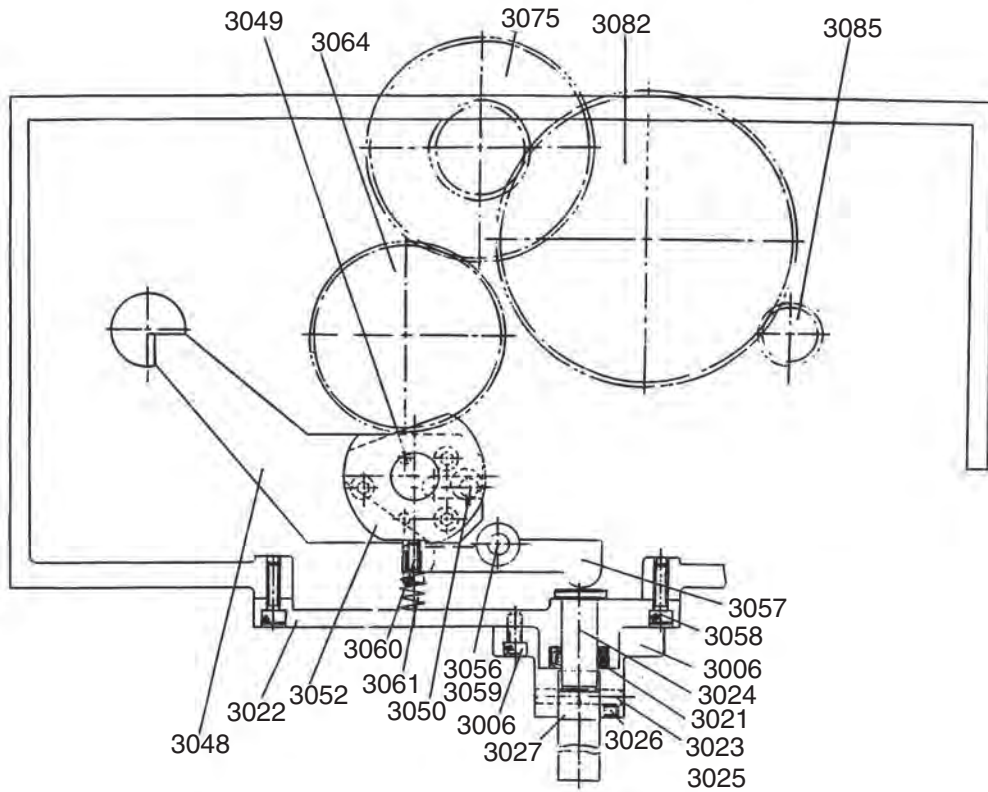
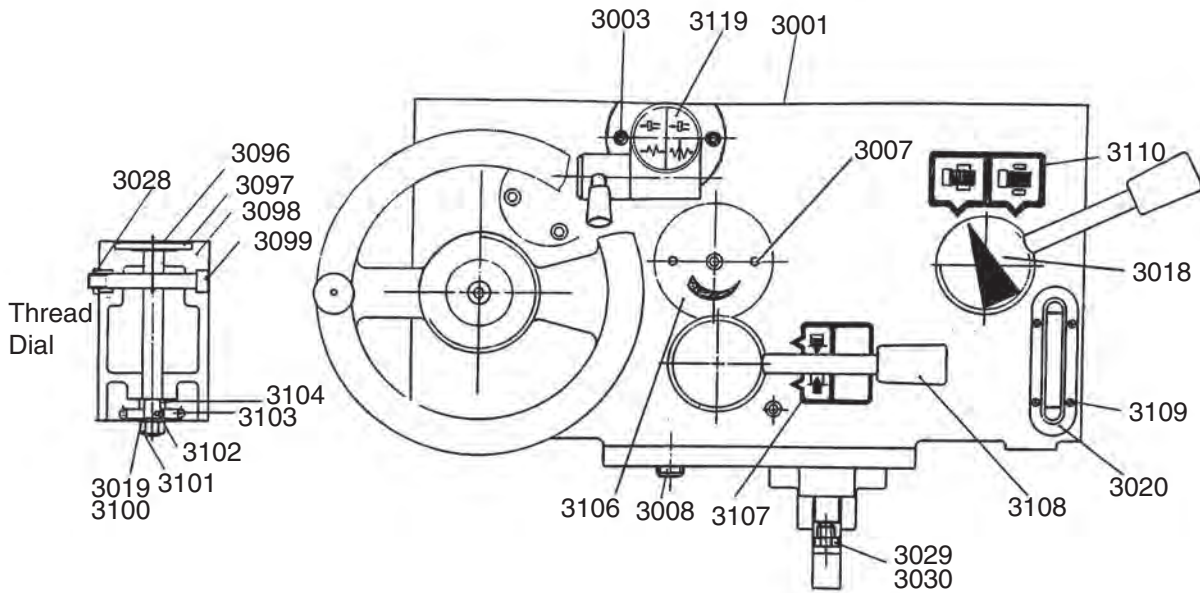


REF	PART #	DESCRIPTION
2100	P06002100	SLEEVE
2101	P06002101	CHECK VALVE
2102	P06002102	BRASS TUBE 6 X 170MM
2103	P06002103	TUBE FITTING
2104	P06002104	STEEL BALL 5MM
2105	P06002105	COMPRESSION SPRING
2106	P06002106	END PLUG
2107	P06001084	O-RING 16 X 2.4MM
2108	P06002108	PUMP BODY
2109	P06002109	O-RING 9 X 1.8MM
2110	P06002110	PISTON ROD
2111	P06002111	O-RING 32 X 3.1MM

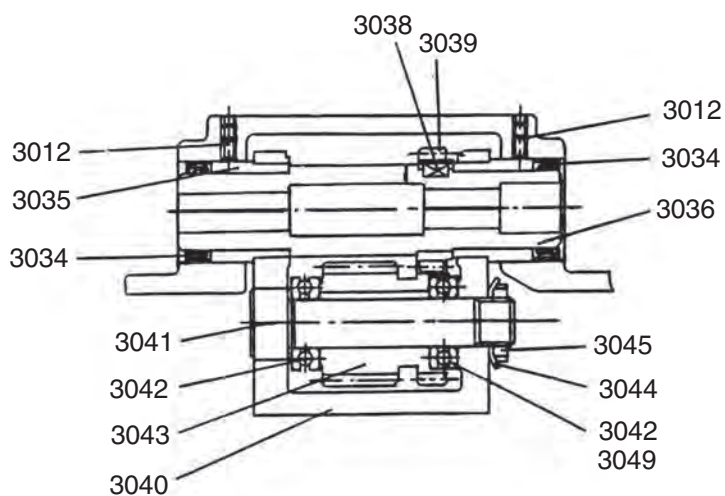
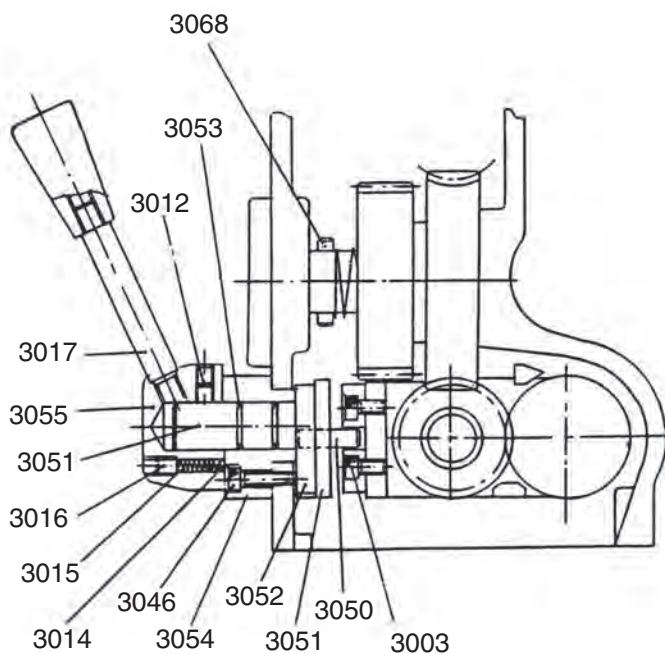
REF	PART #	DESCRIPTION
2112	P06002112	TUBE FITTING
2113	P06002113	BRASS TUBE 4 X 200MM
2114	P06002114	BRASS TUBE 4 X 170MM
2115	P06002115	MANIFOLD
2116	P06002116	SLEEVE AND FITTING
2117	P06002117	BRASS TUBE 4 X 390MM
2118	P06002118	BRASS TUBE 4 X 410MM
2119	PR58M	EXT RETAINING RING 24MM
2120	P06002120	GEAR 19T X M2
2121	PK70M	KEY 8 X 8 X 12MM
2122	P06002122	FEMALE KNOB M12-1.75
2123	P06002123	FEMALE KNOB M12-1.75



Apron Face, Thread Dial, Auto Stop System (3000 Series Parts)



Apron Feed Rod, Clutch and Lever System (3000 Series Parts)



REF	PART #	DESCRIPTION
3001	P06003001	APRON CASE
3002	P06003002	GIB
3003	PSB26M	CAP SCREW M6-1 X 12
3004	P06003004	LEAD NUT ASSY (INCH)
3005	P06003005	HAFT NUT (INCH)
3006	PSB01M	CAP SCREW M6-1 X 16
3007	P06000141	RIVET 2 X 5MM
3008	P06003008	OIL PLUG
3009	P06003009	KEY
3010	P06003010	SHAFT
3011	P06002111	O-RING 32 X 3.5MM
3012	PSS16M	SET SCREW M8-1.25 X 10
3013	P06003013	SHAFT SLEEVE
3014	P06003014	STEEL BALL 1/4"
3015	P06003015	COMPRESSION SPRING
3016	PSB52M	CAP SCREW M8-1.25 X 10
3017	P06003017	LEVER
3018	P06003018	POINTER PLATE
3019	PRP35M	ROLL PIN 5 X 10MM
3020	P06003020	OIL SIGHT
3021	P06003021	GUIDE PIN
3022	P06003022	BOTTOM COVER
3023	P06003023	OIL SEAL
3024	P06003024	BRACKET
3025	P06003025	DOWEL PIN 8 X 40MM
3026	PSB85M	CAP SCREW M6-1 X 6
3027	P06003027	LEVER
3028	P06003028	SPACER
3029	PSS19M	SET SCREW M8-1.25 X 30
3030	PN03M	HEX NUT M8-1.25
3031	P06003031	LEVER HUB
3032	P06003032	CHANGE SLEEVE
3033	PS09M	PHLP HD SCR M5-.8 X 10
3034	P06003034	OIL SEAL
3035	P06003035	BUSHING
3036	P06003036	FEED ROD SLEEVE
3037	P06003037	PLUG
3038	PK81M	KEY 6 X 6 X 12MM
3039	P06003039	GEAR 24T X M2
3040	P06003040	WORM SEAT
3041	P06003041	SHAFT
3042	P06001060	THRUST BEARING 8104
3043	P06003043	WORM GEAR
3044	P06003044	TAB WASHER 20MM
3045	P06003045	SPANNER NUT M20-1.5
3046	PSB02M	CAP SCREW M6-1 X 20
3047	P06003047	STEEL BALL 7/32"
3048	P06003048	BLOCK
3049	P06003049	FLAT WASHER
3050	P06003050	DOWEL PIN 8 X 25MM

REF	PART #	DESCRIPTION
3051	P06003051	SHAFT
3052	P06003052	BUFFER
3053	P06000169	O-RING 20 X 2.4MM
3054	P06003054	SLEEVE
3055	P06003055	LEVER HUB
3056	PR01M	EXT RETAINING RING 10MM
3057	P06003057	LEVER SHAFT
3058	PSB58M	CAP SCREW M8-1.25 X 12
3059	P06003059	SPECIAL SCREW
3060	PS05M	PHLP HD SCR M5-.8 X 8
3061	P06003061	COMPRESSION SPRING
3062	P06003062	COVER
3063	P06001067	BALL BEARING 180105
3064	P06003064	WORM GEAR
3065	P06003065	GEAR 36T X M2
3066	PK70M	KEY 8 X 8 X 12MM
3067	P06003067	SHAFT
3068	P06003068	GUIDE PIN
3069	P06003069	SLEEVE
3070	P06003070	HANDLE LEVER
3071	PSS73M	SET SCREW M10-1.5 X 30
3072	P6204	BALL BEARING 6204
3073	P06003073	COVER
3074	PR09M	EXT RETAINING RING 20MM
3075	P06003075	GEAR 46T X M2/18T X M2
3076	P06003076	SHAFT
3077	P06003077	PINION
3078	PK07M	KEY 6 X 6 X 20MM
3079	PSB58M	CAP SCREW M8-1.25 X 12
3080	P06003080	SPACER
3081	P06003081	CAP SCREW M8-1.25 X 8
3082	P06003082	GEAR 61T X M2
3083	P06003083	BALL BEARING 103
3084	P06003084	COVER
3085	P06003085	SHAFT
3086	PK45M	KEY 6 X 6 X 24MM
3087	P06003087	SEAT
3088	PSB06M	CAP SCREW M6-1 X 25
3089	P06003089	NEEDLE BEARING 4644903
3090	P06003090	BEARING 2010
3091	P06003091	DIAL-RACK
3092	P06003092	HAND WHEEL
3093	P06003093	HANDLE
3094	P06003094	FLAT WASHER
3095	P06003095	SPECIAL SCREW
3096	P06003096	DIAL FACE
3097	P06003097	DIAL INDICATOR SHAFT
3098	P06003098	THREAD DIAL BODY
3099	P06003099	CAP SCREW M8-1.25 X 85



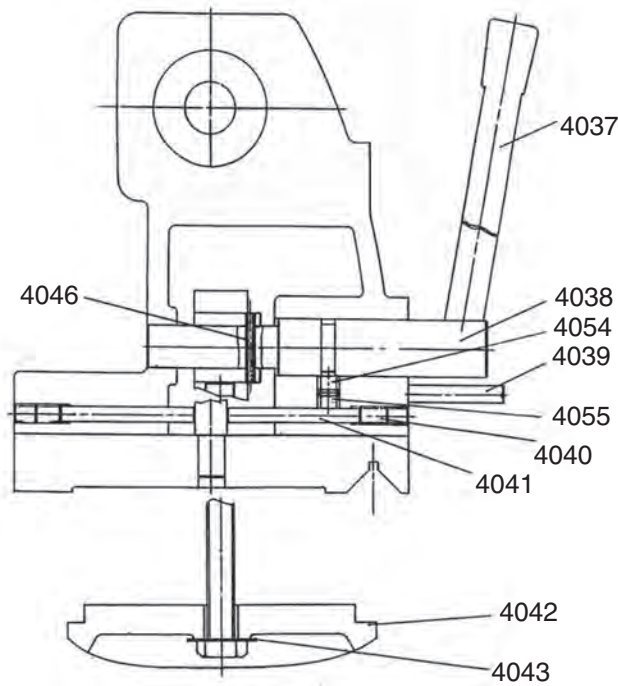
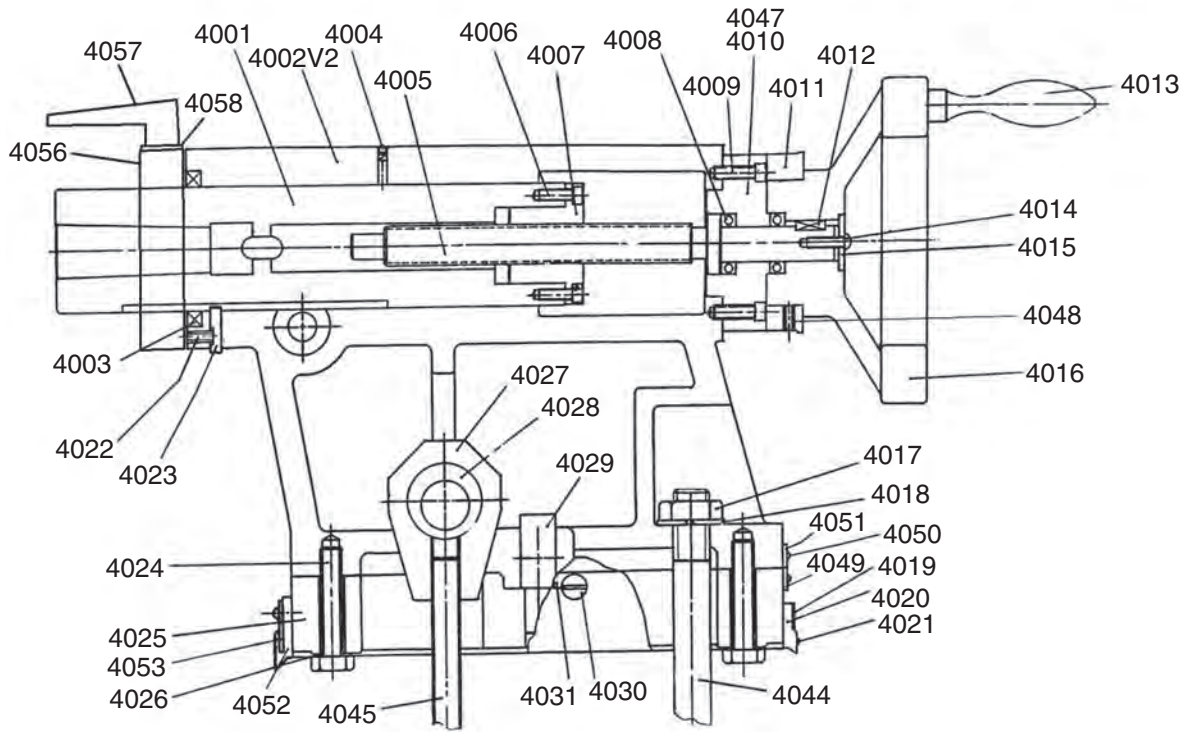
REF	PART #	DESCRIPTION
3100	PLW06M	LOCK WASHER 10MM
3101	PN02M	HEX NUT M10-1.5
3102	P06003102	DOWEL PIN 3 X 8MM
3103	P06003103	GEAR 16T X M2
3104	P06003104	SPACER
3105	PSB38M	CAP SCREW M5-.8 X 25
3106	P06003106	INDICATOR PLATE
3107	P06003107	INDICATOR PLATE
3108	P06003108	FEMALE KNOB M10-1.5
3109	PS38M	PHLP HD SCR M4-.7 X 10

REF	PART #	DESCRIPTION
3110	P06003110	INDICATOR PLATE
3111	P06003111	SPACER
3112	P06003112	FLAT SPRING
3113	P06003113	COMPRESSION SPRING
3114	PN01M	HEX NUT M6-1
3115	PSS25M	SET SCREW M6-1 X 20
3116	P06003116	BALL OILER
3117	PS52M	PHLP HD SCR M4-.7 X 20
3118	P06003118	SHOULDER WASHER
3119	P06003119	INDICATOR PLATE



Tailstock

(4000 Series Parts)



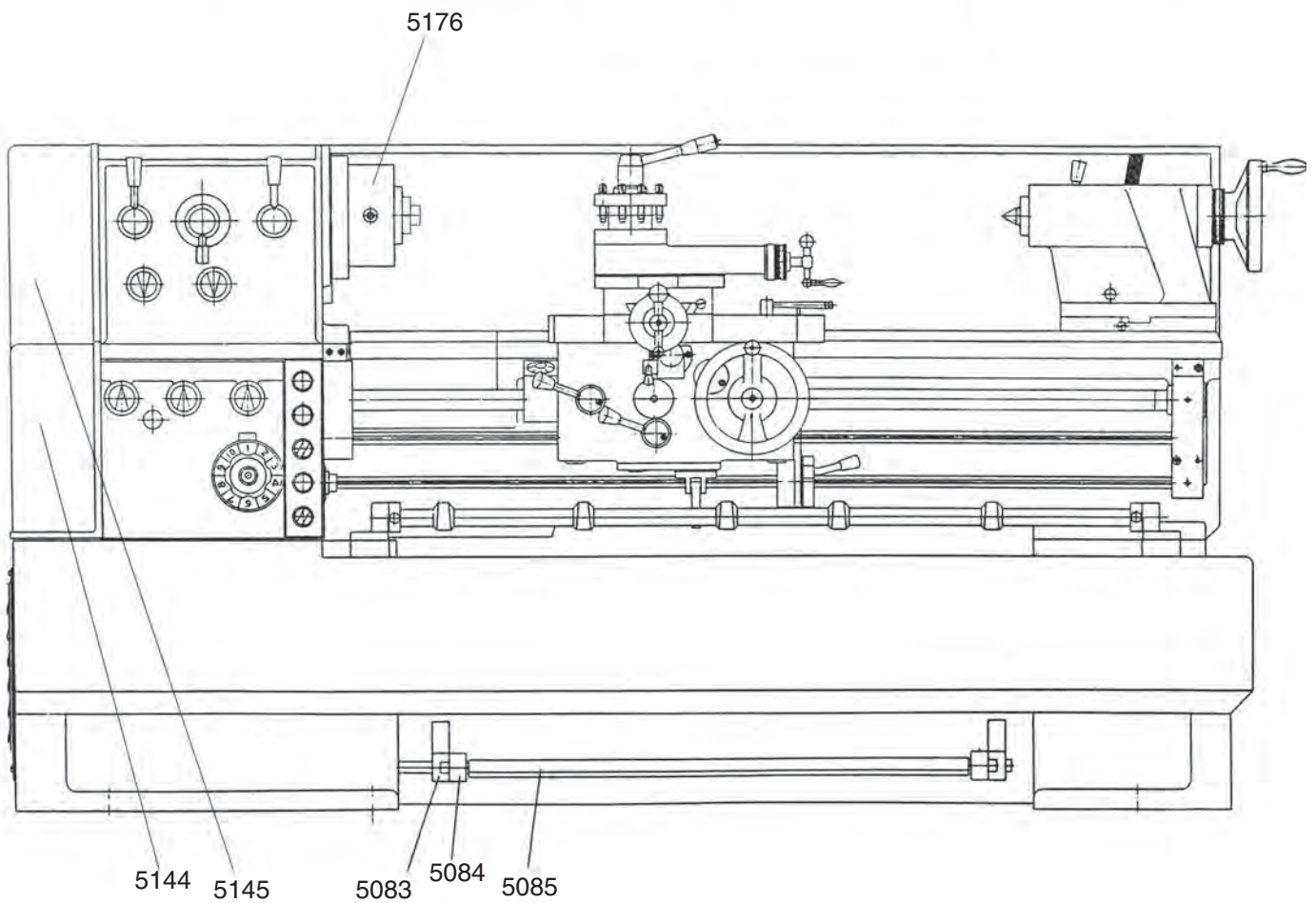
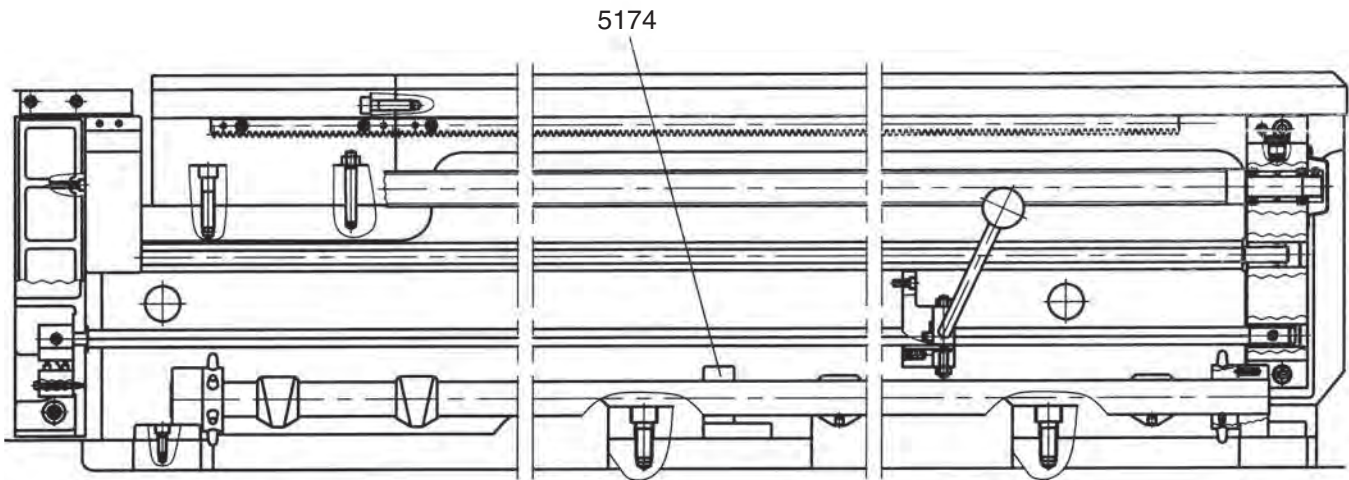
REF	PART #	DESCRIPTION
4001	P06004001	QUILL
4002V2	P06004002V2	TAILSTOCK BODY V2.07.11
4003	P06004003	OIL SEAL
4004	P06004004	BALL OILER
4005	P06004005	FEED SCREW (INCH)
4006	PSB01M	CAP SCREW M6-1 X 16
4007	P06004007	FEED NUT (INCH)
4008	P06004008	THRUST BEARING 8105
4009	PSB01M	CAP SCREW M6-1 X 16
4010	P06004010	END CAP
4011	P06004011	DIAL-FEED (INCH)
4012	PK07M	KEY 6 X 6 X 20MM
4013	P06004013	HANDLE
4014	PS22M	PHLP HD SCR M5-.8 X 25
4015	P06004015	FLAT WASHER
4016	P06004016	HANDLE WHEEL
4017	PN28M	HEX NUT M20-2.5
4018	PLW07M	LOCK WASHER 20MM
4019	P06004019	WIPER RETAINER
4020	P06004020	RUBBER WIPER
4021	PS02M	PHLP HD SCR M4-.7 X 12
4022	PSB04M	CAP SCREW M6-1 X 10
4023	P06004023	PIN SHAFT
4024	PB140M	HEX BOLT M12-1.75 X 70
4025	P06004025	TAILSTOCK BASE
4026	PLW05M	LOCK WASHER 12MM
4027	P06004027	BOLT-CLAMP

REF	PART #	DESCRIPTION
4028	P06004028	SLEEVE
4029	P06004029	ADJUSTMENT BLOCK
4030	P06004030	SPECIAL SCREW
4031	P06004031	GIB
4037	P06004037	LEVER
4038	P06004038	SHAFT
4039	P06004039	SPECIAL SCREW
4040	PSS65M	SET SCREW M16-2 X 20
4041	P06004041	SHAFT
4042	P06004042	CLAMP SHOE
4043	PLW07M	LOCK WASHER 20MM
4044	P06004044	HEX BOLT M20-2.5 X 150
4045	P06004045	HEX BOLT M20-2.5 X 100
4046	PRP31M	ROLL PIN 6 X 36MM
4047	P06004047	BALL OILER
4048	PSS24M	SET SCREW M5-.8 X 25
4049	P06004049	SCALE PLATE
4050	P06000141	RIVET 2 X 5MM
4051	P06004051	SCALE PLATE
4052	P06004052	RUBBER WIPER
4053	P06004053	WIPER PLATE
4054	PSB62M	CAP SCREW M10-1.5 X 12
4055	PSS30M	SET SCREW M10-1.5 X 10
4056	P06004056	QUILL LOCK CLAMP ASSEMBLY
4057	P06004057	LOCK LEVER ASSEMBLY
4058	P06004058	LOCK LEVER FLAT WASHER



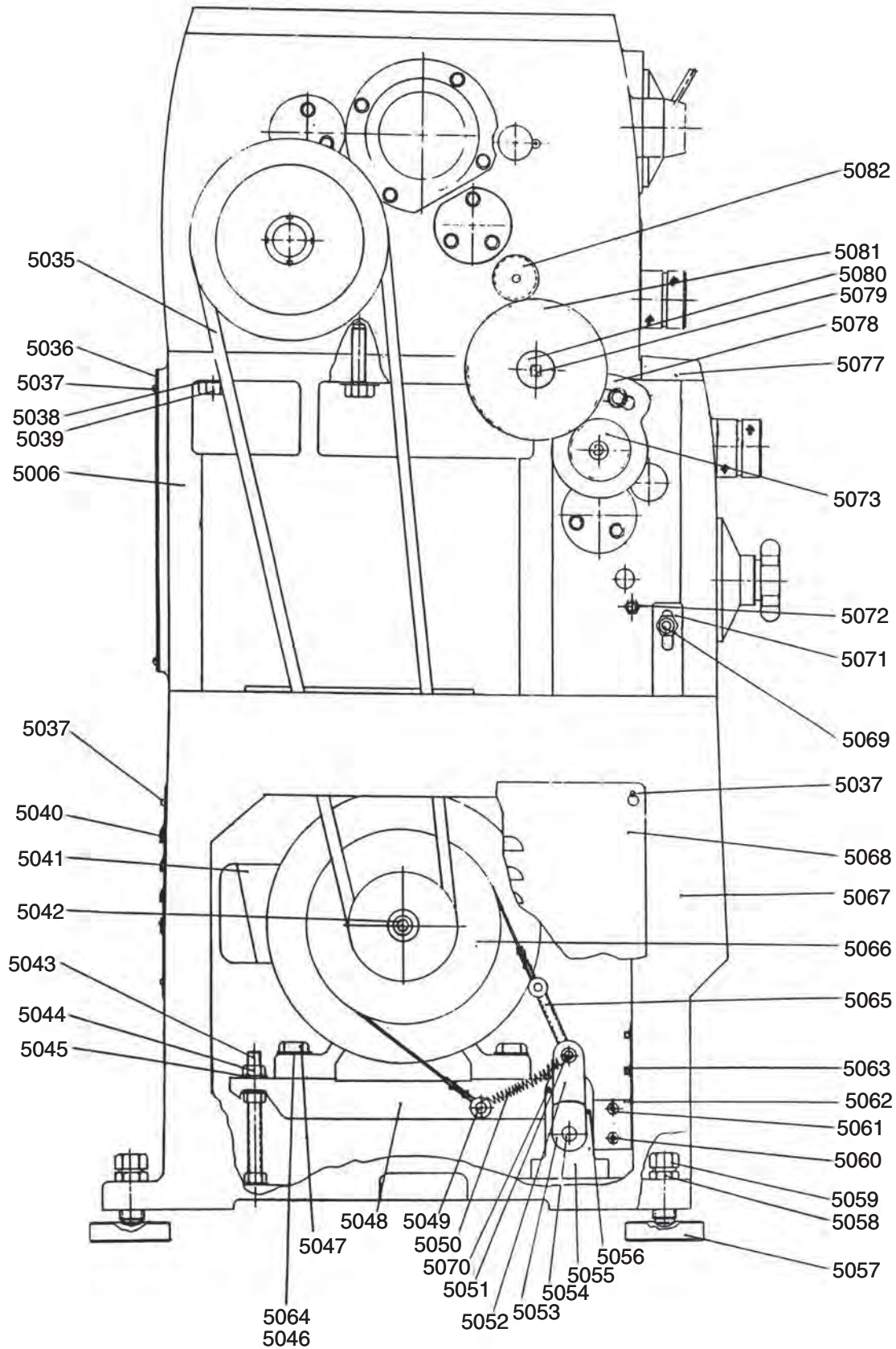
Brake Pedal and Headstock Panels

(5000 Series Parts)

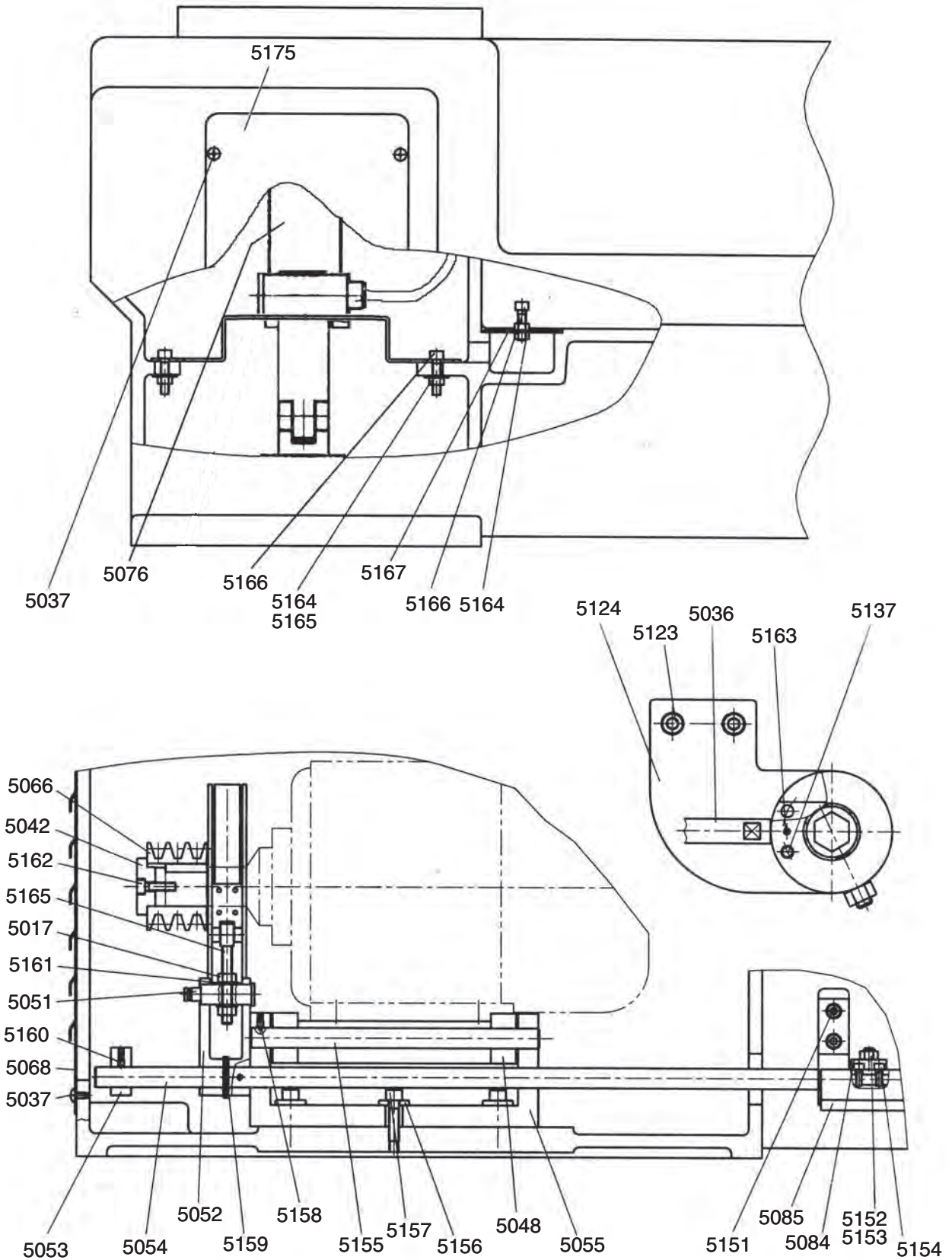


Brake System and Change Gears

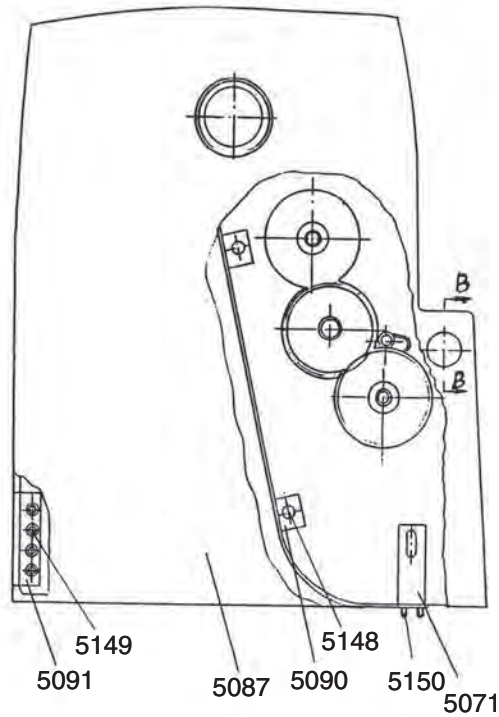
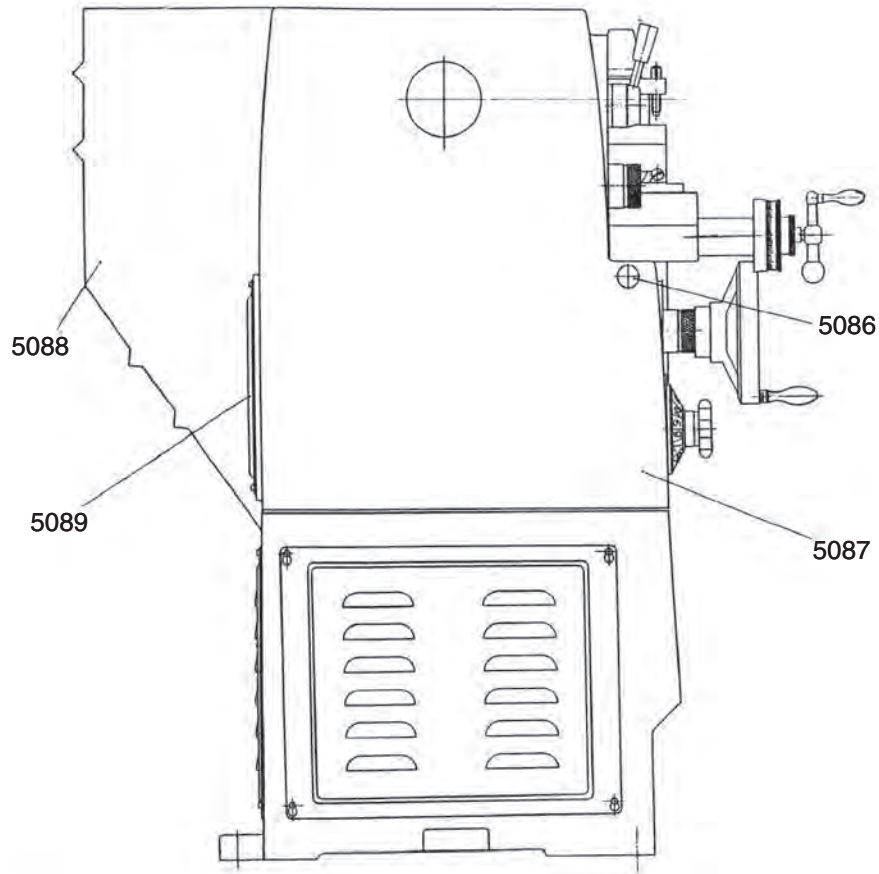
(5000 Series Parts)



Motor and Headstock Mounting (5000 Series Parts)

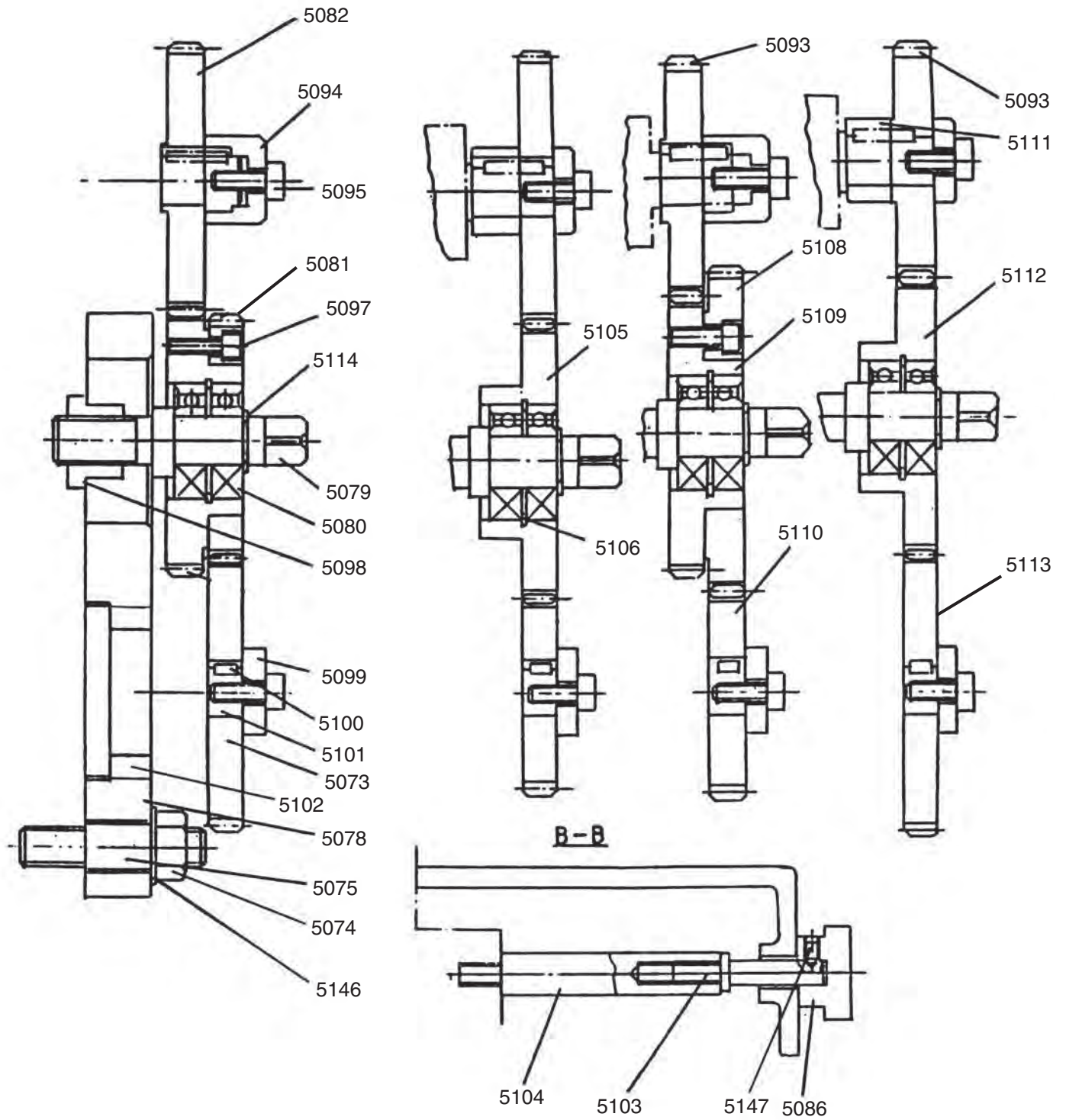


End Covers and Splash Guard (5000 Series Parts)



Change Gear System

(5000 Series Parts)



REF	PART #	DESCRIPTION
5001	P06005001	SWITCH SEAT
5002	P06005002	LEAD SCREW (INCH)
5003	P06005003	RACK
5004	PRP05M	ROLL PIN 5 X 30MM
5005	PSB06M	CAP SCREW M6-1 X 25
5006	P06005006	BED
5007	P06005007	TAPER PIN 10 X 45MM
5008	PSB47M	CAP SCREW M10-1.5 X 40
5009	P06005009	HOUSING
5010	P06005010	BARREL NUT
5011	P06004008	THRUST BEARING 8105
5012	P06005012	PLUG
5013	P06005013	BUSHING
5014	P06005014	PLUG
5015	P06005015	BUSHING
5016	P06005016	BRACKET
5017	PN02M	HEX NUT M10-1.5
5018	P06005018	COMPRESSION SPRING
5019	P06005019	STEEL BALL 6MM
5020	P06005020	STAR DIAL
5021	PSB68M	CAP SCREW M6-1 X 8
5022	P06005022	CAM
5023	P06005023	FEED ROD
5024	P06005024	START ROD
5025	P06005025	STAR DIAL
5026	P06005026	BRACKET
5027	P06005027	LIMIT SWITCH
5028	PS65M	PHLP HD SCR M4-.7 X 40
5029	P06005029	LIGHT SEAT
5030	PSB31M	CAP SCREW M8-1.25 X 25
5031	P06005031	SPACER
5032	P06005032	CLAMP SHOE
5033	P06005033	CAP SCREW M8-1.25 X 6
5034	P06005034	AUTO STOP ROD
5035	P06005035	V-BELT B76
5036	P06005036	CONDUIT
5037	PS03M	PHLP HD SCR M6-1 X 8
5038	PLW10M	LOCK WASHER 16MM
5039	PB80M	HEX BOLT M16-2 X 55
5040	P06005040	MOTOR COVER
5041	P06005041	MOTOR
5042	P06005042	SHOULDER WASHER
5043	P06005043	CAP SCREW
5044	PN13M	HEX NUT M16-2
5045	PW08M	FLAT WASHER 16MM
5046	PLW06M	LOCK WASHER 10MM
5047	PB14M	HEX BOLT M10-1.5 X 35
5048	P06005048	MOTOR SEAT

REF	PART #	DESCRIPTION
5049	P06005049	SHAFT
5050	P06005050	TENSION SPRING
5051	P06005051	SHAFT
5052	P06005052	BRAKE LEVER
5053	P06005053	CAM
5054	P06005054	SHAFT
5055	P06005055	MOTOR SEAT BRACKET
5056	P06005056	LIMIT SWITCH
5057	P06005057	LEVELING BLOCK
5058	P06005058	SPECIAL NUT M24-2
5059	P06005059	FOOT STUD
5060	PS52M	PHLP HD SCR M4-.7 X 20
5061	PN04M	HEX NUT M4-.7
5062	P06005062	LIMIT SWITCH SEAT
5063	PS09M	PHLP HD SCR M5-.8 X 10
5064	PW04M	FLAT WASHER 10MM
5065	P06005065	BRAKE BAND ASSY
5066	P06005066	PULLEY
5067	P06005067	STAND
5068	P06005068	MOTOR COVER
5069	P06005069	LIMIT SWITCH
5070	PS05M	PHLP HD SCR M5-.8 X 8
5071	P06005071	LIMIT SWITCH SEAT
5072	P06005072	DOOR LOCK STUD
5073	P06005073	GEAR 56T X 2.25
5074	PN13M	HEX NUT M16-2
5075	P06005075	STUD
5077	P06005077	TOP COVER
5078	P06005078	SWING BRACKET
5079	P06005079	SPINDLE STUD
5080	P06005080	BALL BEARING 16204
5081	P06005081	GEAR 49T X 2.25
5082	P06005082	GEAR 55T X 2.25
5083	P06005083	BRACKET
5084	P06005084	ARM
5085	P06005085	BRAKE PEDAL
5086	P06005086	THUMB KNOB
5087	P06005087	SAFETY DOOR
5088	P06005088	GUARD ASSEMBLY
5089	P06005089	COVER
5090	P06005090	OIL GUARD
5091	P06005091	HINGE
5093	P06005093	GEAR 48T X 2.25
5094	P06005094	SPACER
5095	PSB14M	CAP SCREW M8-1.25 X 20
5097	PSB04M	CAP SCREW M6-1 X 10
5098	P06005098	SPACER
5099	P06005099	SPACER

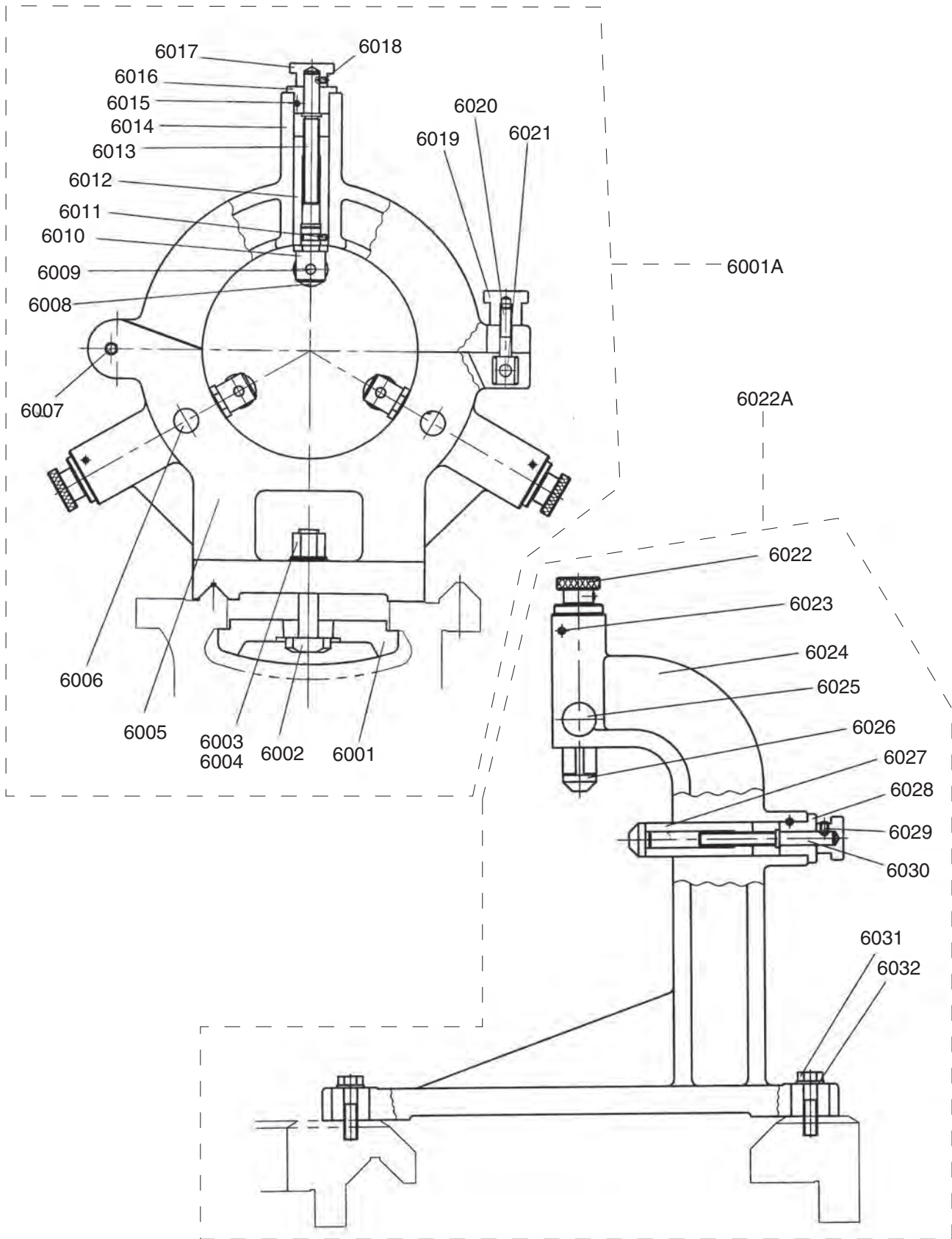


REF	PART #	DESCRIPTION
5100	P06005100	KEY 6 X 6 X 10
5101	P06005101	SHAFT
5102	P06005102	SPACER
5103	P06005103	PLATE SCREW
5104	P06005104	PLATE SCREW
5105	P06005105	GEAR 57T X 2.25
5106	P06005106	EXT RETAINING RING 47MM
5108	P06005108	GEAR 66T X 2.25
5109	P06005109	GEAR 57T X 2.25
5110	P06005110	GEAR 42T X 2.25
5111	P06005111	SPACER
5112	P06005112	GEAR 57T X 2.25
5113	P06005113	GEAR 57T X 2.25
5114	P06005114	EXT RETAINING RING 20MM
5115	P06005115	STUD- SE M6-1 X 70 24
5116	P06005116	THREADING PLATE
5117	P06005117	PHLP HD SCR M5-.8 X 8
5118	P06005118	BED GAP
5119	P06005119	CAP SCREW M12-1.75 X 50
5120	P06005120	BOLT PIN 10 X 75MM
5121	P06005121	HEX NUT M10-1.5
5122	P06005122	CAP SCREW M10-1.5 X 40
5123	P06005123	CAP SCREW M6-1 X 16
5124	P06005124	BRACKET
5125	P06005125	BRACKET
5126	P06005126	SET SCREW M8-1.25 X 30
5127	P06005127	HEX NUT M8-1.25
5128	P06005128	FEMALE KNOB M8-1.25
5129	P06005129	BUSHING
5130	P06005130	OIL PLUG
5131	P06005131	PHLP HD SCR M5-.8 X 8
5132	P06005132	COVER
5133	P06005133	SET SCREW M6-1 X 8
5134	P06005134	CAP SCREW M6-1 X 8
5135	P06005135	CAP SCREW M6-1 X 35
5136	P06005136	LEVER
5137	P06005137	GUIDE PIN
5138	P06005138	LOCK WASHER 6MM

REF	PART #	DESCRIPTION
5139	P06005139	COMPRESSION SPRING
5140	P06005140	BUSHING
5141	P06005141	CAP SCREW M8-1.25 X 20
5142	P06005142	CAP SCREW M16-2 X 55
5143	P06005143	LOCK WASHER 16MM
5144	P06005144	WARNING PLATE
5145	P06005145	THREADING CHART PLATE
5146	P06005146	LOCK WASHER 16MM
5147	P06005147	SET SCREW M6-1 X 8
5148	P06005148	CAP SCREW M6-1 X 12
5149	P06005149	PHLP HD SCR M5-.8 X 10
5150	P06005150	CAP SCREW M6-1 X 16
5151	P06005151	CAP SCREW M8-1.25 X 20
5152	P06005152	HEX NUT M10-1.5
5153	P06005153	CAP SCREW M10-1.5 X 25
5154	P06005154	CAP SCREW M6-1 X 16
5155	P06005155	SHAFT
5156	P06005156	LOCK WASHER 10MM
5157	P06005157	CAP SCREW M10-1.5 X 40
5158	P06005158	PHLP HD SCR M6-1 X 8
5159	P06005159	ROLL PIN 5 X 40
5160	P06005160	CAP SCREW M6-1 X 12
5161	P06005161	LOCK WASHER 10MM
5162	P06005162	CAP SCREW M8-1.25 X 30
5163	P06005163	ROLL PIN 3 X 20
5164	P06005164	HEX NUT M8-1.25
5165	P06005165	LOCK WASHER 8MM
5166	P06005166	CAP SCREW M8-1.25 X 30
5167	P06005167	SCREEN
5168	P06005168	COOLANT PUMP BASE
5169	P06005169	CAM
5170	P06005170	CAP SCREW M6-1 X 12
5171	P06005171	BLOCK
5172	P06005172	CAP SCREW M6-1 X 25
5173	P06005173	BLOCK
5174	P06005174	STAR TYPE RING
5175	P06005175	PUMP COVER
5176	P06005176	CHUCK 3-JAW



Steady and Follow Rests (6000 Series Parts)

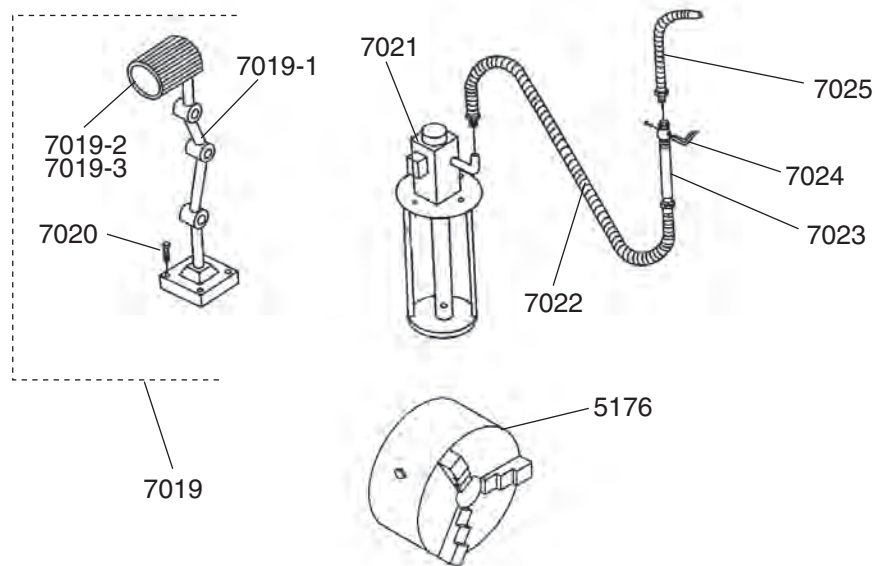
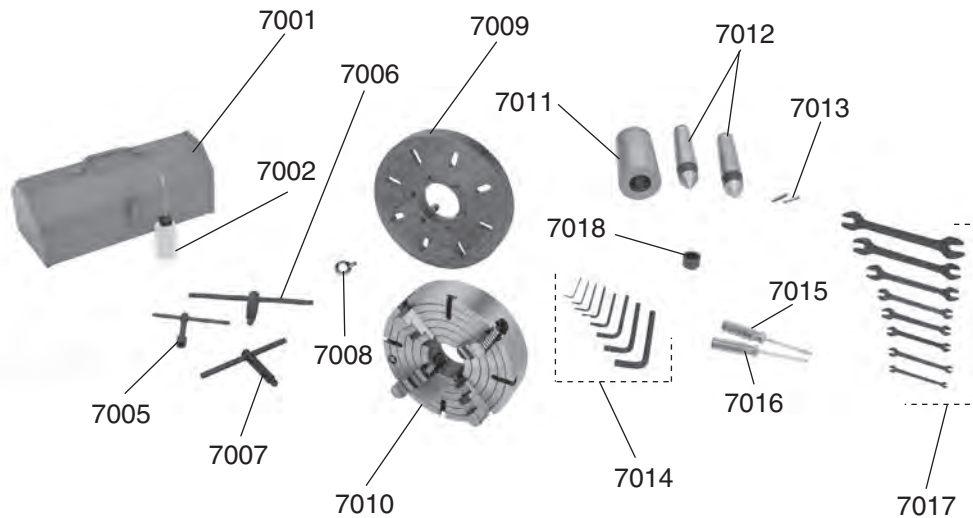


REF	PART #	DESCRIPTION
6001	P06006001	CLAMPING BRACKET
6002	P06006002	HEX BOLT M20-2.5 X 110
6003	P06006003	SPECIAL NUT M20-1.5
6004	PLW07M	LOCK WASHER 20MM
6005	P06006005	STEADY REST BASE
6006	P06006006	LIMIT SCREW
6007	P06006007	DOWEL PIN 10 X 60MM
6008	P06006008	BALL BEARING 180300
6009	P06006009	GUIDE PIN
6010	P06006010	SUPPORT SHAFT
6011	PSB68M	CAP SCREW M6-1 X 8
6012	P06006012	SLEEVE
6013	P06006013	SHAFT
6014	P06006014	UPPER CASTING
6015	PRP30M	ROLL PIN 5 X 50MM
6016	P06006016	BUSHING

REF	PART #	DESCRIPTION
6017	P06006017	ADJUSTMENT KNOB
6018	PSS03M	SET SCREW M6-1 X 8
6019	P06006019	LOCK KNOB
6020	P06006020	CLAMP SCREW
6021	P06006021	DOWEL PIN 10 X 60MM
6022	P06006022	ROTATE HANDLE
6023	PRP26M	ROLL PIN 5 X 26MM
6024	P06006024	FOLLOW REST
6025	P06006025	LIMIT SCREW
6026	P06006026	BRACKET
6027	P06006027	SLEEVE
6028	P06006028	BUSHING
6029	P06006029	SPECIAL SCREW
6030	P06006030	SHAFT
6031	PB31M	HEX BOLT M10-1.5 X 40
6032	PLW06M	LOCK WASHER 10MM



Accessories, Coolant, and Lighting System (7000 Series Parts)



REF	PART #	DESCRIPTION
7001	P06007001	TOOL BOX
7002	P06007002	OIL BOTTLE
7005	P06007005	TOOL POST WRENCH
7006	P06007006	CHUCK 4-JAW WRENCH
7007	P06007007	CHUCK 3-JAW WRENCH
7008	P06007008	CHUCK 4-JAW LIFT EYE
7009	P06007009	FACEPLATE 18"
7010	P06007010	CHUCK 4-JAW
7011	P06007011	TAPERED SPINDLE SLEEVE MT#7-MT#5
7012	P06007012	DEAD CENTER MT#5
7013	P06007013	FEED ROD/LEADSCREW SHEAR PIN
7014	P0667X0815	HEX WRENCH SET 1.5-10MM
7015	P06007015	STANDARD SCREWDRIVER #2

REF	PART #	DESCRIPTION
7016	PSDP2	PHLP HD SCREWDRIVER #2
7017	P06007017	COMBO WRENCH SET 6/30
7018	P06007018	GAP PULLER HUB
7019	P06007019	LAMP ASSEMBLY
7019-1	P06007019-1	BASE AND ARM ASSEMBLY
7019-2	P06007019-2	LENS
7019-3	PBULB3	HALOGEN BULB 26.4V 50W BI-PIN
7020	PCAP06M	CAP SCREW M6-1 X 25
7021	P06007021	MOTOR AND PUMP ASSY
7022	P06007022	SUPPLY FLEX TUBE
7023	P06007023	STANDOFF PIPE
7024	P06007024	FLOW VALVE
7025	P06007025	NOZZLE AND FLEX TUBE

