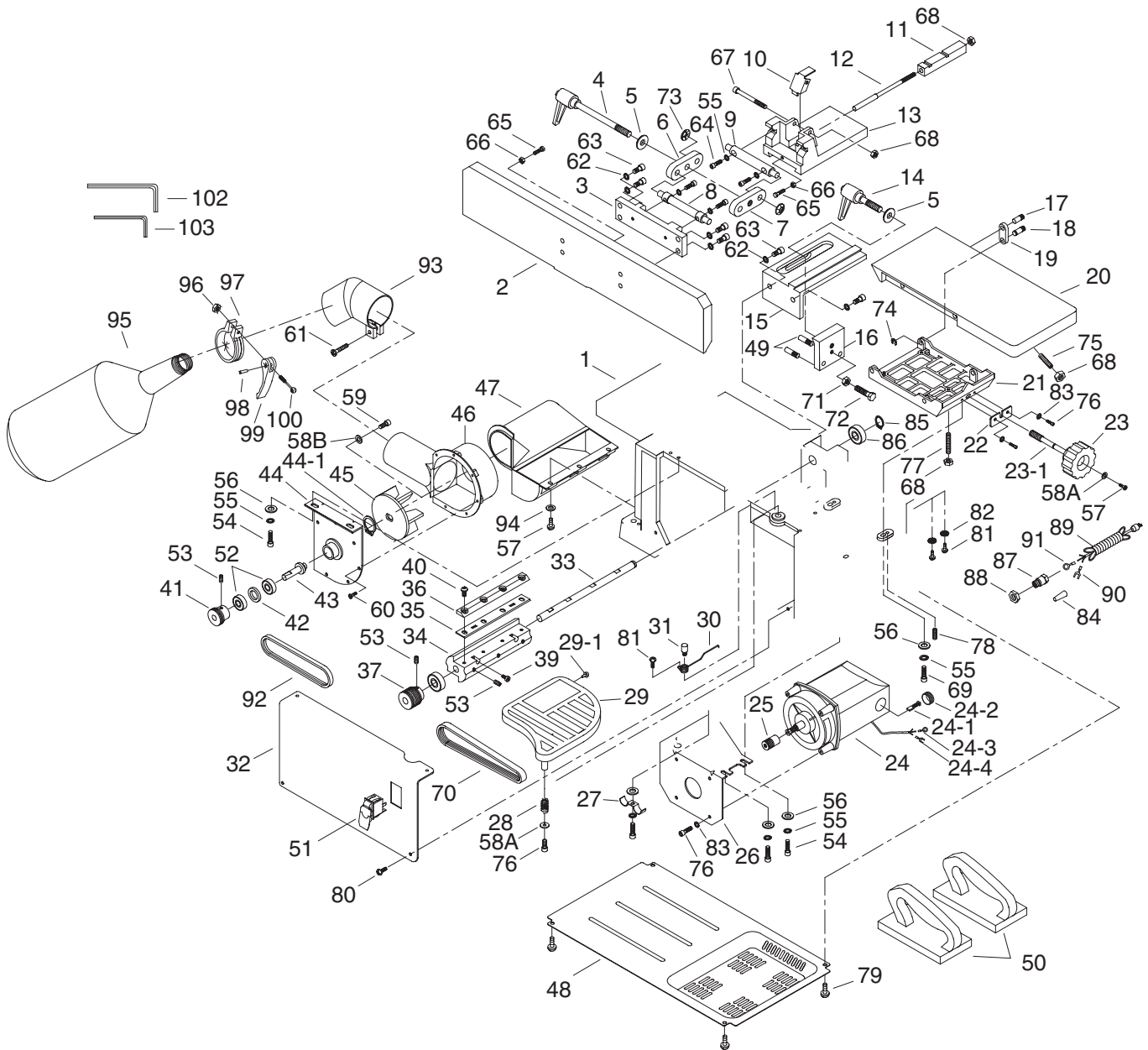


Parts Breakdown



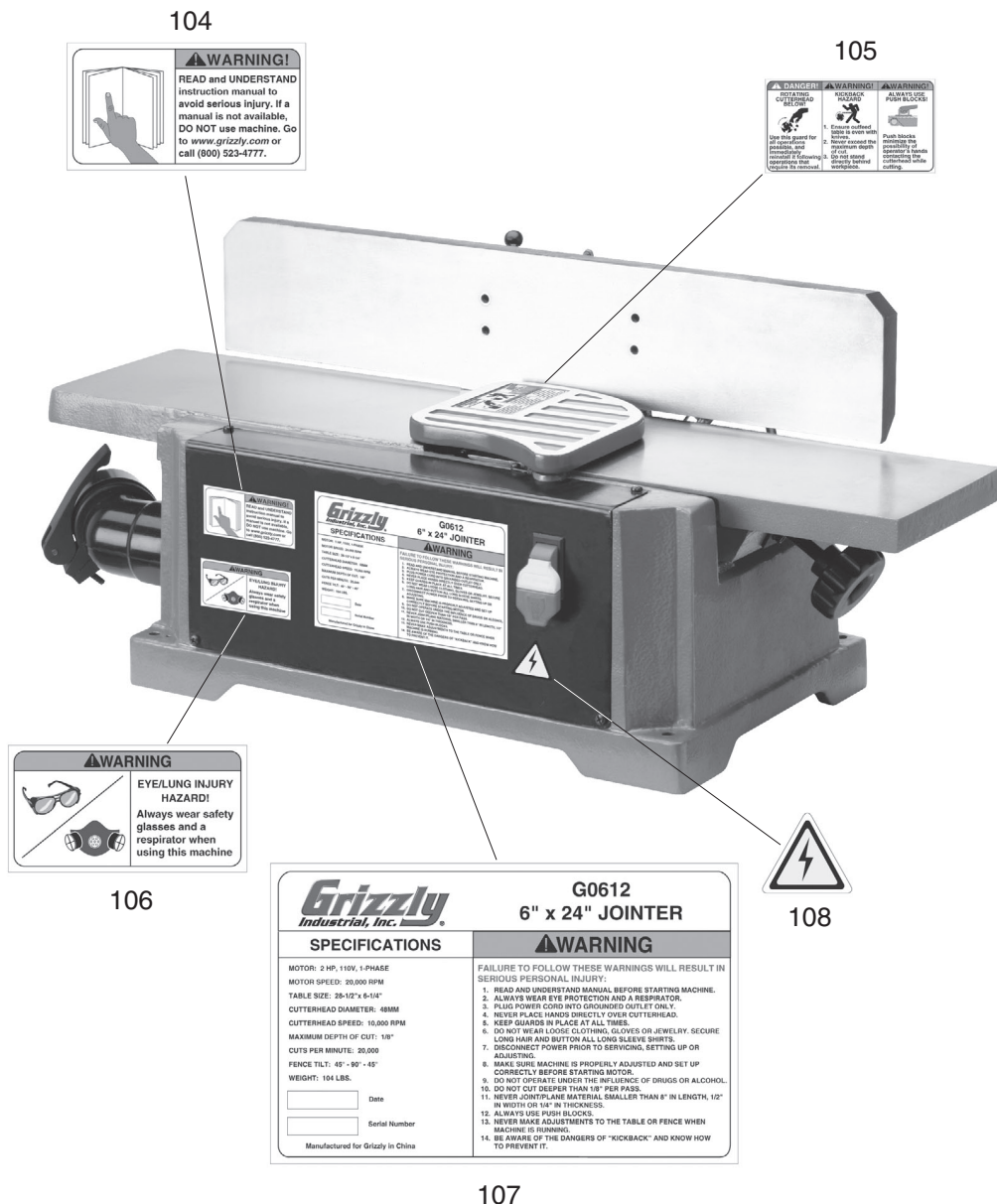
Parts List

1	P0612001	BASE
2	P0612002	FENCE
3	P0612003	FENCE PLATE
4	P0612004	HANDLE
5	PW01M	FLAT WASHER 8MM
6	P0612006	RIGHT LINK
7	P0612007	LEFT LINK
8	P0612008	PLATE SHAFT
9	P0612009	BRACKET SHAFT
10	P0612010	LIMIT PLATE
11	P0612011	BLOCK
12	P0612012	SHAFT
13	P0612013	FENCE BRACKET
14	P0612014	HANDLE
15	P0612015	FENCE SUPPORT
16	P0612016	LOCKING PLATE
17	P0612017	TABLE PIN
18	P0612018	FRAME PIN
19	P0612019	BRACKET
20	P0612020	INFEED TABLE
21	P0612021	TABLE FRAME
22	P0612022	SUPPORT PLATE
23	P0612023	HANDLE
23-1	P0612023-1	HANDLE SHAFT
24	P0612024	2 HP UNIVERSAL MOTOR
24-1	P0612024-1	CARBON BRUSH SET (2)
24-2	P0612024-2	BRUSH COVER
24-3	P0612024-3	RING TERMINAL
24-4	P0612024-4	SPADE TERMINAL
25	P0612025	MOTOR PULLEY
26	P0612026	MOTOR MOUNTING PLATE
27	P0612027	CORD CLAMP
28	P0612028	COMPRESSION SPRING
29	P0612029	BLADE GUARD
29-1	P0612029-1	RUBBER BUMPER
30	P0612030	TORSION SPRING
31	P0612031	PIN
32	P0612032	SHEET IRON COVER
33	P0612033	SHAFT
34	P0612034	CUTTERHEAD
35	P0612035	BLADE
36	P0612036	BLADE CLAMP
37	P0612037	DRIVE PULLEY
39	P0612039	JACK SCREW
40	PSB115M	BUTTON HD CAP SCR M6-1 X 16
41	P0612041	FAN PULLEY
42	P0612042	SPACER
43	P0612043	FAN SHAFT
44	P0612044	CHIP BLOWER MOUNTING PLATE
44-1	PR17M	EXT RETAINING RING 26MM
45	P0612045	IMPELLER
46	P0612046	CHIP EXHAUST
47	P0612047	CHIP COLLECTOR
48	P0612048	COVER
49	P0612049	PIN

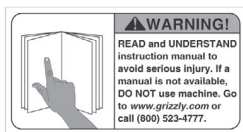
50	P0612050	PUSH BLOCK
51	P0612051	PADDLE SWITCH
52	P6000	BALL BEARING 6000ZZ
53	PSS01M	SET SCREW M6-1 X 10
54	PSB26M	CAP SCREW M6-1 X 12
55	PLW03M	LOCK WASHER 6MM
56	PW03M	FLAT WASHER 6MM
57	PS09M	PHLP HD SCR M5-.8 X 10
58A	PW02M	FLAT WASHER 5MM
58B	P0612058B	FENDER WASHER 5MM
59	PSB33M	CAP SCREW M5-.8 X 12
60	P0612060	TAP SCREW M4.2 X 10
61	PS26M	PHLP HD SCR M6-1 X 20
62	PLW04M	LOCK WASHER 8MM
63	PSB14M	CAP SCREW M8-1.25 X 20
64	PSB02M	CAP SCREW M6-1 X 20
65	PB94M	HEX BOLT M5-.8 X 25
66	PN06M	HEX NUT M5-.8
67	PSB37M	CAP SCREW M6-1 X 50
68	PN01M	HEX NUT M6-1
69	PSB07M	CAP SCREW M6-1 X 30
70	P0612070	CUTTERHEAD BELT 171J5 NK
71	PN03M	HEX NUT M8-1.25
72	PB20M	HEX BOLT M8-1.25 X 35
73	P0612073	PUSH NUT M10
74	PEC09M	E-CLIP 6MM
75	PSS28M	SET SCREW M6-1 X 30
76	PSB07M	CAP SCREW M6-1 X 30
77	PSS29M	SET SCREW M6-1 X 35
78	PSS11M	SET SCREW M6-1 X 16
79	PS05M	PHLP HD SCR M5-.8 X 8
80	PS05M	PHLP HD SCR M5-.8 X 8
81	PS38M	PHLP HD SCR M4-.7 X 10
82	P0612082	SERRATED WASHER 4MM
83	PLW01M	LOCK WASHER 5MM
84	P0612084	WIRE NUT
85	PR03M	EXT RETAINING RING 12MM
86	P6201	BALL BEARING 6201ZZ
87	P0612087	STRAIN RELIEF
88	P0612088	PLASTIC NUT
89	P0612089	LINE CORD
90	P0612024-4	SPADE TERMINAL
91	P0612024-3	RING TERMINAL
92	P0612092	FAN BELT V1.25-7A
93	P0612093	DUST CHUTE
94	PW02M	FLAT WASHER 5MM
95	P0612095	DUST COLLECTER BAG
96	PN01M	HEX NUT M6-1
97	P0612097	CLAMP 60MM
98	P0612098	PIN
99	P0612099	TIGHTENING HANDLE
100	P0612100	SWING BRACE M6 X 50MM
102	PAW06M	HEX WRENCH 6MM
103	PAW04M	HEX WRENCH 4MM



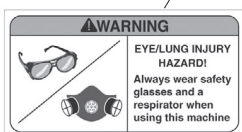
Safety Label Parts List



104



105



106



107



108

REF	PART #	DESCRIPTION
104	PLABEL-12B	READ MANUAL LABEL-HORZ
105	P0612105	CUTTERHEAD GUARD LABEL
106	P0612106	EYE/LUNG HAZARD LABEL

REF	PART #	DESCRIPTION
107	P0612107	MACHINE ID LABEL
108	PLABEL-14	ELECTRICITY LABEL

!WARNING

Safety labels warn about machine hazards and ways to prevent injury. The owner of this machine **MUST** maintain the original location and readability of the labels on the machine. If any label is removed or becomes unreadable, **REPLACE** that label before using the machine again. Contact Grizzly at (800) 523-4777 or www.grizzly.com to order new labels.

