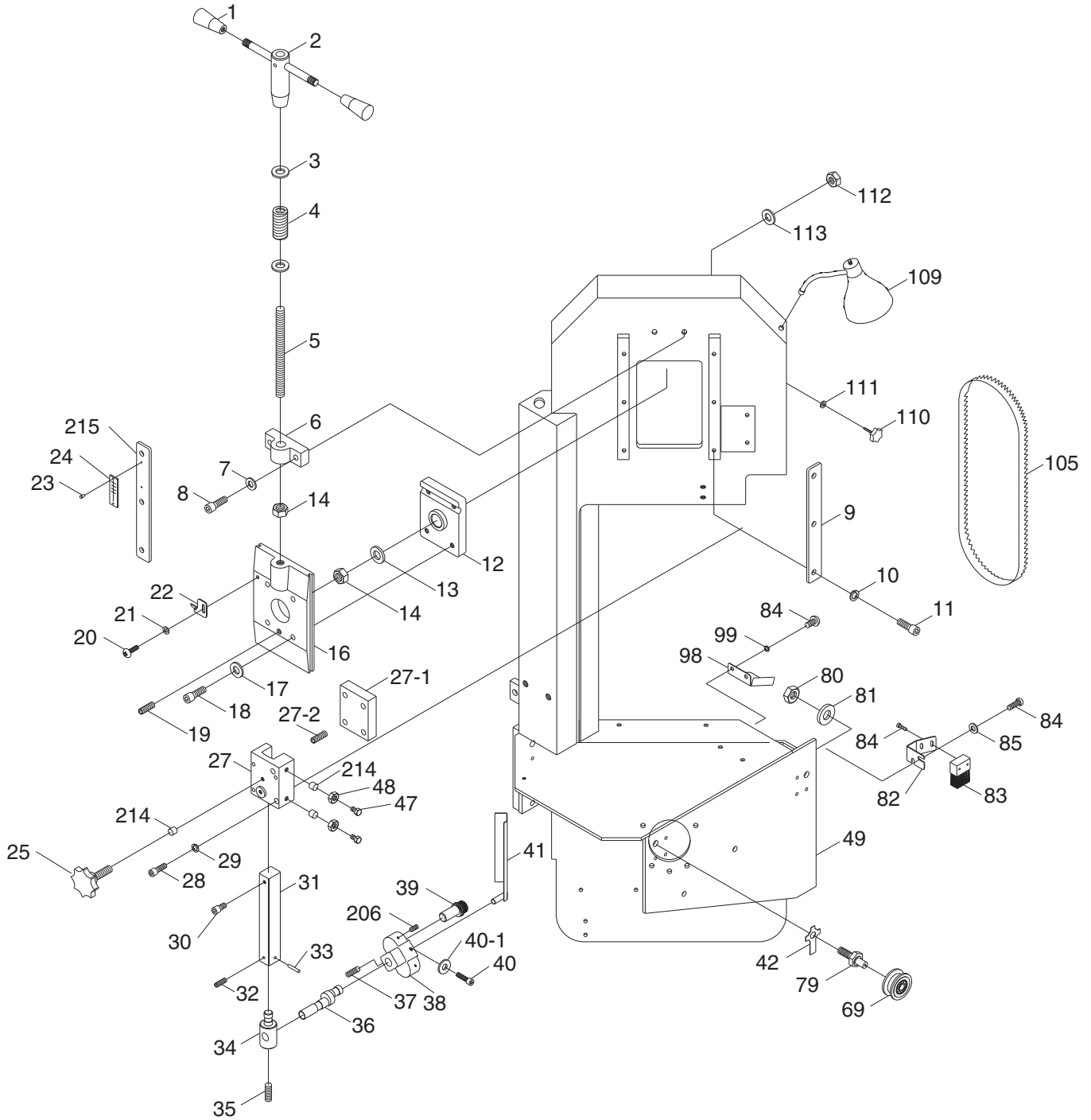


Upper Saw Frame Breakdown



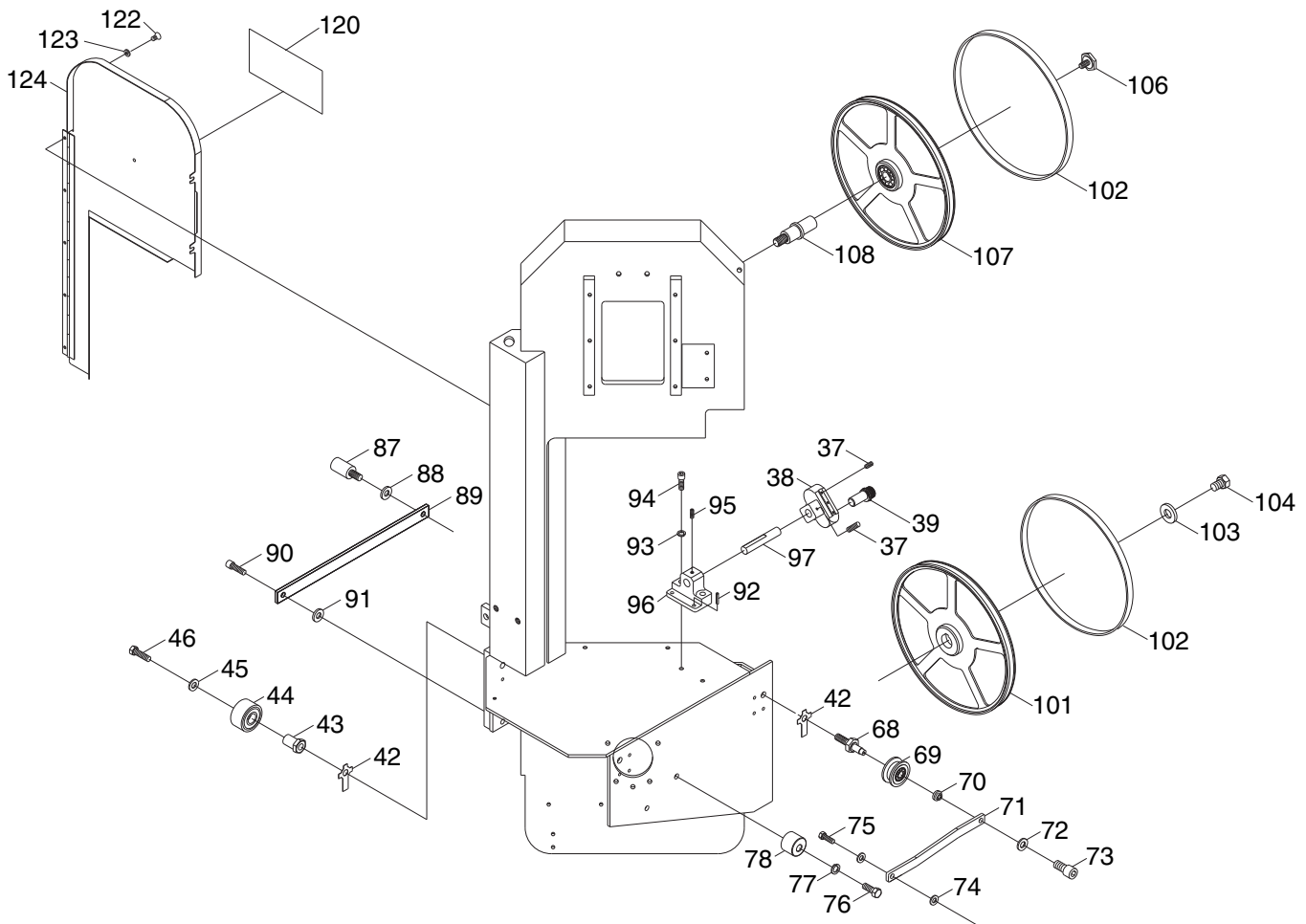
Upper Saw Frame Parts List

REF	PART #	DESCRIPTION
1	P0659001	KNOB
2	P0659002	HANDLE
3	PW14	FLAT WASHER 5/8
4	P0659004	COMPRESSION SPRING
5	P0659005	BLADE TENSION LEADSCREW
6	P0659006	LEADSCREW BRACKET
7	PW02	FLAT WASHER 3/8
8	PSB26	CAP SCREW 3/8-16 X 1-1/2
9	P0659009	GIB
10	PLW04	LOCK WASHER 3/8
11	PSB16	CAP SCREW 3/8-16 X 3/4
12	P0659012	SHAFT HOLDER
13	P0659013	SPACER
14	PN04	HEX NUT 5/8-11
16	P0659016	SLIDE PLATE
17	PW02	FLAT WASHER 3/8
18	PSB102	CAP SCREW 3/8-16 X 1-3/4
19	PSS52	SET SCREW 3/8-16 X 3/4
20	PS12	PHLP HD SCR 1/4-20 X 5/8
21	PW06	FLAT WASHER 1/4
22	P0659022	TENSION INDICATOR
23	P0659023	RIVET
24	P0659024	TENSION LABEL
25	P0659025	KNOB 3/8-16 X 1
27	P0659027	GUIDE POST BRACKET
27-1	P0659027-1	EXPANSION PLATE
27-2	PSS11M	SET SCREW M6-1 X 10
28	PSB29	CAP SCREW 3/8-16 x 2-1/2
29	PLW04	LOCK WASHER 3/8
30	PSB17	CAP SCREW 1/4-20 X 3/8
31	P0659031	GUIDE POST
32	PSS10	SET SCREW 1/4-20 X 5/8
33	PRP49M	ROLL PIN 5 X 25

REF	PART #	DESCRIPTION
34	P0659034	GUIDE POST HEAD
35	PSS02	SET SCREW 5/16-18 X 3/8
36	P0659036	UPPER ECCENTRIC SHAFT
37	PSS08	SET SCREW 5/16-18 X 1/2
38	P0659038	GUIDE BRACKET
39	P0659039	GUIDE BEARING ASSEMBLY
40	PSB01	CAP SCREW 1/4-20 X 5/8
40-1	PW06	FLAT WASHER 1/4
41	P0659041	BLADE GUARD
42	P0659042	ROLLER WHEEL PLATE
47	PB24	HEX BOLT 3/8-16 X 1-1/4
48	PN08	HEX NUT 3/8-16
49	P0659049	BODY FRAME
69	P0659069	ROLLER WHEEL ASSEMBLY
79	P0659079	ECCENTRIC BOLT
80	PN41	HEX NUT 1/2"-12
81	PW01	FLAT WASHER 1/2
82	P0659082	BRUSH HOLDER
83	P0659083	BRUSH
84	PS04	PHLP HD SCR 1/4-20 X 1/2
85	PW06	FLAT WASHER 1/4
98	P0659098	CHIP GUARD
99	PW06	FLAT WASHER 1/4
105	P0659105	BANDSAW BLADE 3/4 X 120
109	P0659109	WORK LIGHT
110	P0659110	DOOR KNOB 1/4-20 X 1/2
111	PW06	FLAT WASHER 1/4
112	PN08	HEX NUT 3/8-16
113	PW02	FLAT WASHER 3/8
206	PSS08	SET SCREW 5/16-18 X 1/2
214	P0659214	BUSHING
215	P0659215	GIB



Lower Saw Frame Breakdown and Parts List

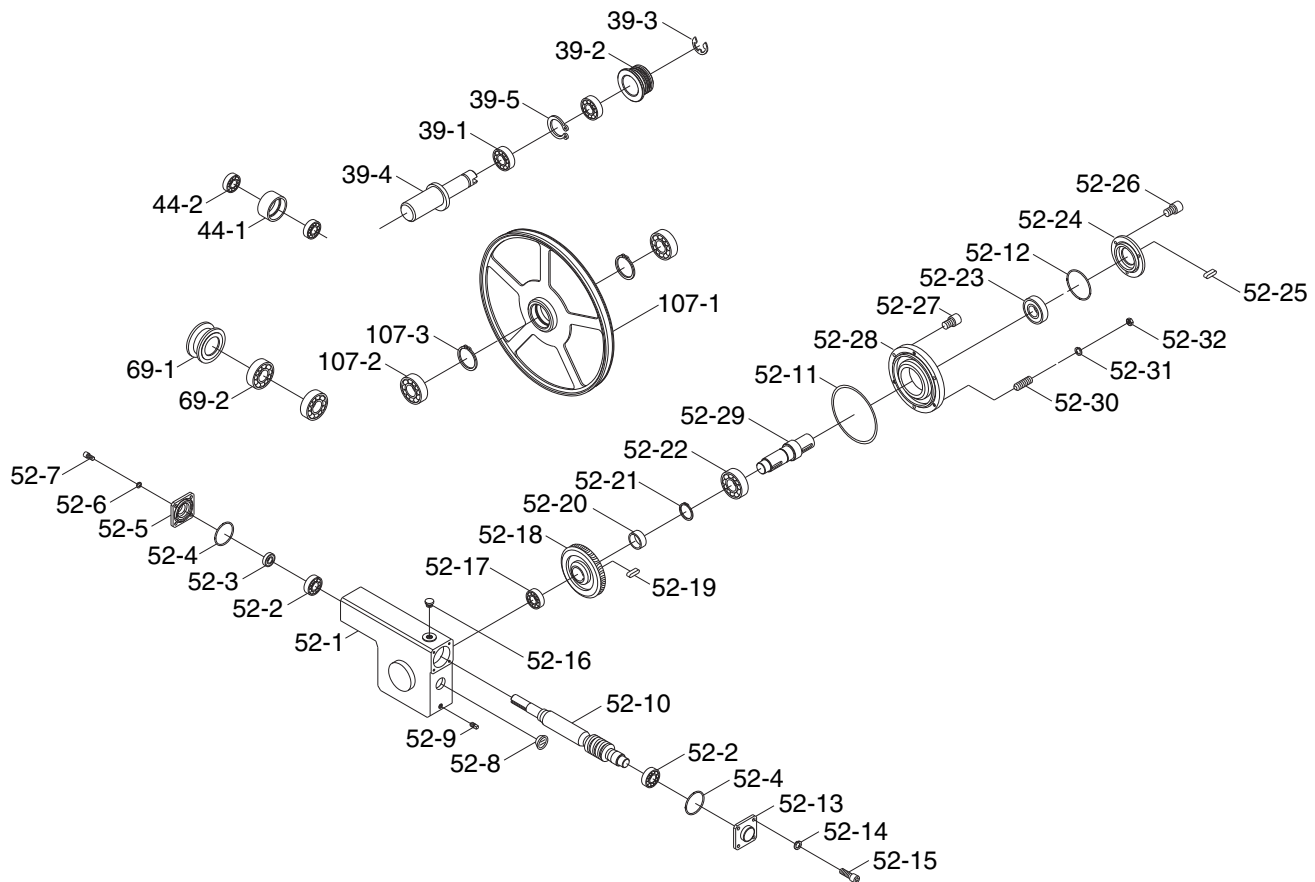


REF	PART #	DESCRIPTION
37	PSS08	SET SCREW 5/16-18 X 1/2
38	P0659038	GUIDE BRACKET
39	P0659039	GUIDE BEARING ASSEMBLY
42	P0659042	ROLLER WHEEL PLATE
43	P0659043	ECCENTRIC SHAFT BUSHING
44	P0659044	LOWER ROLLER ASSEMBLY
45	PW01	FLAT WASHER 1/2
46	PSB97	CAP SCREW 1/2-12 X 2-1/2
68	P0659068	ECCENTRIC BOLT
69	P0659069	ROLLER WHEEL ASSEMBLY
70	PW06	FLAT WASHER 1/4
71	P0659071	COUNTERWEIGHT LEVER
72	PW06	FLAT WASHER 1/4
73	PSB04	CAP SCREW 1/4-20 X 1/2
74	PW02	FLAT WASHER 3/8
75	PB16	HEX BOLT 3/8-16 X 1-1/2
76	PB56	HEX BOLT 1/2-12 X 1-3/4
77	PLW07	LOCK WASHER 1/2
78	P0659078	ECCENTRIC BUSHING
87	P0659087	SHAFT BOLT
88	PW02	FLAT WASHER 3/8

REF	PART #	DESCRIPTION
89	P0659089	HANDLE LEVER
90	PSB19	CAP SCREW 3/8-16 X 1-1/4
91	PW02	FLAT WASHER 3/8
92	PRP03M	ROLL PIN 5 X 20
93	PLW04	LOCK WASHER 3/8
94	PSB102	CAP SCREW 3/8-16 X 1-3/4
95	PSS02	SET SCREW 5/16-18 X 3/8
96	P0659096	LOWER BLADE GUIDE MOUNT
97	P0659097	LOWER BLADE GUIDE SHAFT
101	P0659101	DRIVE WHEEL
102	P0659102	TIRE
103	PW02	SPECIAL WASHER
104	PB18	HEX BOLT 3/8-16 X 1
106	P0659106	SPECIAL BOLT
107	P0659107	IDLER WHEEL ASSEMBLY
108	P0659108	IDLER WHEEL SPINDLE
120	P0659120	TOOTH SELECTION LABEL
122	PS07	PHLP HD SCR 1/4-20 X 3/8
123	PW06	FLAT WASHER 1/4
124	P0659124	WHEEL COVER



Gearbox Breakdown and Parts List

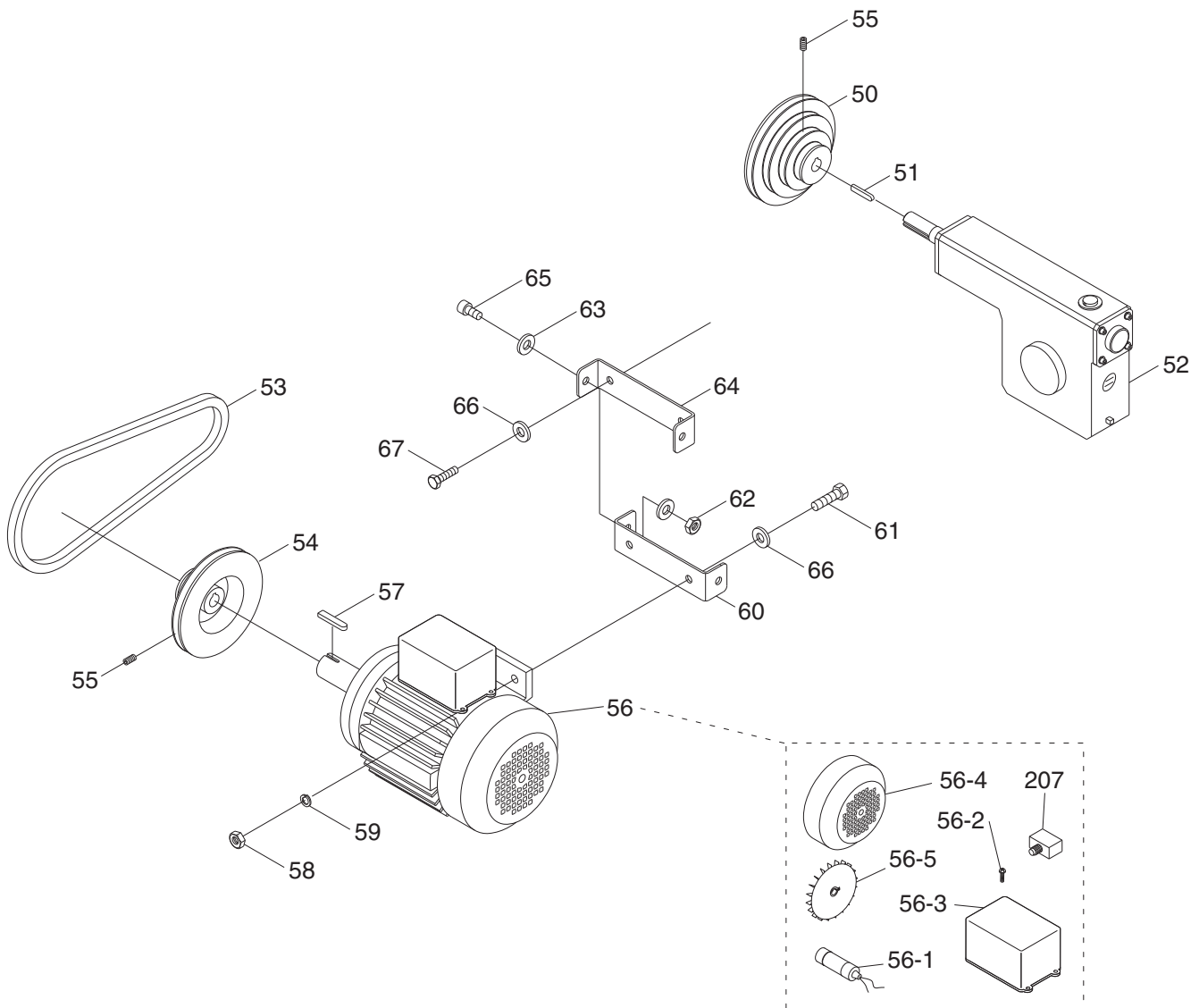


REF	PART #	DESCRIPTION
39-1	P627	BALL BEARING 627ZZ
39-2	P0659039-2	BLADE GUIDE WHEEL
39-3	PEC07M	E-CLIP 7MM
39-4	P0659039-4	ECCENTRIC SHAFT
39-5	PR57M	INT RETAINING RING 22MM
44-1	P0659044-1	LOWER ROLLER
44-2	P6204	BALL BEARING 6204ZZ
52-1	P0659052-1	GEAR BOX HOUSING
52-2	P6204	BALL BEARING 6204ZZ
52-3	P0659052-3	TC OIL SEAL
52-4	PORP046	O-RING 45.7 X 3.5 P46
52-5	P0659052-5	COVER
52-6	PLW02	LOCK WASHER 1/4
52-7	PSB05	CAP SCREW 1/4-20 X 3/4
52-8	P0659052-8	OIL LEVEL GAGE
52-9	P0659052-9	OIL STOPPER
52-10	P0659052-10	WORM GEAR SHAFT
52-11	P0659052-11	O-RING 113.97 X 2.62
52-12	P0659052-12	O-RING 61.6 X 2.62
52-13	P0659052-13	END SEAL COVER
52-14	PLW02	LOCK WASHER 1/4
52-15	PSB05	CAP SCREW 1/4-20 X 3/4

REF	PART #	DESCRIPTION
52-16	P0659052-16	OIL FILLER
52-17	P6205	BALL BEARING 6205ZZ
52-18	P0659052-18	TRANSMISSION GEAR
52-19	P0659052-19	KEY 8 X 7 X 28
52-20	P0659052-20	BUSHING
52-21	PR15M	EXT RETAINING RING 30MM
52-22	P6206	BALL BEARING 6206ZZ
52-23	P0659052-23	OIL SEAL
52-24	P0659052-24	MAIN OIL SEAL COVER
52-25	P0659052-25	KEY 8 X 7 X 30
52-26	PSB41	CAP SCREW 10-24 X 1/2
52-27	PSB05	CAP SCREW 1/4-20 X 3/4
52-28	P0659052-28	MAIN SHAFT COVER
52-29	P0659052-29	OUTPUT SHAFT
52-30	P0659052-30	SET SCREW 3/8-16 X 1-1/4
52-31	PLW04	LOCK WASHER 3/8
52-32	PN08	HEX NUT 3/8-16
69-1	P0659069-1	ROLLER WHEEL
69-2	P6201	BALL BEARING 6201ZZ
107-1	P0659107-1	IDLER WHEEL
107-2	P6205	BALL BEARING 6205ZZ
107-3	PR26M	INT RETAINING RING 52MM



Drive Unit Breakdown and Parts List



REF	PART #	DESCRIPTION
50	P0659050	GEAR BOX PULLEY
51	PK02M	KEY 5 X 5 X 40
52	P0659052	GEAR BOX ASSEMBLY
53	PVM32	V-BELT M-32 3L320
54	P0659054	DRIVE PULLEY WHEEL
55	PSS01M	SET SCREW M6-1 X 10
56	P0659056	MOTOR 1HP 220V 1725 RPM
56-1	PC150B	S CAPACITOR 150M 250V 1-1/2 X 2-3/8
56-2	PS08M	PHLP HD SCR M5-.8 X 12
56-3	P0659056-3	MOTOR JUNCTION BOX
56-4	P0659056-4	MOTOR FAN COVER
56-5	P0659056-5	MOTOR FAN

REF	PART #	DESCRIPTION
57	PK02M	KEY 5 X 5 X 40
58	PN08	HEX NUT 3/8-16
59	PLW04	LOCK WASHER 3/8
60	P0659060	INNER MOTOR MOUNT BRACKET
61	PB18	HEX BOLT 3/8-16 X 1
62	PN08	HEX NUT 3/8-16
63	PW02	FLAT WASHER 3/8
64	P0659064	OUTER MOTOR MOUNT BRACKET
65	PSB14	CAP SCREW 3/8-16 X 1
66	PW02	FLAT WASHER 3/8
67	PB21	HEX BOLT 3/8-16 X 3/4
207	P0659207	OVERLOAD SWITCH 10A



Table Base Parts Breakdown

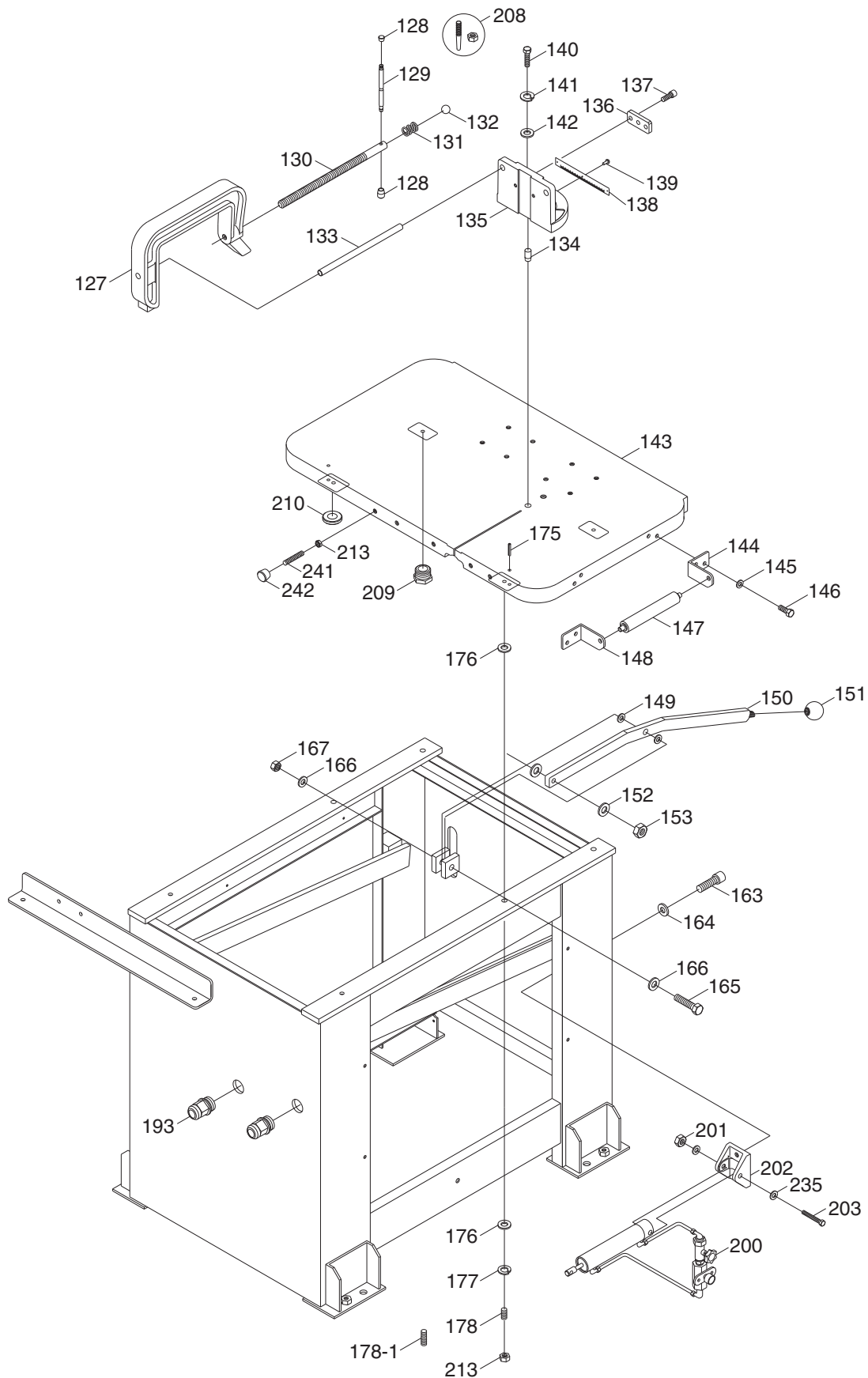


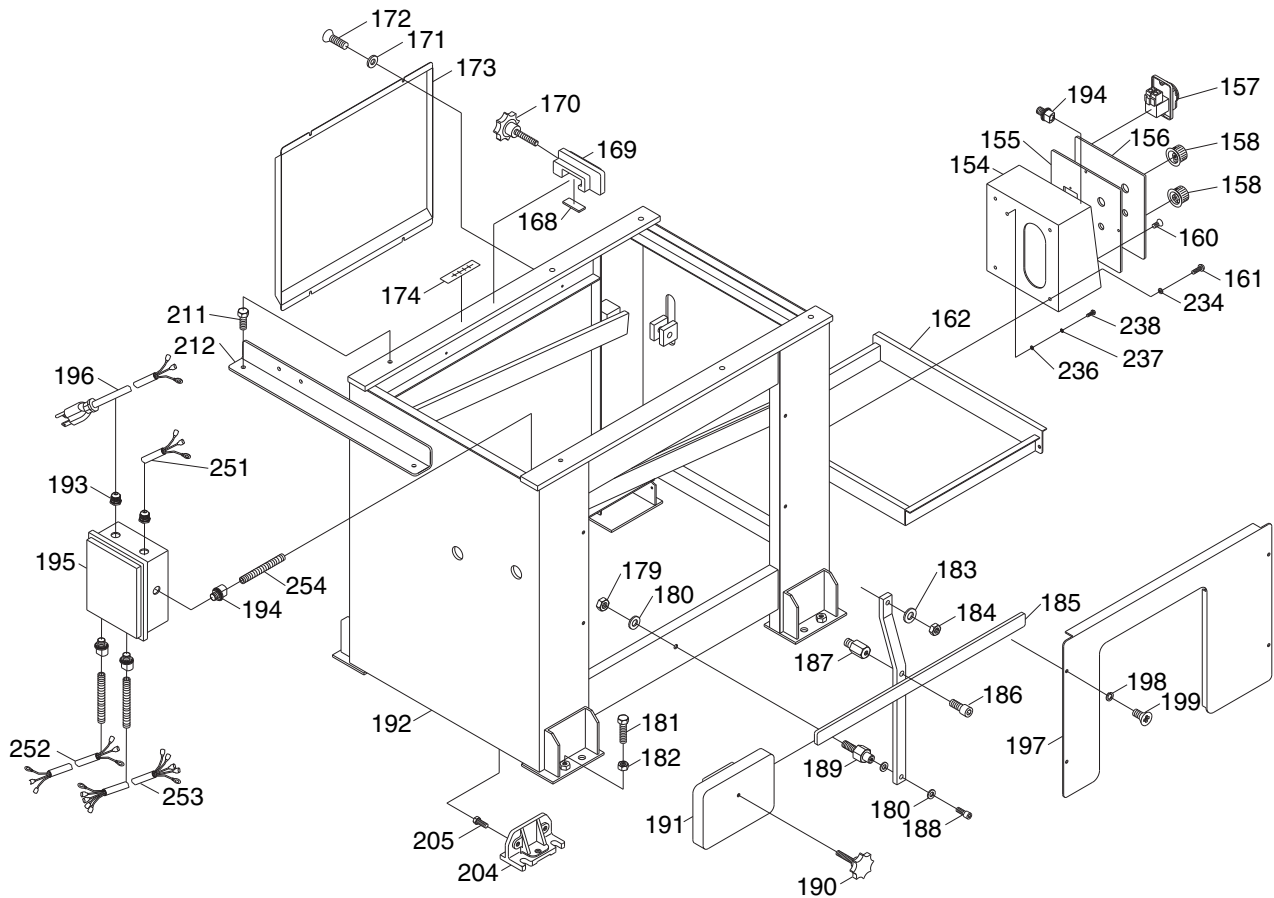
Table Base Parts List

REF	PART #	DESCRIPTION
127	P0659127	C-CLAMP VISE
128	P0659128	HANDLE CAP
129	P0659129	LEADSCREW HANDLE
130	P0659130	LEADSCREW
131	P0659131	COMPRESSION SPRING
132	P0659132	STEEL BALL 1/4
133	P0659133	C-CLAMP MOUNTING ROD
134	P0659134	PIVOT PIN
135	P0659135	VISE BASE
136	P0659136	BRACKET
137	PSB03	CAP SCREW 5/16-18 X 1
138	P0659138	DEGREE LABEL
139	P0659139	RIVET 2 X 5
140	PB25	HEX BOLT 3/8-16 X 1-3/4
141	PLW04	LOCK WASHER 3/8
142	PW02	FLAT WASHER 3/8
143	P0659143	TABLE
144	P0659144	FRONT ROLLER BRACKET
145	PLW01	LOCK WASHER 5/16
146	PB32	HEX BOLT 5/16-18 X 5/8
147	P0659147	ROLLER
148	P0659148	REAR ROLLER BRACKET
149	PW01	FLAT WASHER 1/2
150	P0659150	SAW RELEASE LEVER
151	P0659151	BALL KNOB

REF	PART #	DESCRIPTION
152	PW02	FLAT WASHER 3/8
153	PN08	HEX NUT 3/8-16
163	PSB16	CAP SCREW 3/8-16 X 3/4
164	PW02	FLAT WASHER 3/8
165	PB20	HEX BOLT 1/2-12 X 2-1/2
166	PW01	FLAT WASHER 1/2
167	PN41	HEX NUT 1/2"-12
175	PRP29M	ROLL PIN 5 X 45
176	PW02	FLAT WASHER 3/8
177	PLW04	LOCK WASHER 3/8
178	PSS36	SET SCREW 3/8-16 X 2
178-1	P0659178-1	SET SCREW 3/8-16 X 2-1/2
193	P0659193	LIQUID-TITE STRAIN RELIEF
200	P0659200	HYDRAULIC CYLINDER ASSEMBLY
201	PN08	HEX NUT 3/8-16
202	P0659202	CYLINDER SUPPORT
203	PB35	HEX BOLT 3/8-16 X 2-1/2
208	P0659208	TAPER PIN ASSEMBLY
209	P0659209	BUSHING
210	P0659210	TABLE SPACER
213	PN08	HEX NUT 3/8-16
235	PW02	FLAT WASHER 3/8
241	P0659241	THREADED ROD 3/8-16 X 2-1/2
242	P0659242	PLASTIC STOP



Cabinet Base Breakdown and Parts List

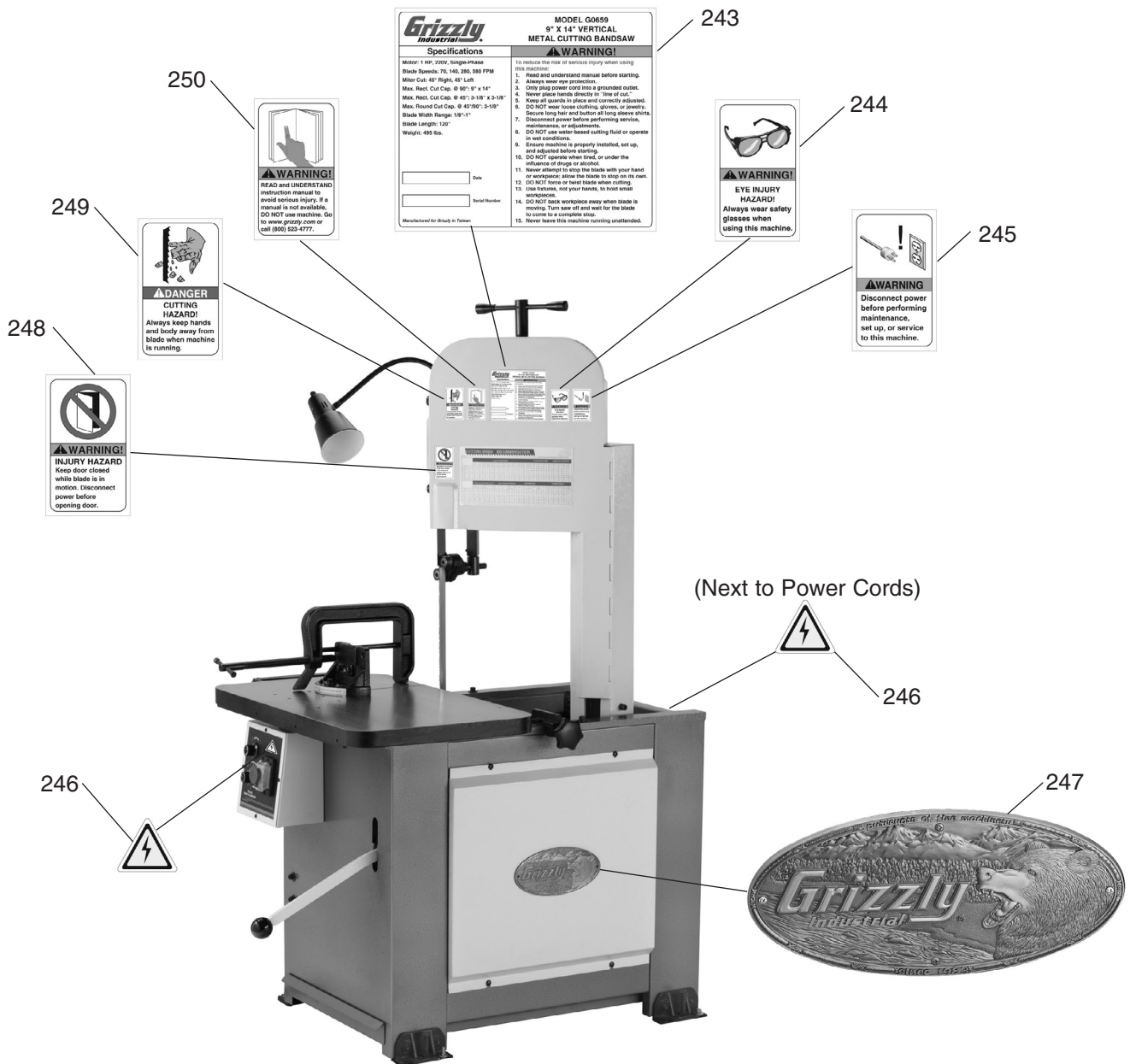


REF	PART #	DESCRIPTION
154	P0659154	CONTROL BOX
155	P0659155	CONTROL BOX COVER
156	P0659156	CONTROL BOX LABEL
157	P0659157	ON/OFF SWITCH
158	P0659158	HYDRAULIC KNOB
160	PFH03	FLAT HD SCR 1/4-20 X 1/2
161	PS01	PHLP HD SCR 10-24 X 1/2
162	P0659162	CHIP TRAY
168	P0659168	INDICATOR PLATE
169	P0659169	STOP CLAMP
170	P0659170	KNOB 3/8-16 X 2
171	PW06	FLAT WASHER 1/4
172	PS12	PHLP HD SCR 1/4-20 X 5/8
173	P0659173	STAND SIDE PLATE
174	P0659174	SAW FRAME POSITION LABEL
179	PN08	HEX NUT 3/8-16
180	PW02	FLAT WASHER 3/8
181	PB20	HEX BOLT 1/2-12 X 2-1/2
182	PN41	HEX NUT 1/2"-12
183	PW02	FLAT WASHER 3/8
184	PN08	HEX NUT 3/8-16
185	P0659185	BALANCE WEIGHT RAIL
186	PSB07	CAP SCREW 5/16-18 X 3/4
187	P0659187	PIVOT COUPLER

REF	PART #	DESCRIPTION
188	PSB01	CAP SCREW 1/4-20 X 5/8
189	P0659189	MOUNTING COUPLER
190	P0659190	KNOB 3/8-16 X 2
191	P0659191	BALANCE WEIGHT
192	P0659192	CABINET
193	P0659193	LIQUID-TITE STRAIN RELIEF
194	P0659194	THREADED STRAIN RELIEF
195	P0659195	JUNCTION BOX
196	P0659196	LIGHT POWER CABLE
197	P0659197	LEFT SUPPORT PLATE
198	PW06	FLAT WASHER 1/4
199	PS04	PHLP HD SCR 1/4-20 X 1/2
204	P0659204	FOOT BRACKET
205	PB21	HEX BOLT 3/8-16 X 3/4
211	PB07	HEX BOLT 5/16-18 X 3/4
212	P0659212	FIXED PLATE
234	PW03	FLAT WASHER #10
236	PW02M	FLAT WASHER 5MM
237	PTLW02M	EXT TOOTH WASHER 5MM
238	PS19M	PHLP HD SCR M5-.8 x 6
251	P0659251	MAIN POWER CABLE
252	P0659252	POWER CABLE
253	P0659253	CONTROL WIRE
254	P0659254	CONDUIT



Safety Labels Breakdown and Parts List



REF	PART #	DESCRIPTION
243	P0659243	MACHINE ID LABEL
244	P0659244	EYE INJURY HAZARD LABEL
245	P0659245	DISCONNECT FROM POWER LABEL
246	PLABEL-14	ELECTRICITY LABEL

REF	PART #	DESCRIPTION
247	P0659247	GRIZZLY LABEL PLATE
248	P0659248	DOOR INJURY LABEL
249	P0659249	BLADE WARNING LABEL
250	PLABEL-12	READ MANUAL 2\"/>

⚠️ WARNING

Safety labels warn about machine hazards and ways to prevent injury. The owner of this machine **MUST** maintain the original location and readability of the labels on the machine. If any label is removed or becomes unreadable, **REPLACE** that label before using the machine again. Contact Grizzly at (800) 523-4777 or www.grizzly.com to order new labels.

