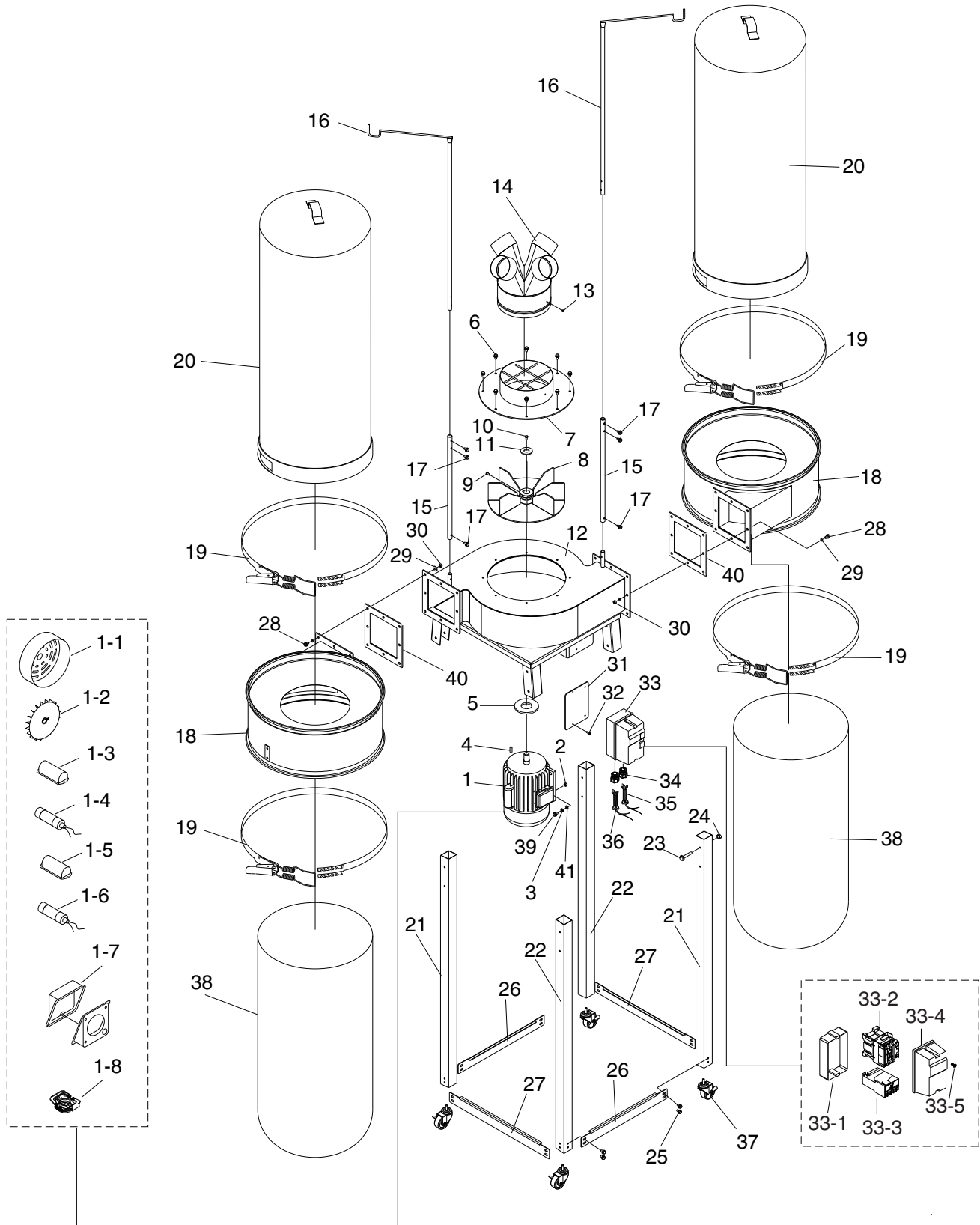


G0672 Parts Breakdown



G0672 Parts List

REF	PART #	DESCRIPTION
1	P0672001	MOTOR 5HP, 220V, 1 PH
1-1	P0672001-1	FAN COVER
1-2	P0672001-2	FAN
1-3	P0672001-3	S CAPACITOR COVER
1-4	P0672001-4	S CAPACITOR 800M 250V 1-3/4 X 3-3/4
1-5	P0672001-5	R CAPACITOR COVER
1-6	P0672001-6	R CAPACITOR 75M 350V 2 X 4-3/8
1-7	P0672001-7	JUNCTION BOX
1-8	P0672001-8	CENTRIFUGAL SWITCH
2	PN08	HEX NUT 3/8-16
3	PLW04	LOCK WASHER 3/8
4	PK143M	KEY 6 X 6 X 25
5	P0671005	MOTOR GASKET
6	PB07	HEX BOLT 5/16-18 X 3/4
7	P0671007	INLET COVER
8	P0672008	IMPELLER 15"
9	PB34	HEX BOLT 3/8-16 X 1/2
10	PSB02M	CAP SCREW M6-1 X 20
11	PW03M	FLAT WASHER 6MM
12	P0671012	COLLECTOR HOUSING
13	PS06	PHLP HD SCR 10-24 X 3/8
14	P0671014	INLET ADAPTER
15	P0672015	BAG HANGER LOWER SUPPORT
16	P0672016	BAG HANGER
17	PB19	HEX BOLT 1/4-20 X 1/2
18	P0671018	COLLECTOR DRUM
19	P0671019	BAG CLAMP

REF	PART #	DESCRIPTION
20	P0672020	FILTER BAG 2.5 MICRON 23-5/8" X 70"
21	P0671021	RIGHT LEG
22	P0671022	LEFT LEG
23	PB23	HEX BOLT 5/16-18 X 2-1/2
24	PN02	HEX NUT 5/16-18
25	PB09	HEX BOLT 5/16-18 X 1/2
26	P0671026	F/R LEG BRACE
27	P0671027	L/R LEG BRACE
28	PB03	HEX BOLT 5/16-18 X 1
29	PW07	FLAT WASHER 5/16
30	PN02	HEX NUT 5/16-18
31	P0671031	MAGNETIC SWITCH PLATE
32	PS01	PHLP HD SCR 10-24 X 1/2
33	P0671033	MAGNETIC SWITCH
33-1	P0671033-1	MAG SWITCH BACK COVER
33-2	P0671033-2	CONTACTOR SDE MP-15 220V
33-3	P0671033-3	OL RELAY SDE RA-30 21-35
33-4	P0671033-4	MAG SWITCH FRONT COVER
33-5	P0671033-5	PLASTIC COVER SCREW 11/32-16 X 3/4
34	P0672034	STRAIN RELIEF
35	P0672035	MOTOR CORD 10AWG X 3C
36	P0672036	POWER CORD 10AWG X 3C
37	P0671037	CASTER WITH BRAKE
38	P0672038	LOWER DUST BAG 23-5/8" X 57"
39	PB24	HEX BOLT 3/8-16 X 1-1/4
40	P0671040	RUBBER GASKET
41	PW02	FLAT WASHER 3/8



