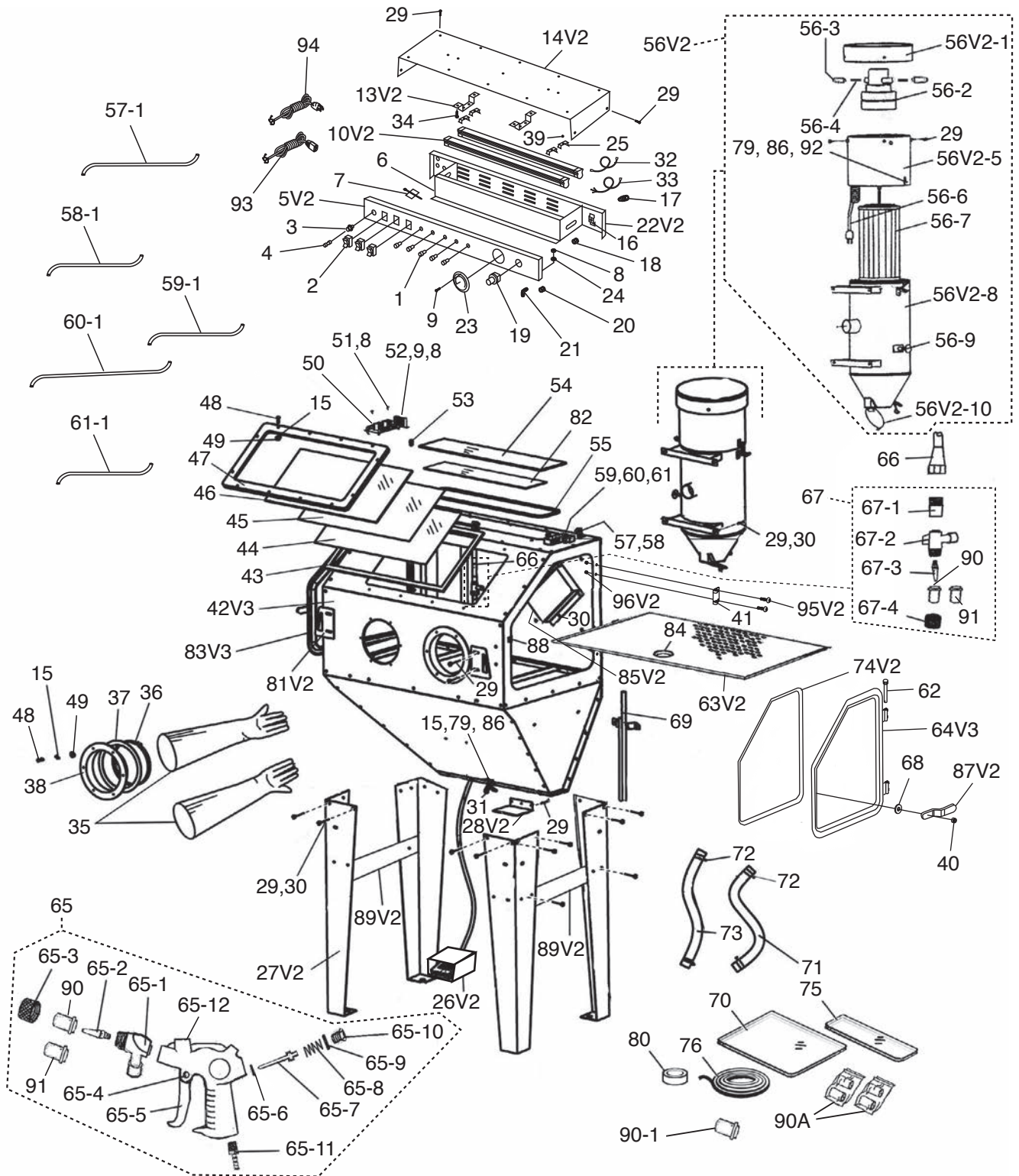


SECTION 9: PARTS

We do our best to stock replacement parts when possible, but we cannot guarantee that all parts shown are available for purchase. Call (800) 523-4777 or visit www.grizzly.com/parts to check for availability.

Main



Main Parts List

REF	PART #	DESCRIPTION
1	P0707001	LED INDICATOR
2	P0707002	POWER SWITCH
3	P0707003	FUSE HOUSING
4	P0707004	FUSE 15A 250V 5X20MM TIME DELAY, GLASS
5V2	P0707005V2	CONTROL PANEL V2.11.23
6	P0707006	LAMP COVER
7	P0707007	LAMP COVER RETAINER CLIP
8	P0707008	HEX NUT M3-.5
9	P0707009	PHLP HD SCR M3-.5 X 10
10V2	P0707010V2	LED LIGHT 9W V2.05.22
13V2	P0707013V2	LIGHT SUPPORT V2.05.22
14V2	P0707014V2	CONTROL BOX COVER V2.11.23
15	P0707015	FLAT WASHER 4MM
16	P0707016	JET FITTING
17	P0707017	PUSH-ON SWIVEL FITTING 3/8"
18	P0707018	BRASS NIPPLE
19	P0707019	AIR REGULATOR
20	P0707020	BRASS NIPPLE
21	P0707021	BRASS ELBOW
22V2	P0707022V2	MOUNTING PLATE V2.11.23
23	P0707023	AIR PRESSURE GAUGE
24	P0707024	LOCK WASHER 3MM
25	P0707025	LED MOUNTING BRACKET
26V2	P0707026V2	FOOT PEDAL V2.11.23
27V2	P0707027V2	LEG V2.11.23
28V2	P0707028V2	DUMP CHUTE DOOR V2.11.23
29	P0707029	CABINET SCREW M6-1 X 12
30	P0707030	FLANGE NUT M6-1
31	P0707031	LATCH
32	P0707032	LED 3-PIN CABLE
33	P0707033	MAIN LED CORD 20G 3W 14.5"
34	P0707034	PHLP HD SCR M6-1 X 12
35	P0707035	RUBBER GLOVE SET
36	P0707036	GLOVE CLAMP
37	P0707037	SUPPORT RING
38	P0707038	GLOVE MOUNTING RING
39	P0707039	RIVET 4 X 10MM BLIND
40	P0707040	LOCK NUT M6-1
41	P0707041	DOOR HINGE
42V3	P0707042V3	BLAST CABINET BODY V3.11.23
43	P0707043	VIEWING WINDOW SEAL
44	P0707044	WINDOW COVER FILM 23-1/2" x 10"
45	P0707045	VIEWING WINDOW GLASS
46	P0707046	PLEXIGLASS WINDOW
47	P0707047	WINDOW FRAME
48	P0707048	PHLP HD SCR M4-.7 X 25
49	P0707049	HEX NUT M4-.7
50	P0707050	CIRCUIT BOARD
51	P0707051	PHLP HD SCR M3-.5 X 20
52	P0707052	TRANSFORMER 8W 110V/60HZ-16V
53	P0707053	STRAIN RELIEF
54	P0707054	LAMP WINDOW GLASS 25-1/4 X 6"
55	P0707055	LAMP WINDOW SEAL
56V2	P0707056V2	DUST COLLECTOR ASSY V2.11.23
56V2-1	P0707056V2-1	MOTOR COVER V2.11.23

REF	PART #	DESCRIPTION
56-2	P0707056-2	MOTOR 1.5HP 110V 1-PH
56-3	P0707056-3	PLASTIC/BRASS BRUSH HOLDER
56-4	P0707056-4	CARBON BRUSH
56V2-5	P0707056V2-5	MAIN HOUSING V2.11.23
56-6	P0707056-6	MALE POWER CORD 14G 3W
56-7	P0707056-7	CARTRIDGE FILTER 5-MICRON
56V2-8	P0707056V2-8	CANISTER V2.11.23
56-9	P0707056-9	CANISTER PLUNGER W/SPRING
56V2-10	P0707056V2-10	CLEANOUT DOOR V2.11.23
57	P0707057	NIPPLE FITTING
57-1	P0707057-1	AIR CONTROL HOSE - ORANGE
58	P0707058	ELBOW FITTING
58-1	P0707058-1	AIR CONTROL HOSE - ORANGE
59	P0707059	SOLENOID VALVE
59-1	P0707059-1	AIR CONTROL HOSE - ORANGE
60	P0707060	BRASS NIPPLE
60-1	P0707060-1	AIR CONTROL HOSE - ORANGE
61	P0707061	BRASS ELBOW
61-1	P0707061-1	AIR CONTROL HOSE - ORANGE
62	P0707062	DOOR HINGE PIN 6.2 X 75MM
63V2	P0707063V2	WORK TABLE V2.11.23
64V3	P0707064V3	RIGHT DOOR V3.11.23
65	P0707065	BLAST GUN ASSEMBLY
65-1	P0707065-1	MEDIA PORT
65-2	P0707065-2	AIR JET
65-3	P0707065-3	NOZZLE NUT
65-4	P0707065-4	DOWEL PIN
65-5	P0707065-5	TRIGGER
65-6	P0707065-6	O-RING 6.6 X 3
65-7	P0707065-7	METERING PIN
65-8	P0707065-8	COMPRESSION SPRING
65-9	P0707065-9	O-RING 9.8 X 1.9 P10
65-10	P0707065-10	PLUG
65-11	P0707065-11	PUSH-ON FITTING 3/8"
65-12	P0707065-12	BLAST GUN BODY
66	P0707066	AIR HOSE
67	P0707067	FIXED GUN ASSEMBLY
67-1	P0707067-1	CONNECTOR FITTING
67-2	P0707067-2	MEDIA PORT
67-3	P0707067-3	BRASS JET
67-4	P0707067-4	NOZZLE NUT M25 X 1.5
68	P0707068	FENDER WASHER 6MM
69	P0707069	DRAW TUBE
70	P0707070	LARGE WINDOW COVER FILM (5 PK)
71	P0707071	AIR HOSE 1/2" ID
72	P0707072	HOSE CLAMP 1/2"
73	P0707073	MEDIA HOSE 1/2" ID
74V2	P0707074V2	DOOR GASKET V2.01.21
75	P0707075	SMALL WINDOW COVER FILM (5 PK)
79	P0707079	PHLP HD SCR M4-.7 X 6
80	P0707080	TEFLON TAPE
81V2	P0707081V2	LATCH RECEIVER V2.11.23
82	P0707082	WINDOW COVER FILM 21-1/2" x 4"
83V3	P0707083V3	LEFT DOOR V2.11.23
84	P0707084	GROMMET M9.5



Main Parts List (Cont.)

REF	PART #	DESCRIPTION
85V2	P0707085V2	BAFFLE PLATE V2.11.23
86	P0707079	FLAT WASHER 4MM
87V2	P0707087V2	DOOR LEVER V2.11.23
88	P0707088	LIMIT SWITCH
89V2	P0707089V2	CROSS BRACE V2.11.23
90	P0707090	BLAST TIP 6MM ID
90-1	P0707090-1	BLAST TIP 7MM ID

REF	PART #	DESCRIPTION
90A	P0707090A	NOZZLE SET 6PC
91	P0707091	BLAST TIP 5MM ID
92	P0707092	LATCH ASSEMBLY
93	P0707093	FEMALE POWER CORD 3W 14G
94	P0707094	MACHINE POWER CORD 3W 14G
95V2	P0707095V2	PHLP HD SCR M6-1 X 12 V2.01.21
96V2	P0707096V2	FLANGE NUT M6-1 V2.01.21



Labels & Cosmetics

100V2

Grizzly Industrial MODEL G0707 24" X 37" BLAST CABINET

Specifications	WARNING!
Model: 1.5 HP, 120V, 5-PM, 60 Hz Full Load Current Rating: 11A Air Pressure Range: 60-120 PSI Air Volume Required: 5-20 CFM Abrasive Media Capacity: 40 lbs. Abrasive Media Type: Glass Beads, Silicon Carbide, Emery, Plastic Beads, Stone Glove Height above Floor: 43" Weight: 168 lbs.	To reduce the risk of serious injury when using this machine: 1. Read and understand owner's manual before operating sandblaster. 2. Always wear approved eye protection and NIOSH-approved respirator. 3. Keep cabinet leak free, and replace door seals as required. 4. Unplug air supply when loading, unloading, or servicing cabinet. 5. Keep all doors closed except for service. 6. Replace worn nozzles, jets, or gloves immediately. 7. Clean dust collection system and filters frequently. 8. Never operate sandblaster over 120 PSI. 9. Never sandblast in environment where flammable gases or fluids are present or nearby. 10. Never point sandblaster nozzle at hands or face. 11. Do not modify machine in any way. 12. Do not expose to rain or dampness. 13. Do not operate under influence of drugs or alcohol. 14. Prevent unauthorized use by children or untrained users; restrict access or disable machine when unattended.

Date: _____
Serial Number: _____
Manufactured for Grizzly in China

101

WARNING!

To reduce risk of death or serious injury, read manual BEFORE using product.

To get a new manual, call (800) 523-4777 or go to www.grizzly.com.

106V2

WARNING!

AIR PRESSURE HAZARD! DO NOT exceed 125 PSI when using this product.

108

CANISTER PLUNGER

PUSH IN, THEN RELEASE RAPIDLY TO KNOCK DUST LOOSE FROM THE FILTER CARTRIDGE.

Filter cartridge should be cleaned with compressed air after every 5 hours of operation. See Owner's Manual for more information on this procedure.

103V2

WARNING!

BLAST INJURY! SHOCK HAZARD! Disconnect power and air supply before adjustments, maintenance, or service.

102

WARNING!

EYEBALLING INJURY HAZARD! Always wear safety glasses and a respirator when using this machine.

109V2

NOTICE

- Recommended Operating Air Pressure is 80 PSI.
- Clean dust collector cartridge regularly. Blow air through the cartridge from the inside out.
- Check and drain the moisture trap regularly.
- With every use, inspect gloves and hoses for leaks. Replace worn or damaged parts as needed.
- With every use, inspect spray hose for soft spots, replace worn or damaged parts as needed.
- Do not overfill the hopper. Periodically drain the hopper completely and refill with new media.
- Every three months, perform a full inspection on all fittings, gun parts, hoses, and cartridge filter. Replace worn or damaged parts as needed.

Troubleshooting

If flow of media is obstructed, check metering valve and media hose for obstructions. Blow compressed air back through gun and hoses to free any clogs. If flow of media begins, then stop again, drain and replace all media. Disassemble and clean the gun, hoses, and metering valve, then reassemble. If air still does not flow, drain and clean moisture trap. See Owner's manual for more troubleshooting information.

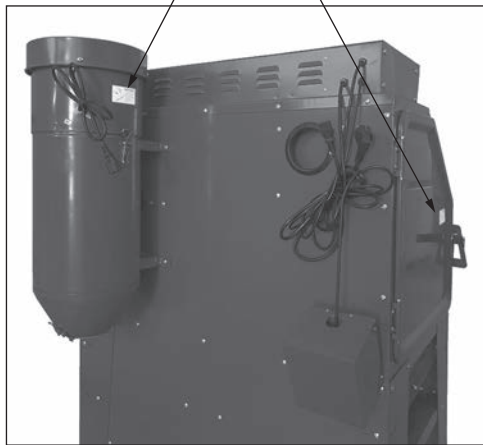
104

WARNING!

Some dust created by power sanding, sawing, grinding, drilling, and other construction activities contains chemicals known to the State of California to cause cancer, birth defects or other reproductive harm. Some examples of these chemicals are:

- Lead from lead-based paints,
- Crystalline silica from bricks, cement and other masonry products,
- Arsenic and chromium from chemically-treated lumber.

Your risk from these exposures varies, depending on how often you do this type of work. To reduce your exposure to these chemicals: Work in a well-ventilated area, and work with approved safety equipment, such as those dust masks that are specially designed to filter out microscopic particles.



grizzly.com

G0707

110

105V2

REF	PART #	DESCRIPTION
100V2	P0707100V2	MACHINE ID LABEL V2.01.15
101	P0707101	READ MANUAL LABEL
102	P0707102	GLASSES/RESPIRATOR LABEL
103V2	P0707103V2	DISCONNECT AIR/POWER LABEL V2.01.15
104	P0707104	DUST WARNING LABEL

REF	PART #	DESCRIPTION
105V2	P0707105V2	MODEL NUMBER LABEL V2.01.15
106V2	P0707106V2	AIR PRESSURE HAZARD LABEL V2.01.15
108	P0707108	FILTER CLEANING LABEL
109V2	P0707109V2	GENERAL WARNING LABEL V2.01.15
110	P0707110	GRIZZLY.COM LABEL

⚠ WARNING

Safety labels help reduce the risk of serious injury caused by machine hazards. If any label comes off or becomes unreadable, the owner of this machine **MUST** replace it in the original location before resuming operations. For replacements, contact (800) 523-4777 or www.grizzly.com.

BUY PARTS ONLINE AT GRIZZLY.COM!

Scan QR code to visit our Parts Store.

