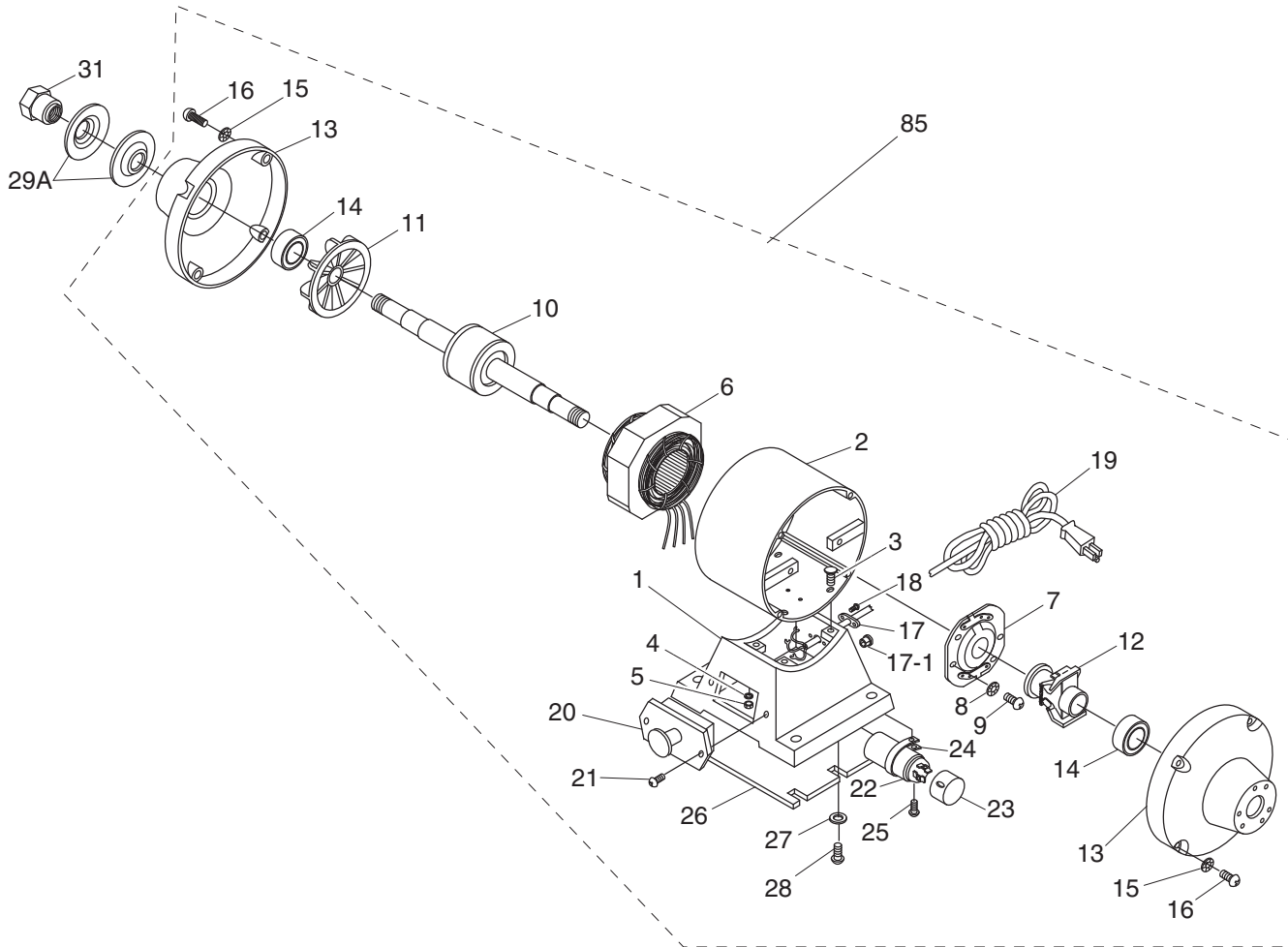


# SECTION 9: PARTS

## Main

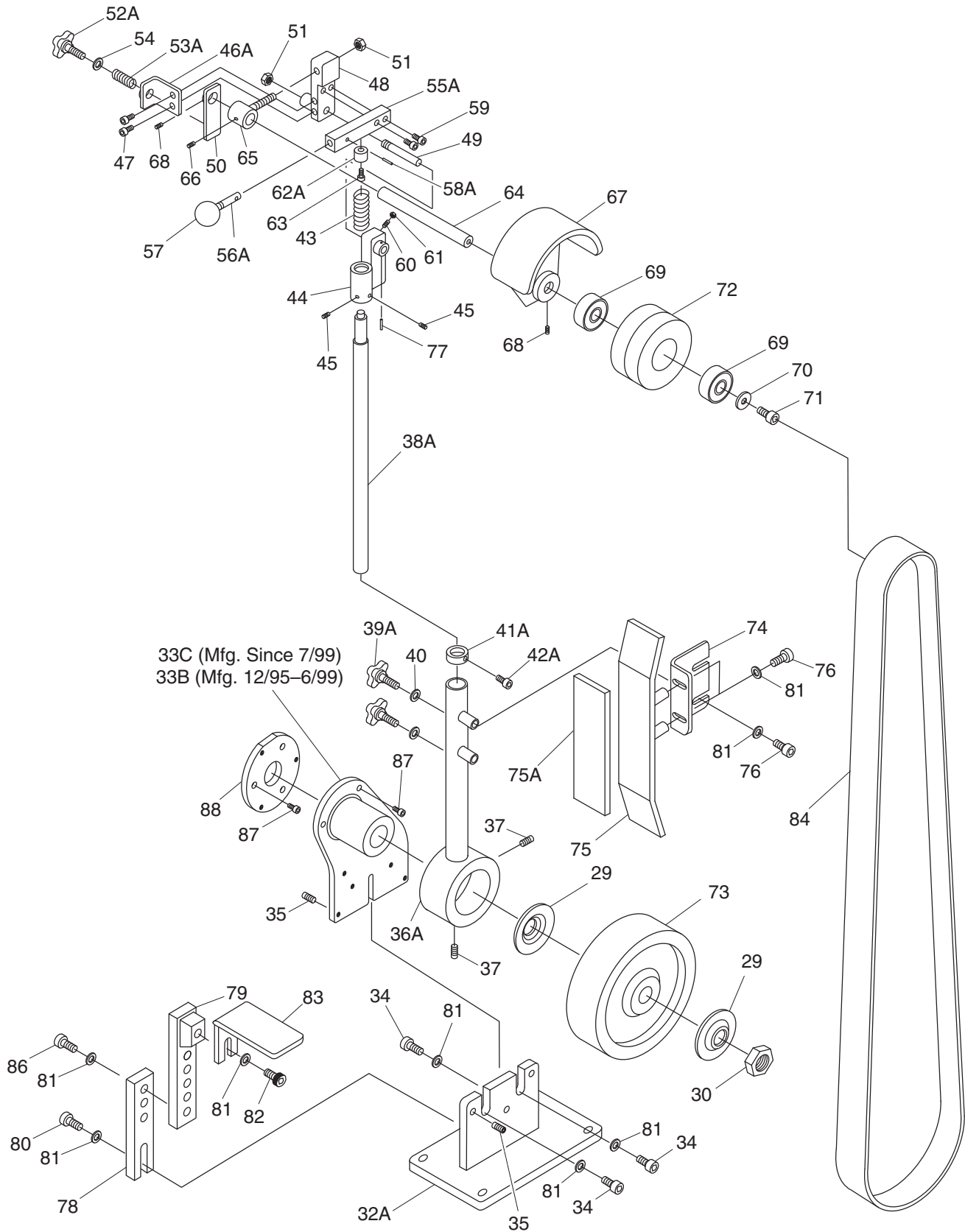


REF	PART #	DESCRIPTION
1	P1015001	BASE
2	P1015002	MOTOR CASE
3	PS11	PHLP HD SCR 5/16-18 X 1-1/4
4	PLW01	LOCK WASHER 5/16
5	PN02	HEX NUT 5/16-18
6	P1015006	STATOR WINDING
7	PCP004	CONTACT PLT, LG, INT PT
8	PLW03	LOCK WASHER 3/16
9	PS01	PHLP HD SCR 10-24 X 1/2
10	P1015010	ROTOR/SHAFT
11	P1015011	FAN
12	P1015012	CENTRIFUGAL SWITCH
13	P1015013	END BELL
14	P6206ZZ	BALL BEARING 6206ZZ
15	PLW02	LOCK WASHER 1/4
16	PS12	PHLP HD SCR 1/4-20 X 5/8

REF	PART #	DESCRIPTION
17	P1015017	CORD CLAMP
17-1	P1015017-1	STRAIN RELIEF
18	PS13	PHLP HD SCR 10-24 X 1-1/4
19	PWRCRD110L	POWER CORD 16GA/3W 73"L
20	P1061018	ON/OFF BUTTON
21	PS01	PHLP HD SCR 10-24 X 1/2
22	PC300B	S CAP. 300M 125V 1-3/4 X 3-3/8
23	P1015023	CAPACITOR COVER
24	P1015024	CAPACITOR CLAMP
25	PS06	PHLP HD SCR 10-24 X 3/8
26	P1015026	COVER PLATE
27	PW06	FLAT WASHER 1/4
28	PS06	PHLP HD SCR 10-24 X 3/8
29A	P1061029	WHEEL FLANGE 64.7 X 19.2 X 2.8MM
31	P1015031	ARBOR NUT 5/8-18 LH
85	P1015085	COMPLETE MOTOR ASSEMBLY



# Sanding Assembly Breakdown



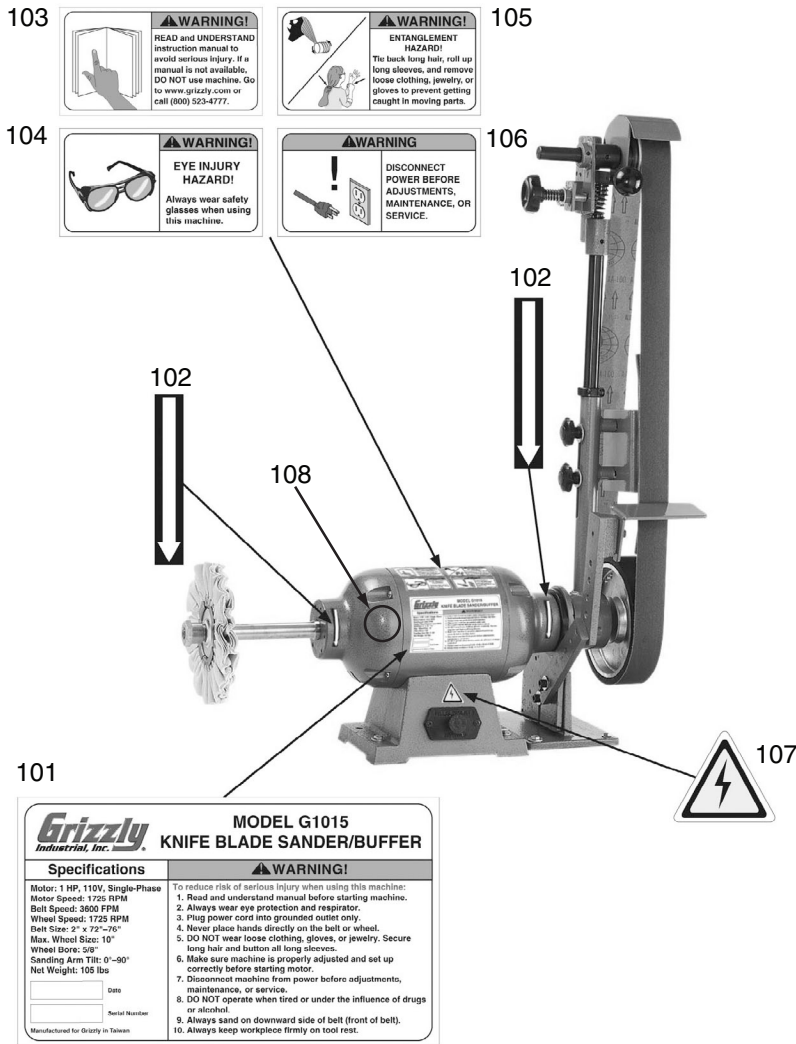
# Sanding Assembly Parts List

REF PART #	DESCRIPTION
29	P1015029 WHEEL FLANGE 73.2 X 16.1 X 2.8MM
30	PN03 HEX NUT 3/4-16
32A	P1015032A PIVOT ARM MOUNTING BRACKET
33B	P1015033B PIVOT BRACKET W/BUSHING V3.12.95
33C	P1015033C PIVOT BRACKET W/O BUSHING V4.07.99
34	PCAP03 CAP SCREW 5/16-18 X 1
35	PSS08 SET SCREW 5/16-18 X 1/2
36A	P1015036A PIVOT ARM
37	PSS09 SET SCREW 3/8-16 X 1/2
38A	P1015038A SHAFT 1"
39A	P1015039A KNOB 3/8-16
40	PW07 FLAT WASHER 5/16
41A	P1015041A COLLAR FOR 1" SHAFT
42A	PCAP35 CAP SCREW 1/4-28 x 5/8
43	P1015043 COMPRESSION SPRING D22.3 X 87MM
44	P1015044 UPPER SHAFT BRACKET
45	PSS05 SET SCREW 5/16-18 X 1/4
46A	P1015046A TRACKING BRACKET
47	PCAP04 CAP SCREW 1/4-20 X 1/2
48	P1015048 PIVOT BRACKET
49	P1015049 SHAFT
50	P1015050 TRACKING LEVER
51	PLN01 LOCK NUT 3/8-16
52A	P1015052A TRACKING KNOB 1/2-20
53A	P1015053A COMPRESSION SPRING D18 X 56MM
54	PW01 FLAT WASHER 1/2
55A	P1015055A TENSION BAR 4-1/8"
56A	P1015056A TENSION KNOB SHAFT
57	P1015057 TENSION KNOB 3/8-16
58A	PRP03M ROLL PIN 5 X 20

REF PART #	DESCRIPTION
59	PCAP07 CAP SCREW 5/16-18 X 3/4
60	PSS10 SET SCREW 1/4-20 X 5/8
61	PN05 HEX NUT 1/4-20
62A	P1015062A SPRING BUSHING
63	PCAP06 CAP SCREW 1/4-20 X 1
64	P1015064 AXLE
65	P1015065 PIVOT BUSHING
66	PSS03 SET SCREW 1/4-20 X 3/8
67	P1015067 WHEEL GUARD
68	PSS05 SET SCREW 5/16-18 X 1/4
69	P6204ZZ BALL BEARING 6204ZZ
70	PW06 FLAT WASHER 1/4
71	PCAP04 CAP SCREW 1/4-20 X 1/2
72	P1015072 IDLER WHEEL
73	P1015073 DRIVE WHEEL
74	P1015074 PLATEN BRACKET
75	P1015075 PLATEN
75A	P1015075A GRAPHITE PAD 2"W X 9"L
76	PCAP07 CAP SCREW 5/16-18 X 3/4
77	PRP05 ROLL PIN 1/8 X 1
78	P1015078 TOOL REST SUPPORT LEFT
79	P1015079 TOOL REST SUPPORT RIGHT
80	PCAP03 CAP SCREW 5/16-18 X 1
81	PW07 FLAT WASHER 5/16
82	PCAP07 CAP SCREW 5/16-18 X 3/4
83	P1015083 TOOL REST
84	G2745 SANDING BELT 2" X 72" 100GR
86	PCAP11 CAP SCREW 5/16-18 X 1-1/4
87	PCAP04 CAP SCREW 1/4-20 X 1/2
88	P1015088 MOUNTING ADAPTOR



# Machine Labels



**Grizzly** INDUSTRIAL, Inc. **MODEL G1015 KNIFE BLADE SANDER/BUFFER**

Specifications	WARNING!
Motor: 1 HP, 110V, Single-Phase Motor Speed: 1725 RPM Belt Speed: 3600 FPM Wheel Speed: 1725 RPM Belt Size: 2" x 72"-76" Max. Wheel Size: 10" Wheel Bore: 5/8" Sanding Arm Tilt: 0°-90° Net Weight: 105 lbs	To reduce risk of serious injury when using this machine: 1. Read and understand manual before starting machine. 2. Always wear eye protection and respirator. 3. Plug power cord into grounded outlet only. 4. Never place hands directly on the belt or wheel. 5. DO NOT wear loose clothing, gloves, or jewelry. Secure long hair and button all long sleeves. 6. Make sure machine is properly adjusted and set up correctly before starting motor. 7. Disconnect machine from power before adjustments, maintenance, or service. 8. DO NOT operate when tired or under the influence of drugs or alcohol. 9. Always sand on downward side of belt (front of belt). 10. Always keep workpiece firmly on tool rest.

Date  
 Serial Number  
Manufactured for Grizzly in Taiwan

REF	PART #	DESCRIPTION
101	P1015101	MACHINE ID LABEL
102	P1015102	ROTATION DIRECTION LABEL
103	PLABEL-12D	READ MANUAL LABEL
104	PLABEL-11D	EYE INJURY HAZARD LABEL

REF	PART #	DESCRIPTION
105	PLABEL-55C	ENTANGLEMENT HAZARD LABEL
106	PLABEL-62C	DISCONNECT WARNING LABEL
107	PLABEL-14B	ELECTRICITY LABEL
108	PPAINT-1	GRIZZLY GREEN TOUCH-UP PAINT

**!WARNING**

Safety labels warn about machine hazards and ways to prevent injury. The owner of this machine **MUST** maintain the original location and readability of the labels on the machine. If any label is removed or becomes unreadable, **REPLACE** that label before using the machine again. Contact Grizzly at (800) 523-4777 or [www.grizzly.com](http://www.grizzly.com) to order new labels.

