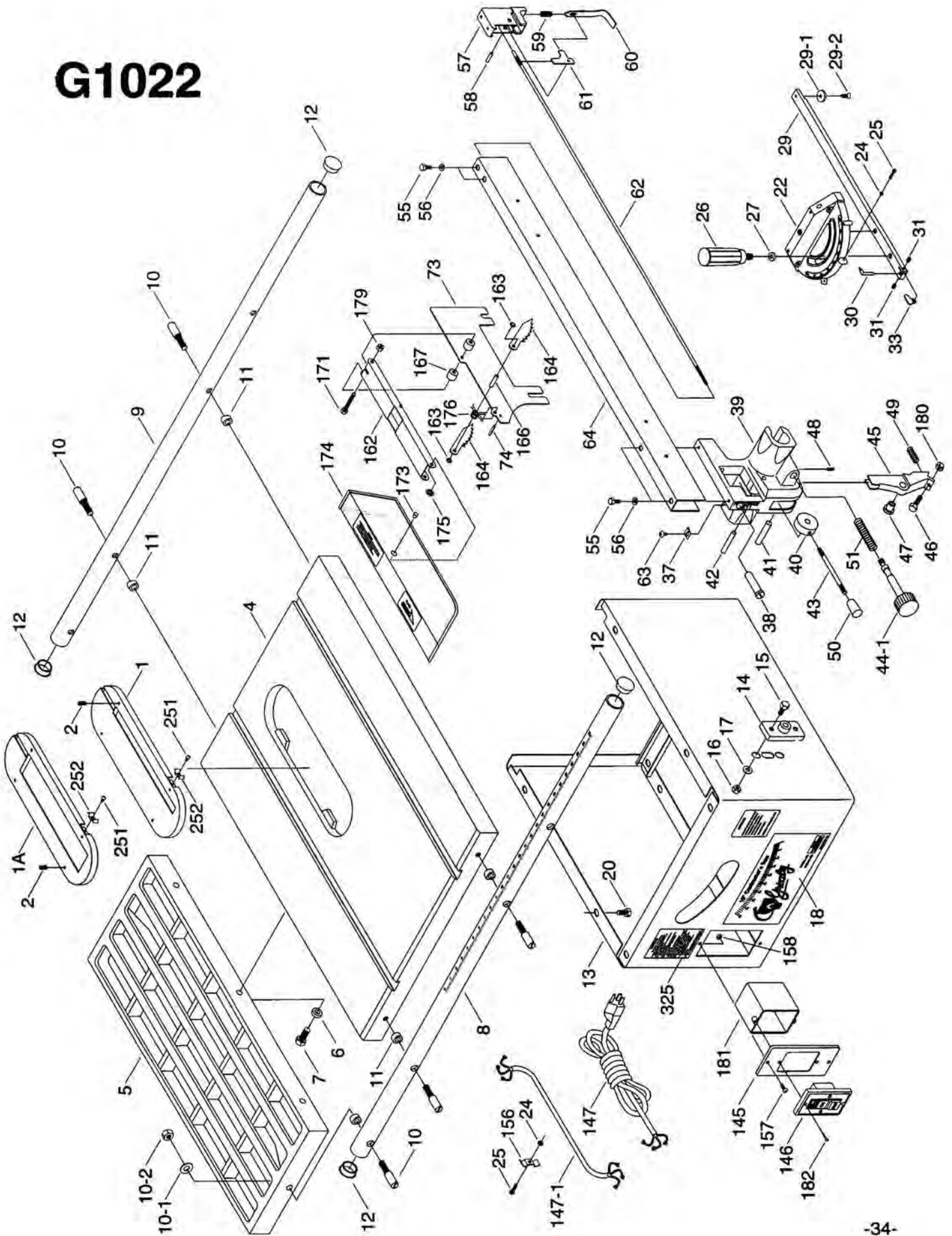
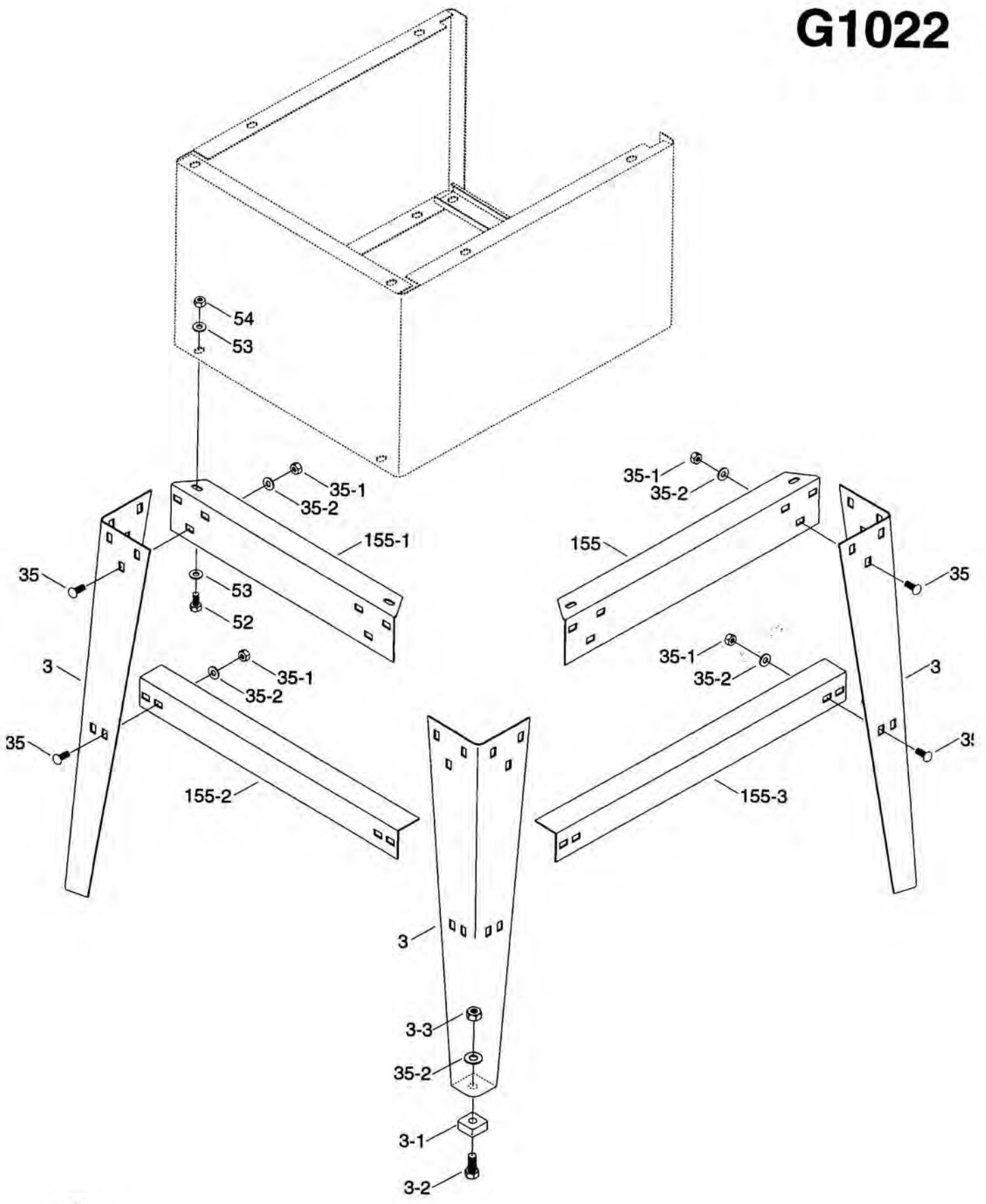




# G1022



# G1022



# G1022 PARTS LIST

REF	PART #	DESCRIPTION
1	P1022001	TABLE INSERT
1A	P1022001-A	DADO INSERT
2	PSS04M	SETSCREW M6-1.0 x 12
3	P1022Z003	STAND LEG
3-1	P1022Z003-1	FOOT
3-2	P1022Z003-2	HEX BOLT M10-1.5 x 25mm
3-3	PN02M	HEX NUT M10-1.5
4	P1022004	TABLE
5	G1193	EXTENSION WING
6	P1022006	SPECIAL WASHER
7	PB01M	HEX BOLT M10-1.5 x 30mm
8	P1022008	FRONT GUIDE RAIL
9	P1022009	REAR GUIDE RAIL
10	P1022010	SPECIAL RAIL BOLT
10-1	PW04M	FLAT WASHER 10mm
10-2	PN01M	HEX NUT M10-1.5
11	P1022011	RAIL SPACER
12	P1022012	GUIDE RAIL PLUG
13	P1022013	CABINET
14	P1022014	GEAR BRACKET
15	PB03M	HEX BOLT M8-1.25 x 16mm
16	PN02M	HEX NUT M10-1.25
17	PW01M	FLAT WASHER 8mm
18	P1022018	TILTING SCALE
20	PB03M	HEX BOLT M8-1.25 x 16mm
21	PW01M	FLAT WASHER 8mm
22	P1022022	MITER BODY
24	PN04M	HEX NUT M4-0.7
25	PS01M	PHLP HD SCR M4-0.7 x 18
26	P1022026	HAND KNOB
27	P1022027	FIBER WASHER
29	P1022029	MITER BAR
29-1	P1022029-1	T-SLOT WASHER
29-2	PFH04M	FLAT HEAD SCR M6-1.0 x 8
30	P1022030	ANGLE POINTER
31	PSS02M	SETSCREW M6-1.0 x 6mm
33	P1022033	STOP LINK
35	PCB01M	CARR BOLT M8-1.25x20mm
35-1	PN03M	HEX NUT M8-1.25
35-2	PW01M	FLAT WASHER 8mm
37	P1022037	WIDTH POINTER
38	P1022038	FENCE ADJUSTER
39	P1022039	FRONT CLAMP

REF	PART #	DESCRIPTION
40	P1022040	ECCENTRIC
41	P1022041	SHAFT FOR ECCENTRIC
42	P1022042	SHAFT FOR CLAMP
43	P1022043	LOCK LEVER
44-1	P1022044-1	PINION W/ KNOB
45	P1022045	CLAMP SHOE
46	P1022046	ADJUSTING BOLT
47	P1022047	SHAFT BUSHING
48	PSS02M	SET SCREW M6-1.0 x 6
49	P1022049	SPRING
50	P1022050	HAND KNOB
51	P1022051	SPRING
52	PB03M	HEX BOLT M8-1.25 x 16mm
53	PW01M	FLAT WASHER 8mm
54	PN03M	HEX NUT M8-1.25
55	PB06M	HEX BOLT M8-1.25 x 12mm
56	PW01M	FLAT WASHER 8mm
57	P1022057	BLOCK
58	P1022058	PIN
59	P1022059	SPRING
60	P1022060	CLAMP HOOK
61	P1022061	LEVER
62	P1022062	LOCK LINK
63	PS05M	PHLP HD SCR M5-0.8 x 8
64	P1022064	FENCE
73	P1022073	SPLITTER
74	PRP20M	ROLL PIN 4 x 22
75	P1022075	BRACKET
77	PB03M	HEX BOLT M8-1.25 x 16mm
78	PW01M	FLAT WASHER 8mm
79	PB02M	HEX BOLT M6-1.0 x 12mm
80	PW03M	FLAT WASHER 6mm
83	P1022083	HANDLE
85A	P1022085A	KNOB
87	P1022087	HANDWHEEL
88-1	P1022088-1	POINTER ASSEMBLY
89	PSS03M	SETSCREW M6-1.0 x 8mm
90	P1022090	FRONT BRACKET
91	PW01M	FLAT WASHER 8mm
92	PSB13M	CAP SCREW M8-1.25x30mm
93	P1022093	ANGLE WORM SHAFT
95	P1022095	COLLAR
96	PSS02M	SETSCREW M6-1.0 x 6mm

# G1022 PARTS LIST

REF	PART #	DESCRIPTION
97	PRP02M	ROLL PIN 3 x 16
98	PN05M	HEX NUT M16-1.5
99	P1022090	FRONT TRUNNION
100	PRP02M	ROLL PIN 5 X 24
101	PSS04M	SET SCREW M6 - 1.0 x12mm
102	P1022102	WAVY WASHER
103	PW03M	FLAT WASHER 6mm
104	PB08M	HEX BOLT M6-1.0 x 20mm
105	PB10M	HEX BOLT M6-1.0 x 25mm
106	PN01M	HEX NUT M6-1.0
107	P1022107	SET PLATE
108	P1022108	LINKING BAR
109	P1022109	SPACER
110	P1022110	ECCENTRIC SLEEVE
111	P1022111	WORM SHAFT
112	P1022112	SPACER
113	P1022113	ARBOR BRACKET
114	P1022114	ARBOR BRACKET PIN
115	P1022115	ARBOR NUT
116	P1022116	FLANGE
118	P1022118	BLADE ARBOR
119	PR01M	EXT RETAINING RING 10MM
120	P6203	BEARING 6203-2RS
122	PK01M	KEY 5 x 5 x 22mm
123	P1022123	WORM
123-1	P1022123-1	ROLL PIN
124	P1022124	HEX NUT
125	P1022125	SPINDLE PULLEY
125-1	P1022125-1	MOTOR PULLEY
126	PSS03M	SETSCREW M6-1.0 x 12mm
127	P1022127	REAR TRUNNION
128	P1022128	REAR BRACKET
129	P1022129	MOTOR BRACKET
130	PSS04M	SETSCREW M6-1.0 x 12mm
131	P1022131	MOTOR PLATE ROD
132	P1022132	MOTOR PLATE
133	PB07M	HEX BOLT M8-1.25 x 25mm
134	PW01M	FLAT WASHER 8mm
135	PLW06	LOCK WASHER 5/8"
136	PN03M	HEX NUT M8-1.25
137	PN05M	HEX NUT M16-1.5
138	P1022138	SHAFT
139	P1022139	BRACKET
140	PB26M	HEX BOLT M8-1.25 x 30mm

REF	PART #	DESCRIPTION
141	PB03M	HEX BOLT M8-1.25 x 16mm
142	P1022142	CONNECTING PLATE
143	PN03M	HEX NUT M8-1.25
144	PW01M	FLAT WASHER 8mm
145	P1022145	SWITCH BRACKET
146	P1022146	SWITCH
147	PWRCRD110L	PWR CRD 16G X 3W 73"L
147-1	PWRCRD110S	PWR CRD 16G X 3W 24"L
148	P1022148	SPANNER WRENCH
149	P1022149	PULLEY GUARD BRACKET
150	PB10	HEX BOLT 1/4"-20 x 2"
152	P1022152	SLEEVE
153	P1022153	PULLEY COVER
154	PWN02	WINGNUT 1/4"-20
155	P1022Z155	UPPER BRACKET - LONG
155-1	P1022Z155-1	UPPER BRACKET - SHORT
155-2	P1022Z155-2	LOWER BRACKET - SHORT
155-3	P1022Z155-3	LOWER BRACKET - LONG
156	P1022156	WIRE CLAMP
157	PS09M	PHLP HD SCR M5-0.8 x 12
158	PN06M	HEX NUT M5-0.8
159	PVA43	V-BELT A-43
160	P1022160	MOTOR 1 1/2 H.P.
161	P1022161	STRAIN RELIEF
162	P1022162	SUPPORTING ARM
163	P1022163	RETAINER
164	P1022164	PAWL
166	P1022166	PIN
167	P1022167	SPACER
171	P1022171	HEX BOLT M6-1.0 x 40mm
173	P1022173	PIVOT PIN
174	P1022174	GUARD
175	P1022175	RETAINER
176	P1022176	SPRING
179	PLN03M	LOCK NUT M6-1.0
180	PN02M	HEX NUT M10-1.5
181	P1022181	SWITCH GUARD
182	P1022182	SCREW
183	P1022183	HEX BOLT M6-1.0 x 50mm
250	P1022250	CLAMP
251	PS05M	PHLIP HD SCR M5-0.8 X 8
252	P1022252	SPRING
325	P1022325	WARNING LABEL