

Grizzly ***Industrial, Inc.*** ®

15" BANDSAW **MODEL G1148** **PARTS LIST**



COPYRIGHT © 1994 BY GRIZZLY INDUSTRIAL, INC.

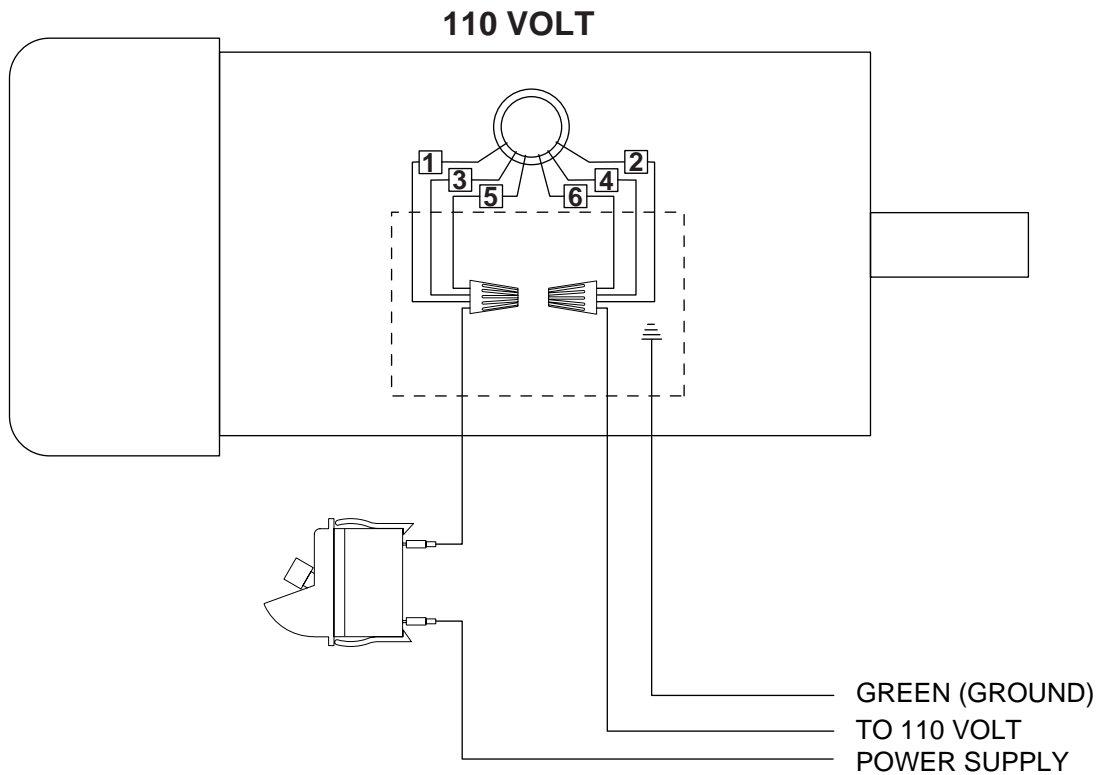
**WARNING: NO PORTION OF THIS MANUAL MAY BE REPRODUCED IN ANY SHAPE
OR FORM WITHOUT THE WRITTEN APPROVAL OF GRIZZLY IMPORTS, INC.**

REVISED APRIL, 1999. PRINTED IN U.S.A.

PARTS LIST DISCLAIMER

This parts list and drawings represent the configuration of the machine as it is currently being shipped. The machine configuration can change as product improvements are incorporated. If you own an earlier version of the machine, this parts list may not depict your machine exactly. Contact Customer Service if you have any questions about part differences. Previous parts list versions are not available on-line.

G1148 WIRE DIAGRAM



⚠ CAUTION

This motor can be wired for 220 volt operation. However, the switch that comes with the saw should not be used to switch 220 volts. Please contact our Service Department for information and suggested switch if you are considering running this machine at 220 volts.

MAIN BODY PARTS DIAGRAM

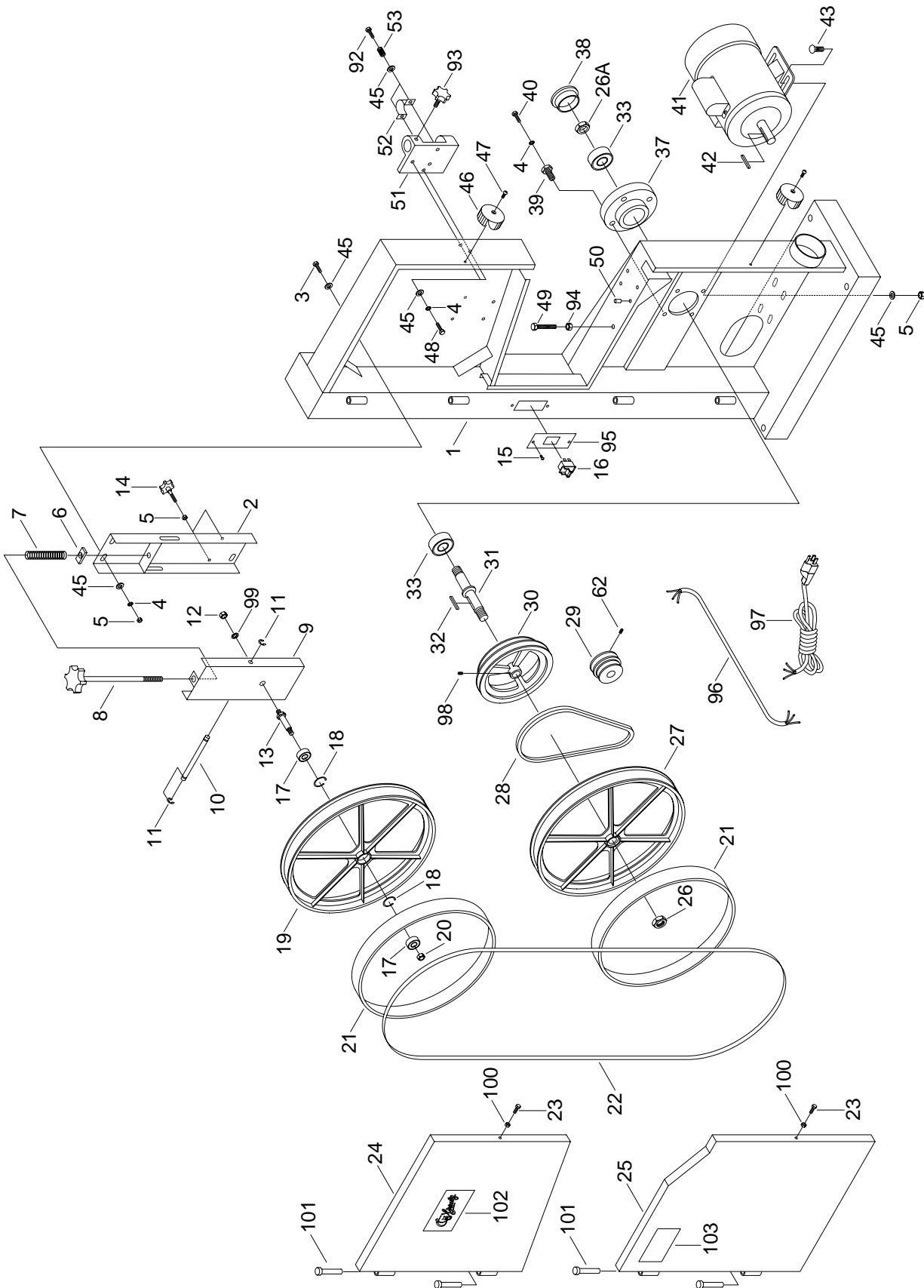
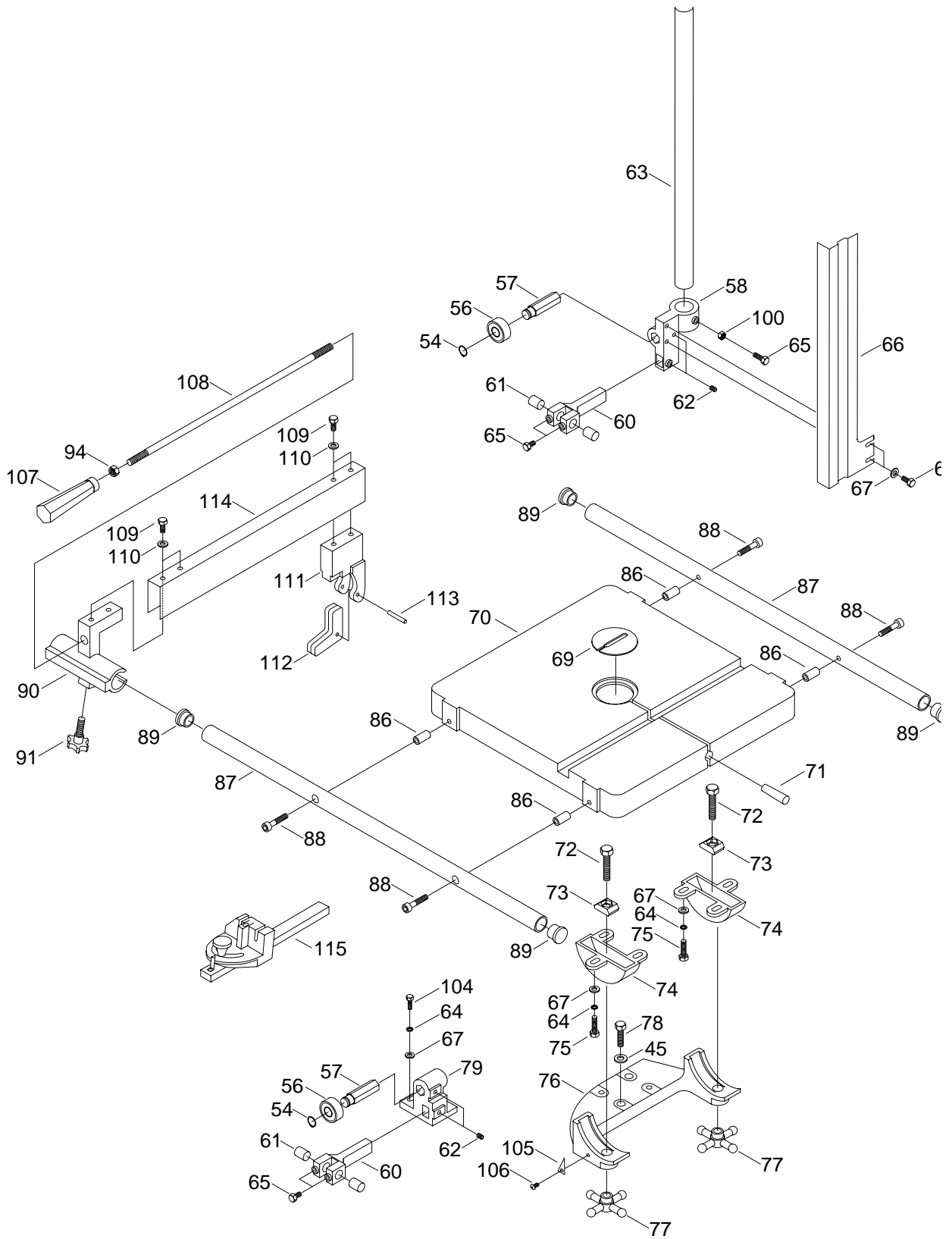


TABLE PARTS DIAGRAM



PARTS LIST

| REF# | PART# | DESCRIPTION |
|------|-----------|----------------------------|
| 001 | P1148001 | BODY |
| 002 | P1148002 | TOP WHEEL MOUNT |
| 003 | PB07 | HEX BOLT 5/16"-18 x 3/4" |
| 004 | PLW01 | LOCK WASHER 5/16" |
| 005 | PN02 | HEX NUT 5/16"-18 |
| 006 | P1148006 | SPECIAL NUT |
| 007 | P1012018 | SPRING |
| 008 | P1148008 | TENSION KNOB |
| 009 | P1148009 | TOP WHEEL BRACKET |
| 010 | P1148010 | ROD |
| 011 | PEC09M | E-CLIP 6mm |
| 012 | PN06 | HEX NUT 1/2"-12 |
| 013 | P1148013 | TOP WHEEL SHAFT |
| 014 | P1148014 | TRACKING KNOB |
| 015 | PS06 | PHLP HD SCREW 10-24 x 3/8" |
| 016 | PSW06 | SWITCH 110/220 VOLT |
| 017 | P6202 | BALL BEARING 6202 |
| 018 | PR21M | INT RETAINING RING 35mm |
| 019 | P1148019 | TOP WHEEL |
| 020 | PN01 | HEX NUT 1/2"-20 |
| 021 | P1148021 | TIRE |
| 022 | P1148022 | G5196 - G5217 103" BLADES |
| 023 | PB19 | HEX BOLT 1/4"-20 x 1/2" |
| 024 | P1148024 | TOP COVER |
| 025 | P1148025 | BOTTOM COVER |
| 026 | P1012069 | SPECIAL L.H. JAMNUT |
| 026A | P1037081B | RIGHT HAND 3/4"-16 NUT |
| 027 | P1148027 | LOWER WHEEL |
| 028 | PVM31 | V-BELT M-31 3L310 |
| 029 | P1148029 | MOTOR PULLEY |
| 030 | P1148030 | WHEEL PULLEY |
| 031 | P1148031 | SHAFT |
| 032 | PK02M | KEY 5 x 5 x 40 |
| 033 | P6204 | BALL BEARING 6204 |

| REF# | PART# | DESCRIPTION |
|------|-----------|-------------------------------|
| 036 | PW02 | FLAT WASHER 3/8" |
| 037 | P1148037 | BEARING SUPPORT |
| 038 | P1148038 | DUST COVER |
| 039 | P1148039 | SPECIAL BOLT |
| 040 | PB12 | HEX BOLT 5/16" - 18 x 1 1/4" |
| 041 | P1148041 | 3/4 HP MOTOR |
| 042 | PK02M | KEY 5 x 5 x 40 |
| 043 | PCB01 | CARRIAGE BOLT 5/16"-18 x 5/8" |
| 045 | PW07 | FLAT WASHER 5/16" |
| 046 | P1148046 | GUARD LOCKING KNOB |
| 047 | PS12 | PHLP HD SCR W 1/4"-20 x 5/8" |
| 048 | PB09 | HEX BOLT 5/16"-18 x 1/2" |
| 049 | PB60 | HEX BOLT 3/8"-16 x 3" |
| 050 | P1012046 | LOCATING PIN |
| 051 | P1148051 | GUIDE BAR BRACKET |
| 052 | P1148052 | SET PLATE |
| 053 | P1148053 | SPRING |
| 054 | PR01M | EXT RETAINING RING 10mm |
| 056 | P6200 | BALL BEARING 6200 |
| 057 | P1012013 | HEX SHAFT |
| 058 | P1012005 | SUPPORT BRACKET 7/8" I D |
| 060 | P1538007A | ROUND GUIDE BLOCK HOLDER |
| 061 | P1012008 | ROUND GUIDE BLOCK |
| 062 | PSS11 | SETSCREW 1/4"-20 x 1/4" |
| 063 | P1148063 | GUIDE POST |
| 064 | PLW02 | LOCK WASHER 1/4" |
| 065 | PB51 | HEX BOLT 1/4" x 20 x 3/8" |
| 066 | P1148066 | BLADE COVER |
| 067 | PW06 | FLAT WASHER 1/4" |
| 069 | P1012044 | TABLE INSERT |
| 070 | P1148070 | WORKING TABLE |
| 071 | P1012046 | TABLE PIN |
| 072 | PB58 | HEX BOLT 3/8"-16 x 2" |
| 073 | P1012049 | TRUNNION CLAMPSHOE |

PARTS LIST (CONTINUED)

| REF# | PART# | DESCRIPTION |
|------|----------|----------------------------|
| 074 | P1012050 | TRUNNION |
| 075 | PB02 | HEX BOLT 1/4"-20 x 5/8" |
| 076 | P1148076 | TABLE BRACKET |
| 077 | P1012052 | TABLE LOCK KNOB |
| 078 | PB12 | HEX BOLT 5/16"-18 x 1 1/4" |
| 079 | P1012061 | LOWER SUPPORT BRACKET |
| 080 | PB60 | HEX BOLT 3/8"-16 x 3" |
| 081 | P1148081 | UPPER BRACE |
| 082 | P1148082 | LOWER BRACE |
| 083 | P1148083 | UPPER SIDE BRACE |
| 084 | P1148084 | LOWER SIDE BRACE |
| 085 | P1148085 | STAND LEG |
| 086 | P1012102 | FENCE RAIL SPACER |
| 087 | P1148087 | FENCE TUBE |
| 088 | PSB05 | CAP SCREW 1/4"-20 x 3/4" |
| 089 | P1148089 | PLUG |
| 090 | P1148090 | FENCE CASTING |
| 091 | P1148091 | LOCK KNOB |
| 092 | PB11 | HEX BOLT 5/16"-18 x 1 1/2" |
| 093 | P1148093 | LOCK KNOB |
| 094 | PN08 | HEX NUT 3/8"-16 |

| REF# | PART# | DESCRIPTION |
|------|----------|----------------------------|
| 095 | P1148095 | SWITCH MOUNT |
| 096 | P1148096 | MOTOR CORD |
| 097 | P1148097 | POWER CORD |
| 098 | P1148098 | SPECIAL SETSCREW |
| 099 | PLW07 | LOCK WASHER 1/2" |
| 100 | PN05 | HEX NUT 1/4" - 20 |
| 101 | P1148101 | HINGE PIN |
| 102 | P1148102 | NAME PLATE |
| 103 | P1148103 | SAFETY LABEL |
| 104 | PB05 | HEX BOLT 1/4"-20 x 3/4" |
| 105 | P1014028 | POINTER |
| 106 | PS18 | PHLP HD SCREW 10-24 x 1/4" |
| 107 | P1148107 | FENCE KNOB |
| 108 | P1148108 | ROD |
| 109 | PB02M | HEX BOLT M6-1.0 x 12 |
| 110 | PW03M | WASHER 6mm |
| 111 | P1148111 | REAR FENCE BRACKET |
| 112 | P1148112 | REAR CLAMP |
| 113 | PRP05M | ROLL PIN 5 x 30 |
| 114 | P1148114 | FENCE BODY |
| 115 | P1148115 | MITER GAUGE |