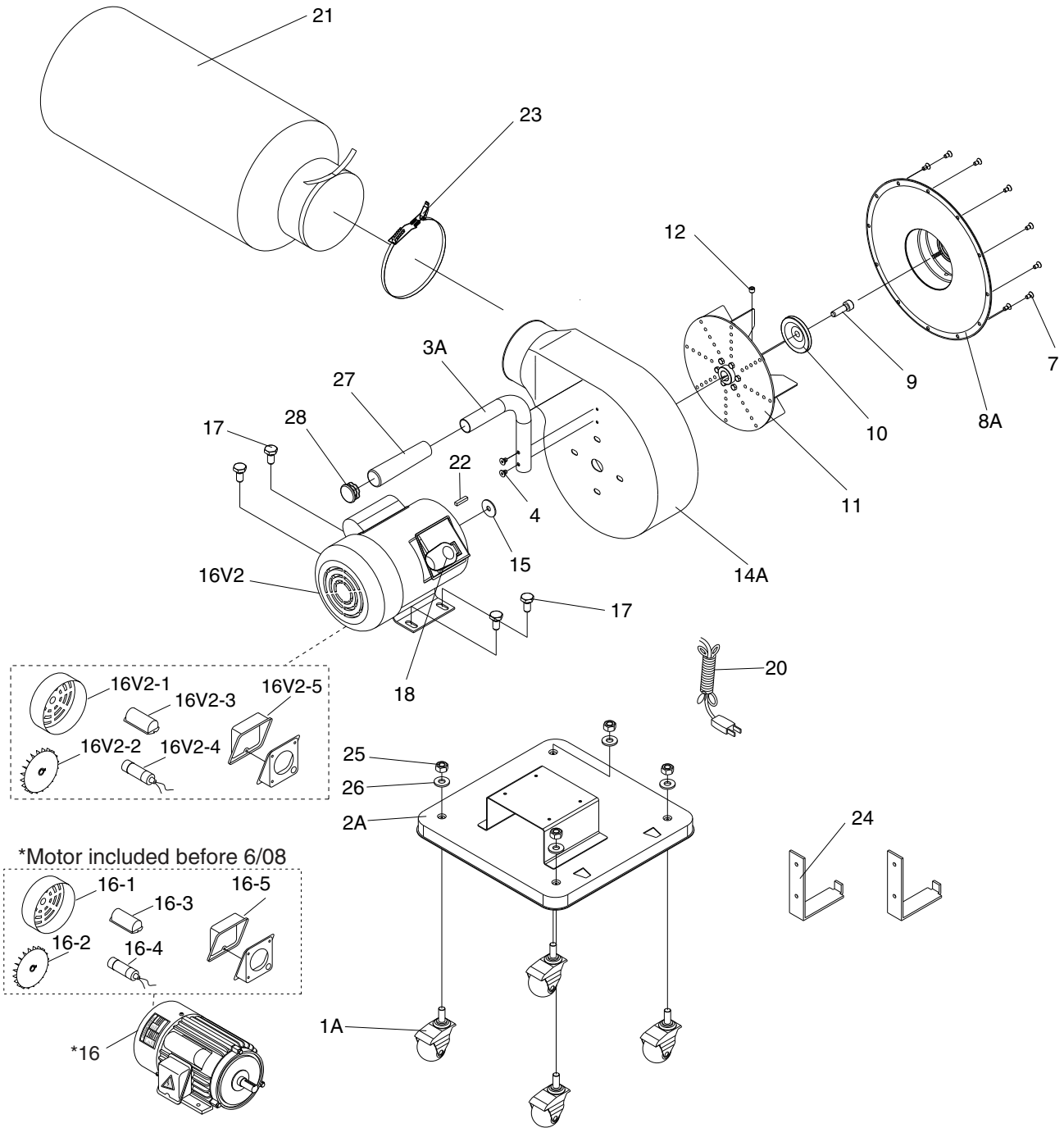
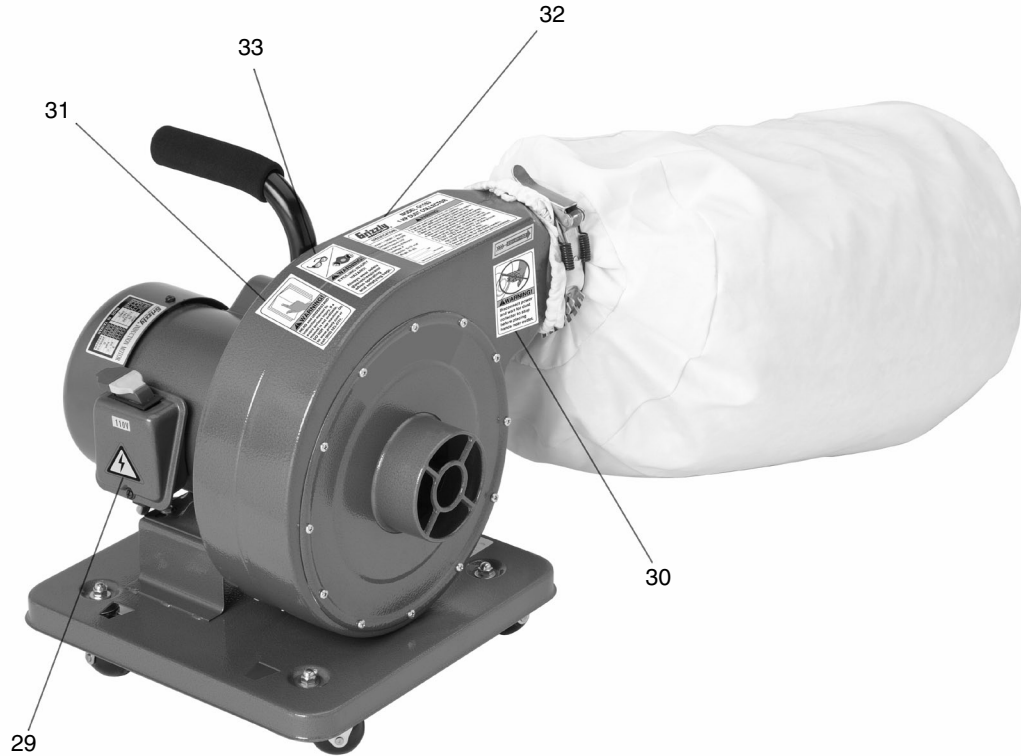


Parts Breakdown



Parts List & Labels



REF	PART #	DESCRIPTION
1A	P1163001A	CASTER V2.09.01
2A	P1163002A	BASE V2.09.01
3A	P1163003A	L HANDLE V2.09.01
4	PFH16	FLAT HD SCR 1/4-20 X 1 1/4
7	PS09M	PHLP HD SCR M5 - 0.8 X 10
8A	P1163008A	INLET COVER 11" V2.01.06
9	PSB121M	CAP SCREW M6-1 X 20 (LH)
10	P1028009	SPECIAL WASHER
11	P1032009	TURBO FAN
12	PSS02	SET SCREW 5/16-18 X 3/8
14A	P1163014A	COLLECTOR BODY 11" V2.01.06
15	P1032019	PACKING
16	P1032018	MOTOR
16-1	P1163016-1	FAN COVER
16-2	P1163016-2	MOTOR FAN
16-3	P1163016-3	CAPACITOR COVER
16-4	PC300G	CAPACITOR 300M 125V 1-3/4 X 3-3/8
16-5	P1163016-5	JUNCTION BOX
16V2	P1163016V2	MOTOR V2.06.08
16V2-1	P1163016V2-1	FAN COVER V2.06.08

REF	PART #	DESCRIPTION
16V2-2	P1163016V2-2	MOTOR FAN V2.06.08
16V2-3	P1163016V2-3	CAPACITOR COVER V2.06.08
16V2-4	PC300G	CAPACITOR 300M 125V 1-3/4 X 3-3/8
16V2-5	P1163016V2-5	JUNCTION BOX V2.06.08
17	PFB03	FLANGE BOLT 1/4-20 X 1/2
18	PSW06	PADDLE SWITCH 110/220V WITH KEY
20	PWRCRD110L	POWER CORD
21	P1163021	COLLECTION/FILTER BAG
22	PK23M	KEY 5 X 5 X 25
23	P1163023	CLAMP
24	P1163024	WALL MOUNT BRACKET
25	PN40	ACORN NUT 5/16-18
26	PW07	FLAT WASHER 5/16
27	P1163027	HANDLE COVER
28	P1163028	HANDLE CAP
29	PLABEL-14	ELECTRICITY LABEL
30	P1028Z041	HANDS/OUTLET LABEL
31	P1028Z042	READ MANUAL LABEL
32	P1163032	MACHINE ID LABEL
33	P1028Z044	EYE/LUNG LABEL

WARNING

Safety labels warn about machine hazards and ways to prevent injury. The owner of this machine **MUST** maintain the original location and readability of the labels on the machine. If any label is removed or becomes unreadable, **REPLACE** that label before using the machine again. Contact Grizzly at (800) 523-4777 or www.grizzly.com to order new labels.

