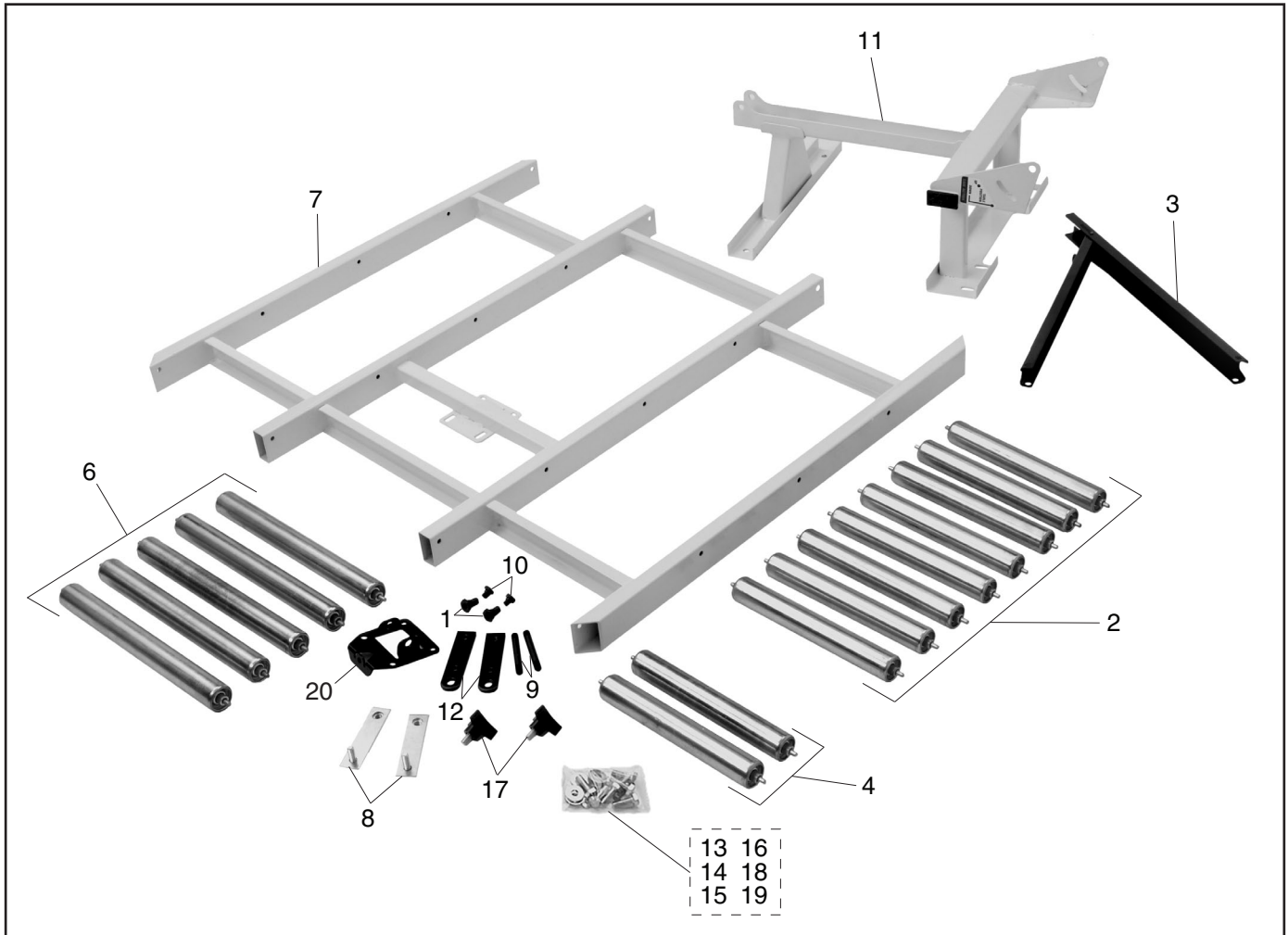




MODEL G1317 37" OUTFEED ROLLER SYSTEM PARTS INFORMATION



REF	PART #	DESCRIPTION
1	P1317001	PIVOT PIN
2	P1317002	ROLLER 10"
3	P1317003	FOLDING SUPPORT ARM
4	P1317004	ROLLER 9-1/2"
6	P1317006	ROLLER 13"
7	P1317007	ROLLER FRAME
8	P1317008	STUD PAD
9	P1317009	PIVOT ROD
10	P1317010	CAM BOLT
11	P1317011	MAIN FRAME

REF	PART #	DESCRIPTION
12	P1317012	CAM
13	PB03	HEX BOLT 5/16-18 X 1
14	PN02	HEX NUT 5/16-18
15	PLW01	LOCK WASHER 5/16
16	PWF01	FENDER WASHER 5/16
17	P1317017	KNOB 3-POINT
18	PN47	ACORN NUT 3/8-16
19	PCB03	CARRIAGE BOLT 3/8-16 X 3/4
20	P1317020	LEVELING BRACKET

COPYRIGHT © JULY, 2009 BY GRIZZLY INDUSTRIAL, INC.
**WARNING: NO PORTION OF THIS DOCUMENT MAY BE REPRODUCED IN ANY SHAPE
OR FORM WITHOUT THE WRITTEN APPROVAL OF GRIZZLY INDUSTRIAL, INC.**
#TS12030 PRINTED IN USA