

Grizzly ***Industrial, Inc.*** ®

HEAVY-DUTY WOOD LATHE **MODEL G1495** **PARTS LIST**



COPYRIGHT © 1999 BY GRIZZLY INDUSTRIAL, INC.

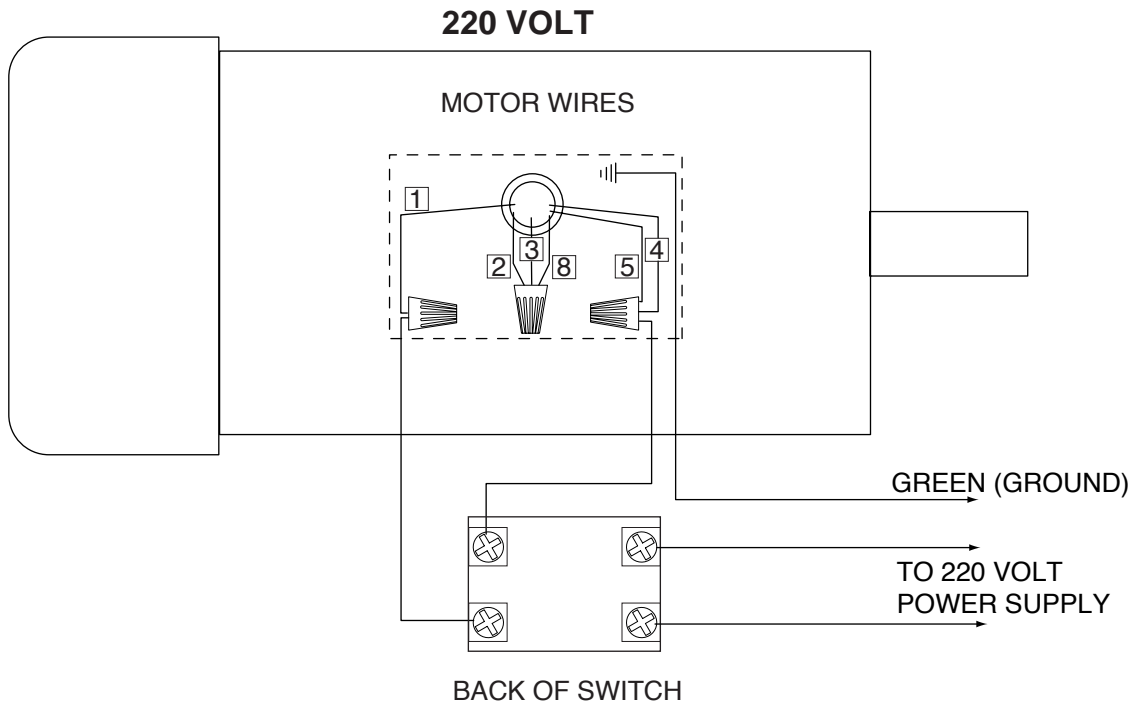
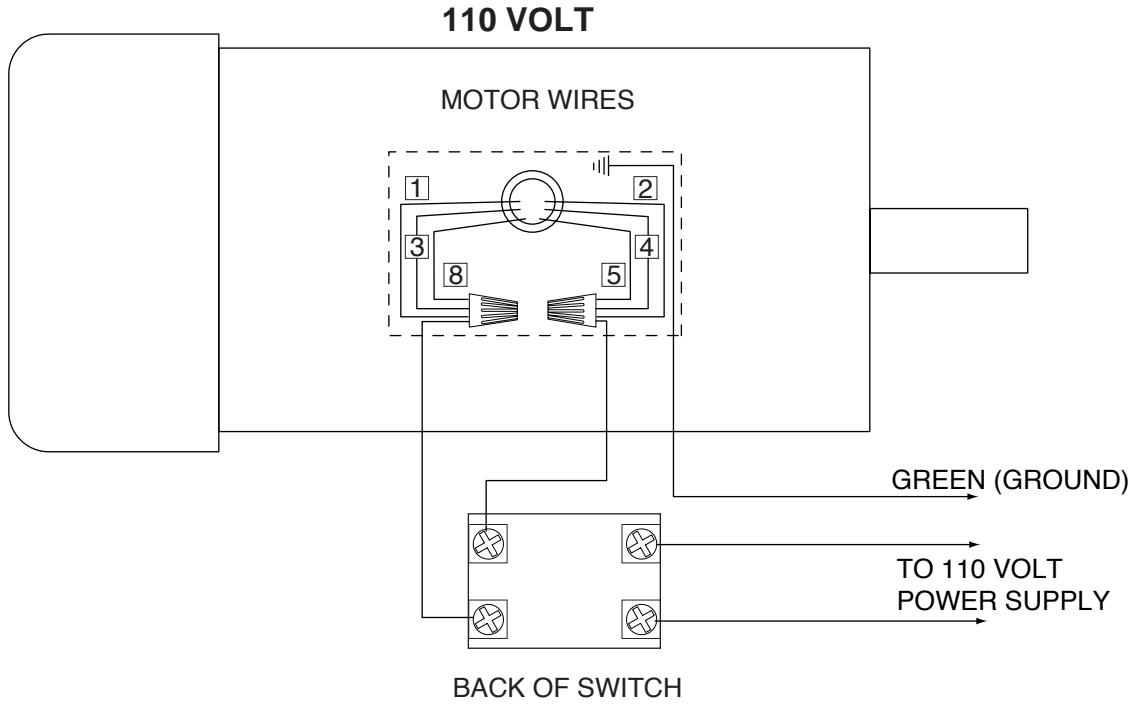
**WARNING: NO PORTION OF THIS MANUAL MAY BE REPRODUCED IN ANY SHAPE
OR FORM WITHOUT THE WRITTEN APPROVAL OF GRIZZLY INDUSTRIAL, INC.**

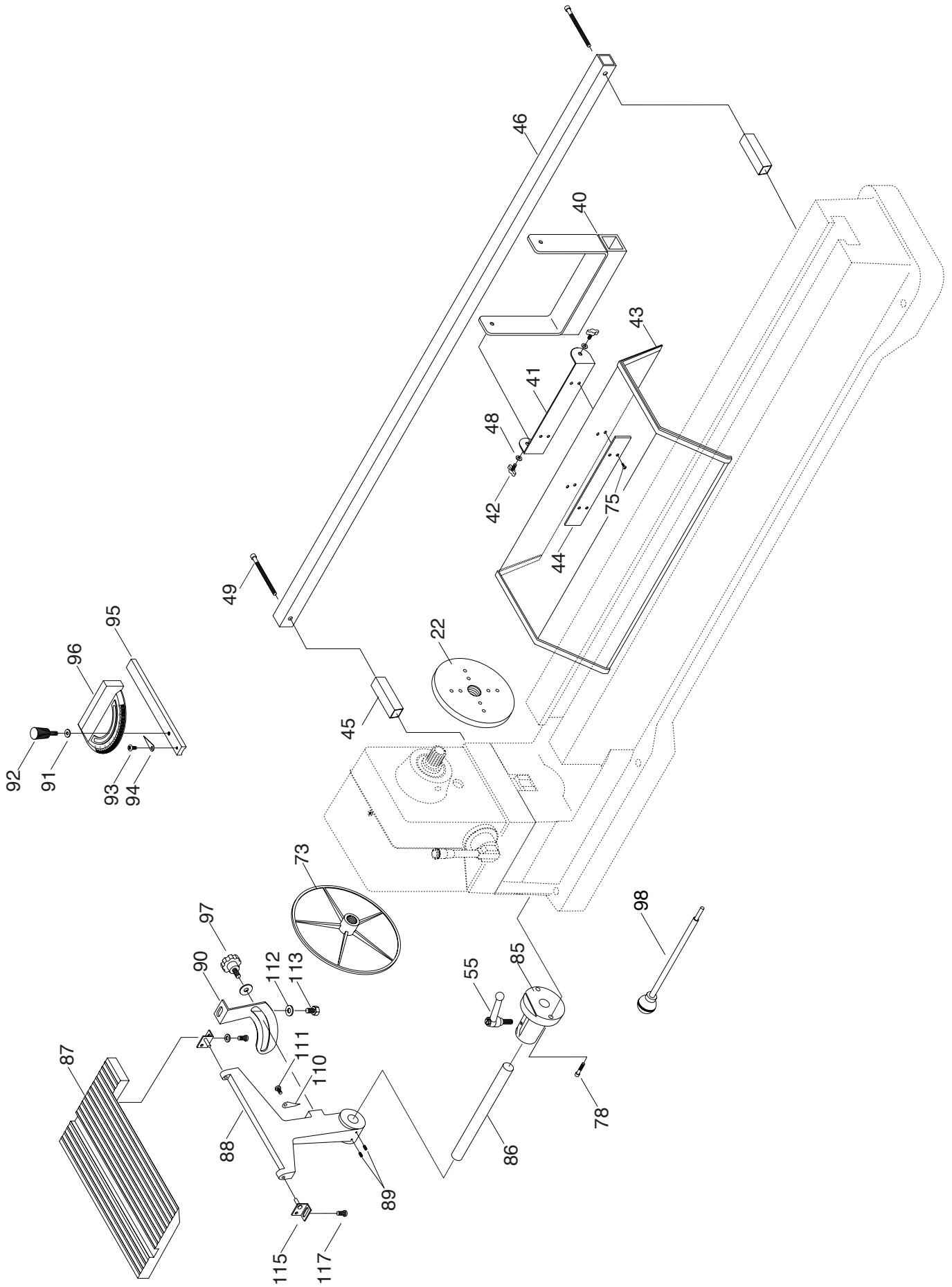
REVISED OCTOBER, 1999. PRINTED IN U.S.A.

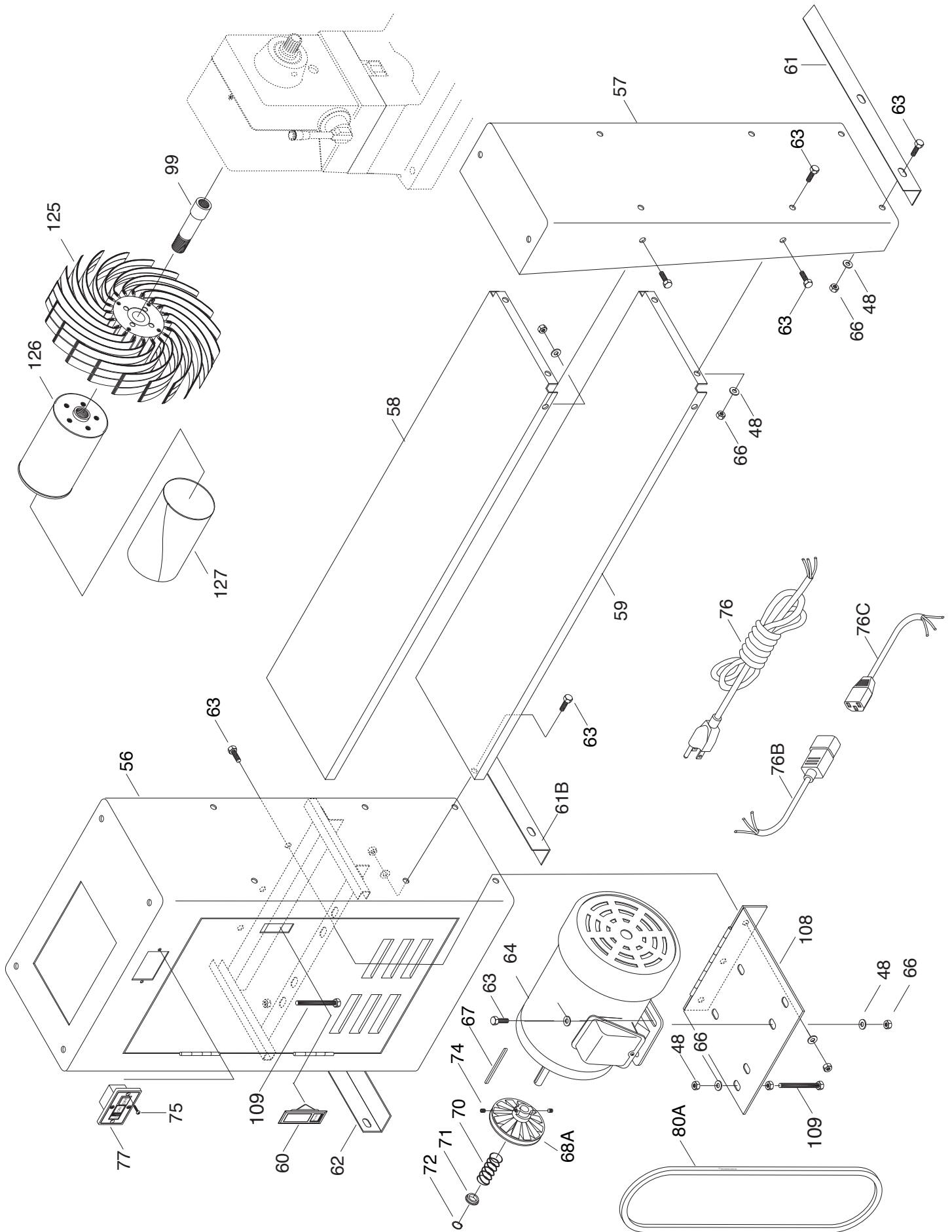
PARTS LIST DISCLAIMER

This parts list and drawings represent the configuration of the machine as it is currently being shipped. The machine configuration can change as product improvements are incorporated. If you own an earlier version of the machine, this parts list may not depict your machine exactly. Contact Customer Service if you have any questions about part differences. Previous parts list versions are not available on-line.

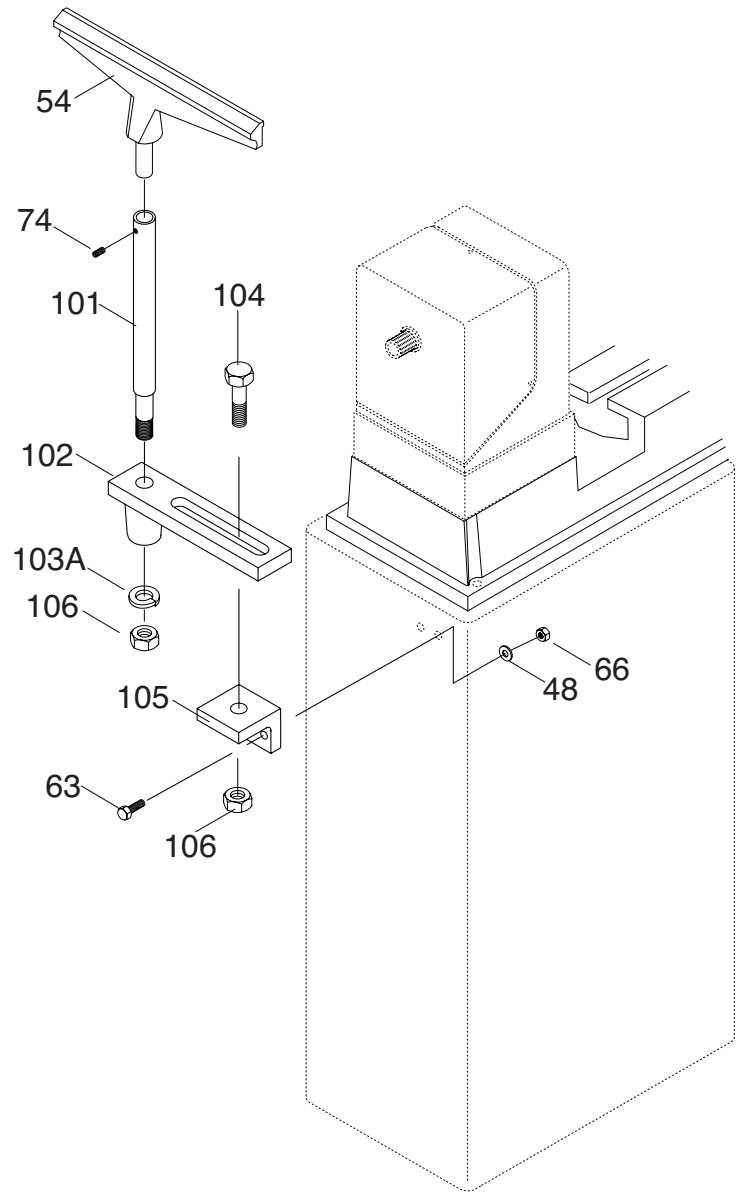
G1495 WIRE DIAGRAM







G1495 Heavy-Duty Wood Lathe



REF	PART #	DESCRIPTION
01	P1495001	BASE
02	P1495002	HEAD STOCK
03A	P6205	BALL BEARING 6205
05	P1495005	SPINDLE
06	P6205	BALL BEARING 6205
07	PK18M	KEY 4 x 4 x 82mm
08	P1495008	SHIFTING BRACKET
09	P6006	BALL BEARING 6006
10A	P1495010A	SPINDLE PULLEY
12	P1495012	SHIFTING ROD
13	P1495013	GEAR SHIFTING LEVER
14	P1495014	SHIFTING RING
17	P1495017	ADJ BLOCK
18A	PN05	HEX NUT 1/4"-20
20	P1495020	SPRING
21	P1495021	HEAD COVER
22	P1495022	FACE PLATE
23	P1495023	SPUR CENTER
24	P1495024	TAILSTOCK
25A	P1495025A	BARREL
26A	P1495026A	LEAD SCREW 5/8"-18 LH
28	P1495028	HAND WHEEL
29	PSS07	SET SCREW 1/4"-20 x 1/2"
30	P1495030	HANDLE
32	P1495032	ECCENTRIC ROD
33	P1495033	SPECIAL BOLT
34	P1495034	LOCK BLOCK
35	PN17	HEX NUT 3/4"-10
36	P1495036	LOCK HANDLE
36A	P1495036	LOCK HANDLE STOP PIN
37	G1807	LIVE CENTER
40	P1495040	SLIDING BRACKET
41	P1495041	MOUNTING PLATE
42	P1495042	KNOB
43	P1495043	GUARD
44	P1495044	FIXED PLATE
45	P1495045	MOUNTING BAR
46	P1495046	SLIDING BAR
48	PW07	FLAT WASHER 5/16"
49	PB30	HEX BOLT 5/16"-18 x 4 1/2"
50	P1495050	TOOL REST BODY
52	P1495051	ECCENTRIC ROD
53	PB13	HEX BOLT 1/4"-20 x 1 1/4"
54	P1174071	TOOL REST
55	P1495031	LOCKING LEVER
56	P1495056	LEFT STAND
57	P1495057	RIGHT STAND
58	P1495058	TOP SHELF
59	P1495059	BOTTOM SHELF
60	P1495060	DOOR LATCH
61	P1495061	RIGHT FLOOR MOUNT
61B	P1495061B	MIDDLE FLOOR MOUNT
62	P1495062	LEFT FLOOR MOUNT
63	PB03	HEX BOLT 5/16"-18 x 1"

REF	PART #	DESCRIPTION
64	P1495064	MOTOR
66	PN02	HEX NUT 5/16"-18
67	P1495067	KEY 4 x 4 x 86mm
68A	P1495068A	PULLEY SET
70	P1495070	SPRING
71	P1495071	SPECIAL WASHER
72	PR05M	EXT RETAINING RING 15mm
73	P1495073	SANDING DISC
74	PSS03	SET SCREW 1/4"-20 x 3/8"
75	PS06	PHLP HD SCR 10-24 x 3/8"
76	PWRCRD110L	POWER CORD 110V
76B	PWRCRDPLUG	POWER CORD W/ PLUG
76C	PWRCRDRECP	POWER CORD W/ RECP
77	P1495077	SWITCH
78	PSB11	CAP SCREW 5/16"-18 x 1 1/4"
79	PSB12	CAP SCREW 5/16"-18 x 2 1/2"
80A	PVM50	V-BELT M-50 3L500
83	P1495083	SPECIAL BOLT
84	P1495084	KNOB
85	P1495085	SPINDLE FIXING BLOCK
86	P1495086	SPINDLE
87	P1495087	WORK TABLE
88	P1495088	SUPPORT
89	PSS15	SET SCREW 3/8"-16 X 3/8"
90	P1495090	TILTING GAUGE
91	PW06	FLAT WASHER 1/4"
92	P1495092	LOCK KNOB
93	PS16	PHLP HD SCR 6-32 X 1 1/4"
94	P1495094	POINTER
95	P1495095	MITER BAR
96	P1495096	MITER BODY
97	P1036056	HANDLE
98	P1495098	LOCKING PIN
99	P1174101	DRUM ADAPTER
101	P1495101	OUTBOARD POST
102	P1495102	REST SUPPORT
103A	P1495103A	20MM LOCK WASHER
104	PB01	HEX BOLT 3/4"-10 X 2 1/2"
105	P1495105	OUTBOARD BRACKET
106	PN17	HEX NUT 3/4"-10
108	P1495108	MOTOR MOUNT PLATE
109	PB06	HEX BOLT 5/16"-18 x 2"
110	P1495110	POINTER
111	PS06	PHLP HD SCR 10-24 x 3/8"
112	PW06	FLAT WASHER 1/4"
113	PB19	HEX BOLT 1/4"-20 x 1/2"
114	P1495114	SPEED LABEL
115	P1495115	TABLE PIVOT
117	PSB04	CAP SCREW 1/4"-20 x 1/2"
118	PB06	HEX BOLT 5/16"-18 x 2"
119	PSS03	SET SCREW 1/4"-20 x 3/8"
120	P1495120	E-CLIP
121	PSB06	CAP SCREW 1/4"-20 x 1"
122	PSS05	SET SCREW 1/4"-20 x 3/8"

REF	PART #	DESCRIPTION
123	P1495123	EXT RETAINING RING 24mm
125	P1495125	FLAP SANDER ASSY
126	P1495126	SANDING DRUM ASSY
127	P1495127	SAND PAPER SLEEVE