



FRAMING NAILER

MODEL G2420

PARTS LIST

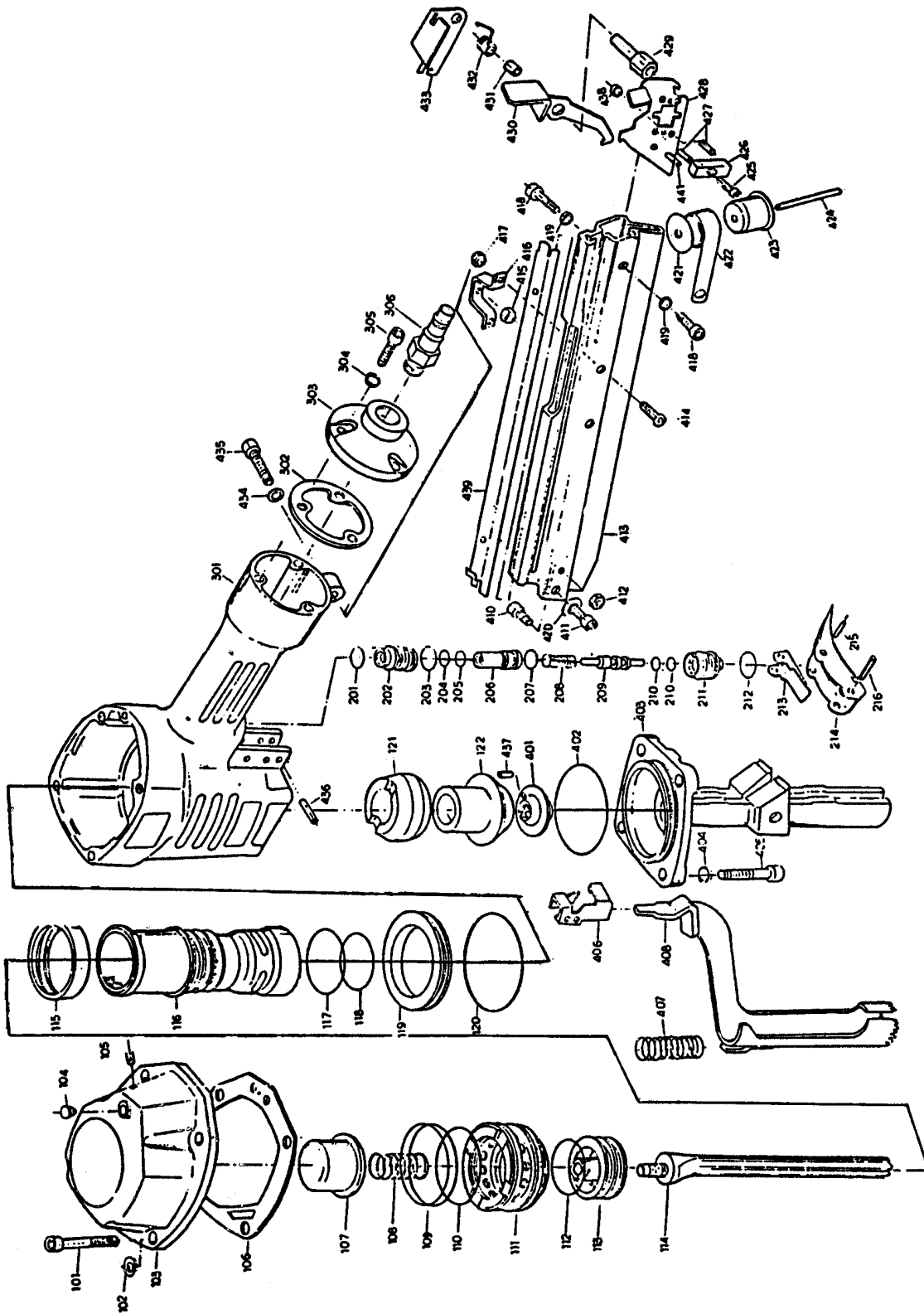


GRIZZLY IMPORTS, INC.

If you live East of the
Mississippi River, contact:
2406 Reach Road
Williamsport, PA 17701
Phone: (717) 326-3806

If you live West of the
Mississippi River, contact:
P.O. Box 2069
Bellingham, WA 98227-2069
Phone: (206) 647-0801

X. PARTS DIAGRAM



IX. PARTS LIST

Part No.	Description
101	Hex. Soc. Hd. Bolt
102	Lock Washer
103	Cylinder Cap Assembly
104	Grommet
105	Hex. Soc. Hd. Bolt
106	Cylinder Cap Gaslet
107	Piston Stop
108	Compression Spring
109	O-Ring
110	O-Ring
111	Head Valve Piston
112	O-Ring
113	Main Piston
114	Driver
115	Collar
116	Cylinder
117	O-Ring
118	O-Ring
119	Cylinder Ring
120	O-Ring
121	Bumper A
122	Bumper B
201	O-Ring
202	Valve
203	O-Ring
204	O-Ring
205	O-Ring
206	Valve Plunger
207	O-Ring
208	Spring
209	Plunger
210	O-Ring
211	Plunger Cap
212	O-Ring
213	Secondary Trigger
214	Primary Trigger
215	Spring Pin
216	Spring Pin
301	Body
302	Gasket
303	End Cap
304	Lock Washer

Part No.	Description
305	Hex. Soc. Hd. Bolt
306	Nipple
401	Driver Guide
402	O-Ring
403	Nose
404	Lock Washer
405	Hex. Soc. Hd. Bolt
406	Safety Guide
407	Spring
408	Safety Unit
410	Hex. Soc. Hd. Bolt
411	Hex. Soc. Hd. Bolt
412	Lock Nut
413	Magazine
414	Hex. Soc. Hd. Bolt
415	Lock Nut
416	Mounting Bracket
417	Lock Nut
418	Hex. Soc. Hd. Bolt
419	Lock Washer
420	Flat Washer
421	Flat Washer
422	Spring
423	Spool
424	Rolled Pin
425	Hex. Soc. Hd. Bolt
426	Pusher Bearing
427	Roller Pin
428	Pusher
429	Magazine Spacer
430	Latch
431	Latch Spring Bushing
432	Latch Spring
433	Latch Stop
434	Flat Washer
435	Hex. Soc. Hd. Bolt
436	Rolled Pin
437	Rolled Pin
438	Lock Nut
439	Steel Channel
441	Rolled Pin