

Grizzly *Industrial, Inc.*®

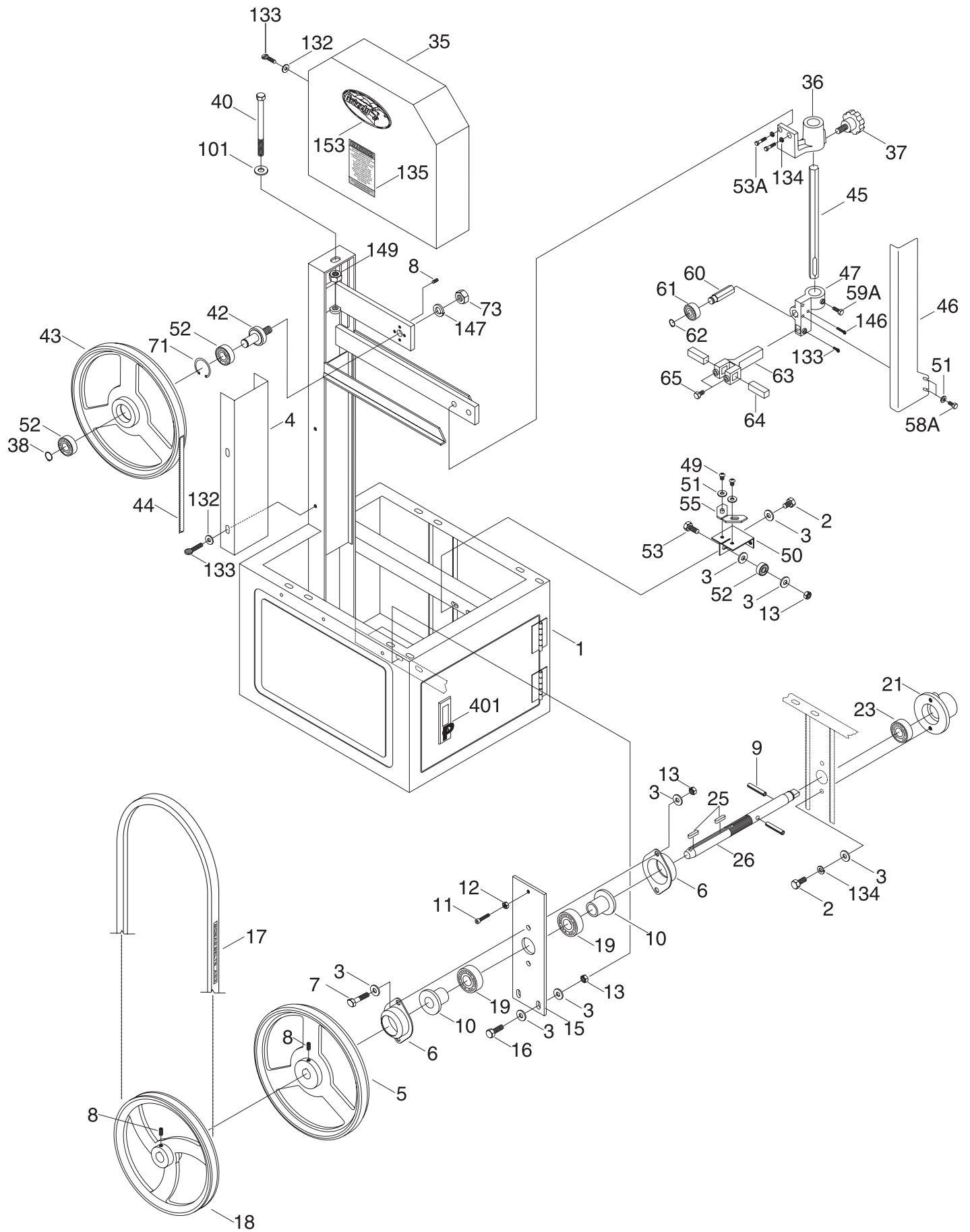
MEATCUTTING BANDSAW WITH SLIDING TABLE MODEL G5787 PARTS LIST



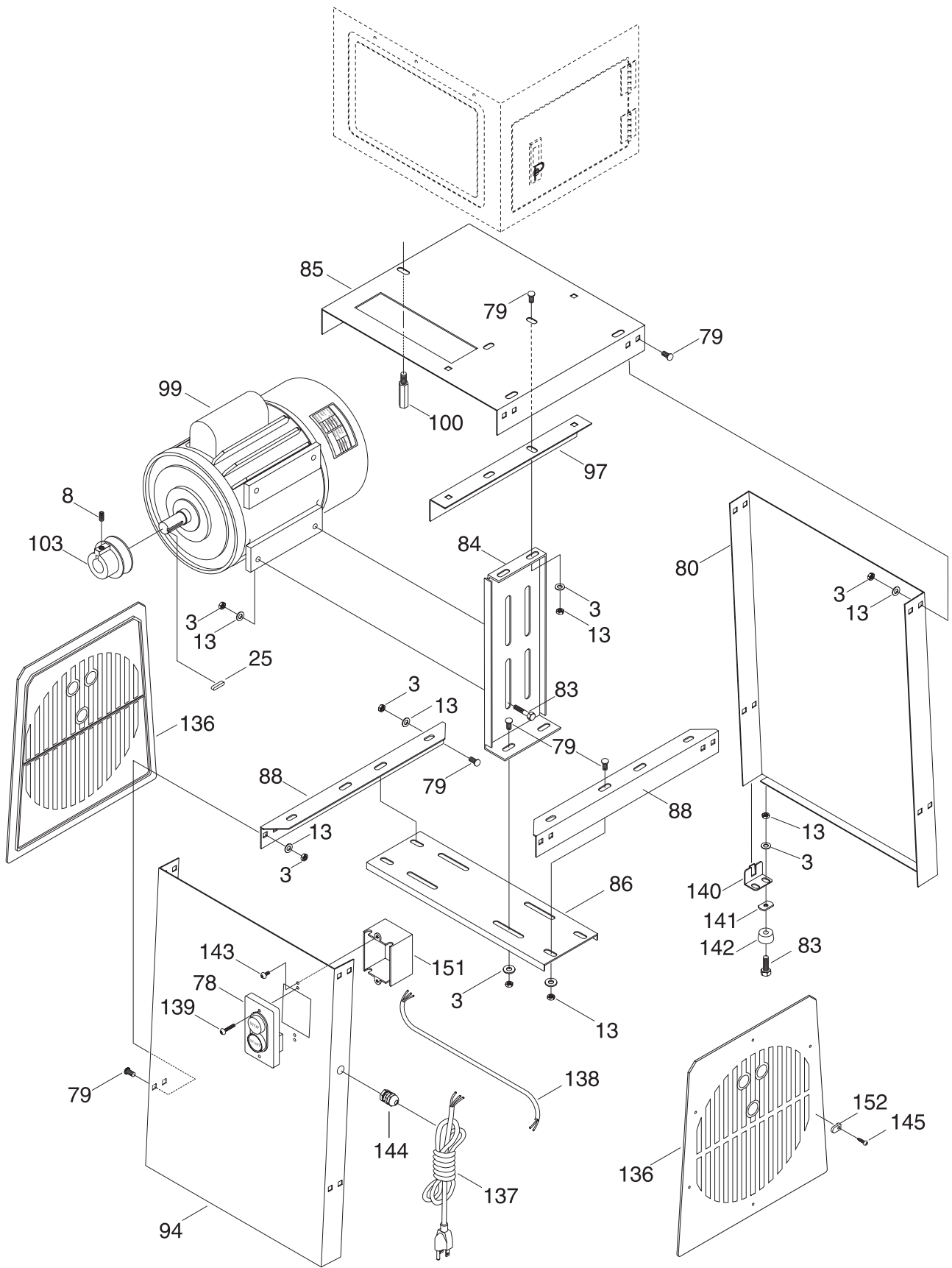
COPYRIGHT © NOVEMBER, 2001 BY GRIZZLY INDUSTRIAL, INC.
**WARNING: NO PORTION OF THIS MANUAL MAY BE REPRODUCED IN ANY SHAPE
OR FORM WITHOUT THE WRITTEN APPROVAL OF GRIZZLY INDUSTRIAL, INC.
PRINTED IN TAIWAN**

PARTS LIST DISCLAIMER

THIS PARTS LIST AND DRAWINGS REPRESENT THE CONFIGURATION OF THE MACHINE AS IT IS CURRENTLY BEING SHIPPED. THE MACHINE CONFIGURATION CAN CHANGE AS PRODUCT IMPROVEMENTS ARE INCORPORATED. IF YOU OWN AN EARLIER VERSION OF THE MACHINE, THIS PARTS LIST MAY NOT DEPICT YOUR MACHINE EXACTLY. CONTACT CUSTOMER SERVICE IF YOU HAVE ANY QUESTIONS ABOUT PART DIFFERENCES. PREVIOUS PARTS LIST VERSIONS ARE NOT AVAILABLE ONLINE.



G5787 Meatcutting Bandsaw



REF	PART #	DESCRIPTION
01	P5787001	CABINET BODY
02	PB09	HEX BOLT 5/16"-18 X 1/2"
03	PW07	FLAT WASHER 5/16"
04	P5787004	COVER
05	P5787005	LOWER BLADE WHEEL
06	P5787006	BEARING SEAT
07	PSB03	HEX SCREW 5/16" X 1"
08	PSS04M	SETSCREW M6-1.0 X 12
09	P5787009	PIN 4 X 30
10	P5787010	BUSHING
11	PSB08M	CAP SCREW M4-.7 X 13
12	PN01M	HEX NUT M6-1.0
13	PN02	HEX NUT 5/16"-18
15	P5787015	LOWER WHEEL SHAFT
16	PSB03	HEX SCREW 5/16" X 1"
17	PVA42	V-BELT A-42
18	P5787018	PULLEY 9"
19	P6005	BALL BEARING 6005ZZ
21	P5787021	BRACKET
22	P5787022	CHARGING HOPPER
23	P6203	BALL BEARING 6203ZZ
25	PK23M	KEY 5 X5 X 25
26	P5787026	SHAFT
27	P5787027	ROD SET SCREW 5/16"
30	P5787030	SHAFT THRUST
31	P5787031	BUSHING
32	P5787032	REAMER
33	P5787033	FILTER COVER 4.5MM
33A	P5787033A	FILTER COVER 8MM
33B	P5787033B	FILTER COVER 12MM
34	P5787034	LOCK COVER
35	P5787035	TOP WHEEL COVER
36	P5787036	SLEEVE
37	P5787037	LOCK KNOB 3/8"
38	PR02M	EXT RETAIN RING 14MM
40	P5787040	REGULATING SCREW
41	P5787001	(INCLUDED WITH CABINET)
42	P5787042	SHAFT
43	P5787043	UPPER BLADE WHEEL
44	P1098	BLADE

REF	PART #	DESCRIPTION
45	P5787045	GUIDE POST
46	P5787046	SAW GUARD
47	P5787047	BRACKET POST
48	P5787048	FENCE/SLICE GAUGE
49	PS07	PHLP SCREW 1/4"-20 X 3/8"
50	P5787050	LOWER GUIDE MOUNT
51	PW06	FLAT WASHER 1/4"
52	P608	BEARING 608ZZ
53A	PB09	HEX BOLT 5/16"-18 X 1/2"
54	PW07	FLAT WASHER 5/16"
55	P5787055	CLAMPING LUGE
56	P5787056	TABLE
57	PB19	HEX BOLT 1/4"-20 X 1/2"
58A	PB51	HEX BOLT 1/4"-20 X 3/8"
59A	PB05	HEX BOLT 1/4"-20 X 3/4"
60	P5787060	SPACING SLEEVE
61	P6200	BALL BEARING 6200
62	PR01M	EXT RETAIN RING 10MM
63	P5787063	BLADE GUIDE HOLDER
64	P5787064	BLADE GUIDE BLOCK
65	PSB17	CAP SCREW 1/4"-20 X 3/8"
71	P5787071	RETAINING RING R34
73	PN01	HEX NUT 1/2"-20
74	P5787074	CONNECTOR
75	P5787075	STAND TOP
78	P1019090A	SWITCH
79	PCB02	CARRGE BOLT 5/16"-18 X 1/2"
80	P5787080	REAR STAND PLATE
83	PB03	HEX BOLT 5/16"-18 X 1"
84	P5787084	MOTOR MOUNT PLATE
86	P5787086	MOUNTING PLATE
88	P5787088	LOWER BRACE BRACKET
94	P5787094	FRONT STAND PLATE
97	P5787097	UPPER BRACE BRACKET
99	P5787099	MOTOR
100	P5787100	MOUNT BOLT 3/8"-16 x 3"
101	PW02	HEX NUT 5/16"-18
103	P5787103	MOTOR PULLEY
104	P5787056	(INCLUDED WITH TABLE)
105	P5787105	FORCE PLATE

REF	PART #	DESCRIPTION
106	P5787106	HEX GUIDE RAIL
107	P5787056	(INCLUDED WITH TABLE)
108	P5787108	GUARD COVER
109	PSB05	CAP SCREW 1/4"-20 X 3/4"
112	PW06	FLAT WASHER 1/4"
113	PN05	HEX NUT 1/4"-20
114	P5787114	S-8 SPRING
115	P5787115	PUSHER
117	P5787117	SUPPORTER
118	P5787118	STAND ROD 7"
120	P5787120	STAND ROD 10"
121	P5787122	R-22 SPRING
124	P5787056	(INCLUDED WITH TABLE)
125	P5787125	KNOB SCREW
126	PB05	HEX BOLT 1/4"-20 X 3/4"
127	P5787056	(INCLUDED WITH TABLE)
128	P5787128	PLASTIC PESTLE
132	PW06	FLAT WASHER 1/4"
133	P5787133	THUMBSCREW 1/4" X 1/2"
134	PLW01	LOCK WASHER

REF	PART #	DESCRIPTION
135	P5787135	SAFETY WARNING LABEL
136	P5787136	SIDE PLATES
137	P5787137	CORD
138	P5787138	CORD
139	PS03	PHLP HD SCRW 10-24 X 3/8"
140	P5787140	MOUNT BRACKET
141	P5787141	KEEPER
142	P5787142	RUBBER FOOT
143	PS06	PHLP HD SCRW 10-24 X 1"
144	P5787144	STRAIN RELIEF
145	P5787145	SCREW
146	P5787146	THUMBSCREW 1/4"-20 X 3/4"
147	PLW07	LOCK WASHER 1/2"
148	PSS05M	SETSCREW M5-0.8 X 10
149	PN11	HEX NUT 3/8"
150	PLW	LOCK WASHER
151	P5787151	ELECTRICAL BOX
152	P5787152	CATCH
153	PLABEL-6	LOGO PLATE
401	P5787401	LOCK HANDLE UNIT