

# READ THIS FIRST



**Models G0544/G5850Z/  
G5851Z/G7213Z**

**\*\*\*IMPORTANT UPDATE\*\*\***

**For Machines Mfd. Since 12/16  
and Owner's Manual Revised 03/06**

*For questions or help with this product contact Tech Support at (570) 546-9663 or [techsupport@grizzly.com](mailto:techsupport@grizzly.com)*

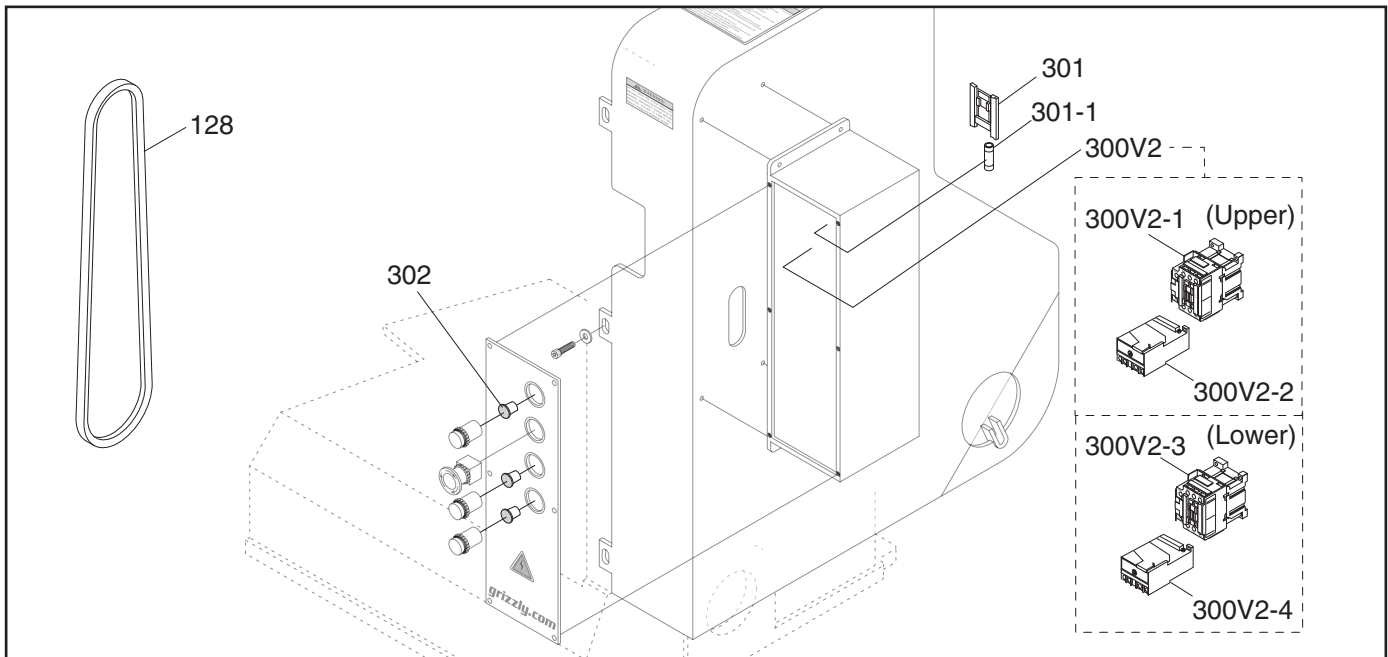
The following changes were recently made to this machine since the owner's manual was printed:

- Updated electrical component information and parts list.
- Updated wiring diagram.
- Updated belt size.

Aside from this information, all other content in the owner's manual applies and MUST be read and understood for your own safety. **IMPORTANT: Keep this update with the owner's manual for future reference.**

*For questions or help, contact our Tech Support at (570) 546-9663 or [techsupport@grizzly.com](mailto:techsupport@grizzly.com).*

## Revised G0544, G5850Z & G5851Z Breakdown & Parts List



REF	PART #	DESCRIPTION
128	P5851Z128	BELT A64
300V2	P5850Z300V2	MAG SWITCH ASSY V2.12.16
300V2-1	P5850Z300V2-1	CONTACTOR RIKEN RAB-A18 220V
300V2-2	P5850Z300V2-2	OL RELAY RIKEN BTH-18T-2H18 12-18A
300V2-3	P5850Z300V2-3	CONTACTOR RIEKN RAB-A35 220V

REF	PART #	DESCRIPTION
300V2-4	P5850Z300V2-4	OL RELAY RIKEN BTH-352H3624-36A
301	P5850Z301	FUSE HOLDER
301-1	P5850Z301-1	FUSE 2A
302	P5850Z180	INDICATOR LIGHT (220V)

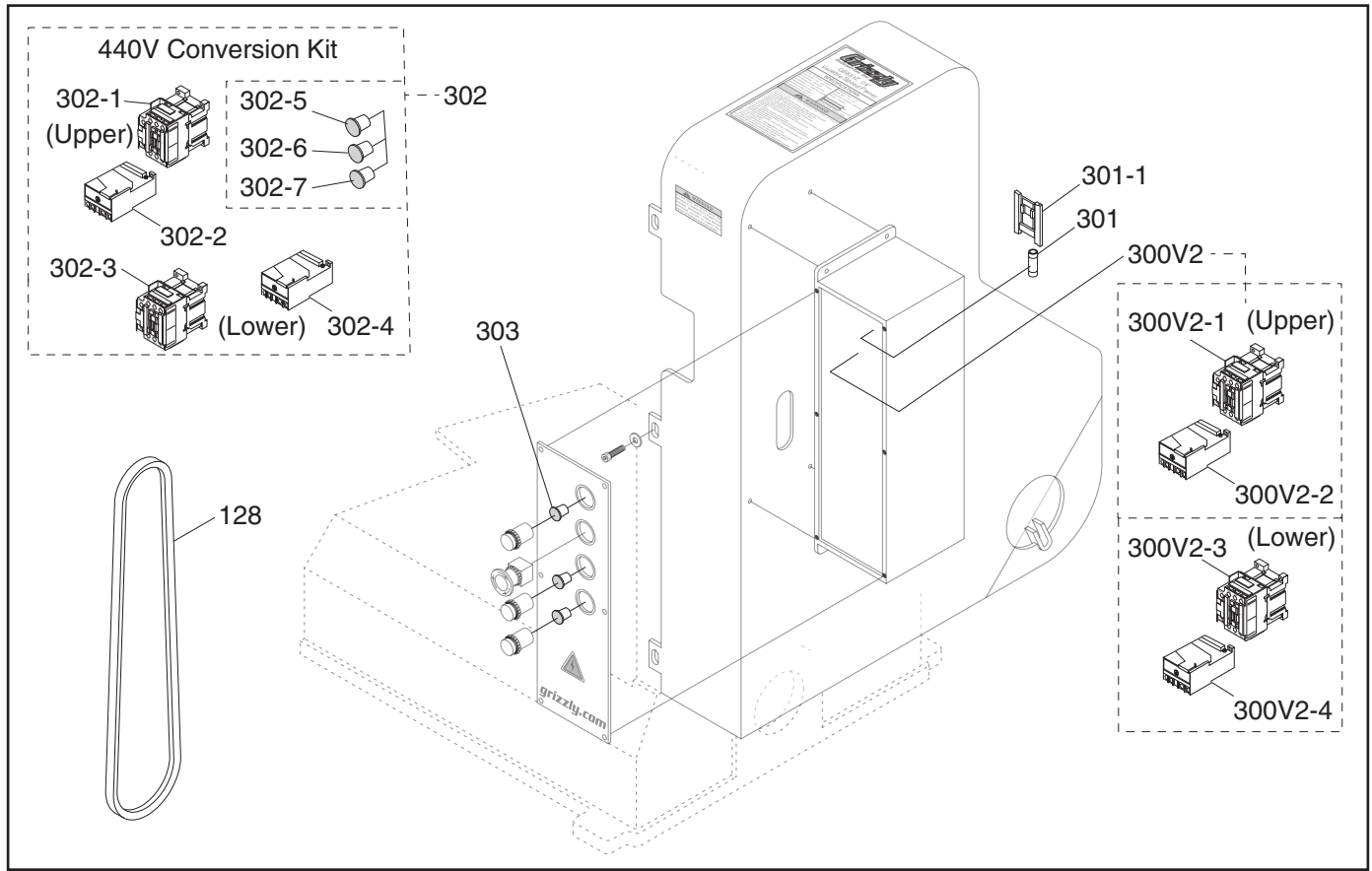
COPYRIGHT © MARCH, 2017 BY GRIZZLY INDUSTRIAL, INC.

**WARNING: NO PORTION OF THIS MANUAL MAY BE REPRODUCED IN ANY SHAPE  
OR FORM WITHOUT THE WRITTEN APPROVAL OF GRIZZLY INDUSTRIAL, INC.**

#JH14254 PRINTED IN TAIWAN

V1.07.17

# Revised G7213Z Breakdown & Parts List



REF	PART #	DESCRIPTION
128	P7213Z128	BELT A64
300V2	P7213Z300V2	MAGNETIC SWITCH ASSY 3-PH V2.12.16
300V2-1	P7213Z300V2-1	CONTACTOR RIKEN RAB-A12 220V V2.12.16
300V2-2	P7213Z300V2-2	OL RELAY RIKEN BTH-18T 2H8 5.4-8A V2.12.16
300V2-3	P7213Z300V2-3	CONTACTOR RIKEN RAB-A30 220V V2.12.16
300V2-4	P7213Z300V2-4	OL RELAY RIKEN BTH-35 2H26 18-26A V2.12.16
301	P7213Z301	FUSE 2A
301-1	P7213Z301-1	FUSE HOLDER
302	P7213Z302	440V CONVERSION KIT

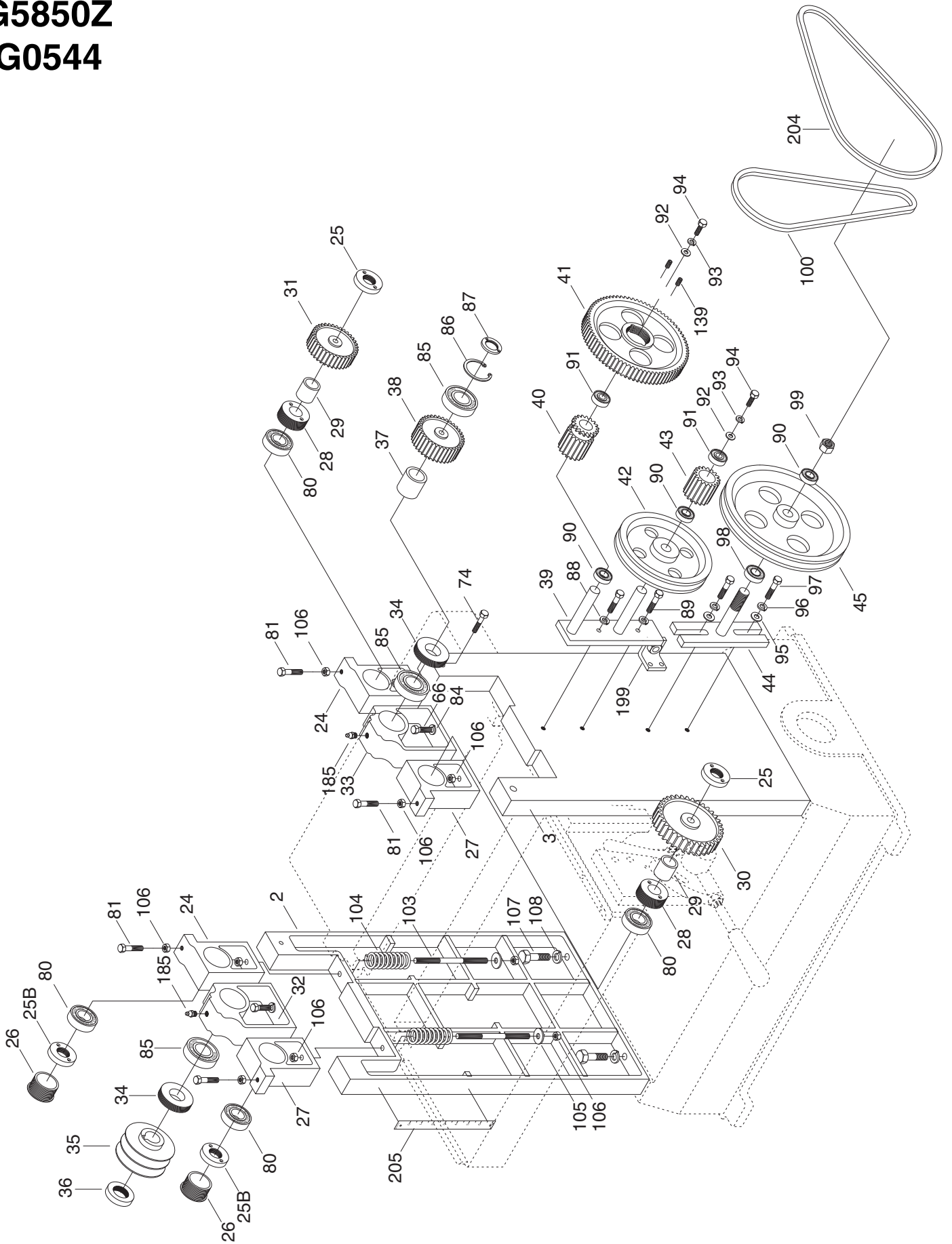
REF	PART #	DESCRIPTION
302-1	P7213Z302-1	CONTACTOR RIKEN RAB-A12 440V
302-2	P7213Z302-2	OL RELAY RIKEN BTH-18T2H4.3 2.9-4.3A
302-3	P7213Z302-3	CONTACTOR RIKEN RAB-A18 440V
302-4	P7213Z302-4	OL RELAY RIKEN BTH-18T2H18 12-18A
302-5	P7213Z302-5	POWER FEED BULB (440V)
302-6	P7213Z302-6	MAIN MOTOR BULB (440V)
302-7	P7213Z302-7	FEED MOTOR BULB (440V)
303	P7213Z303	INDICATOR BULB (220V)



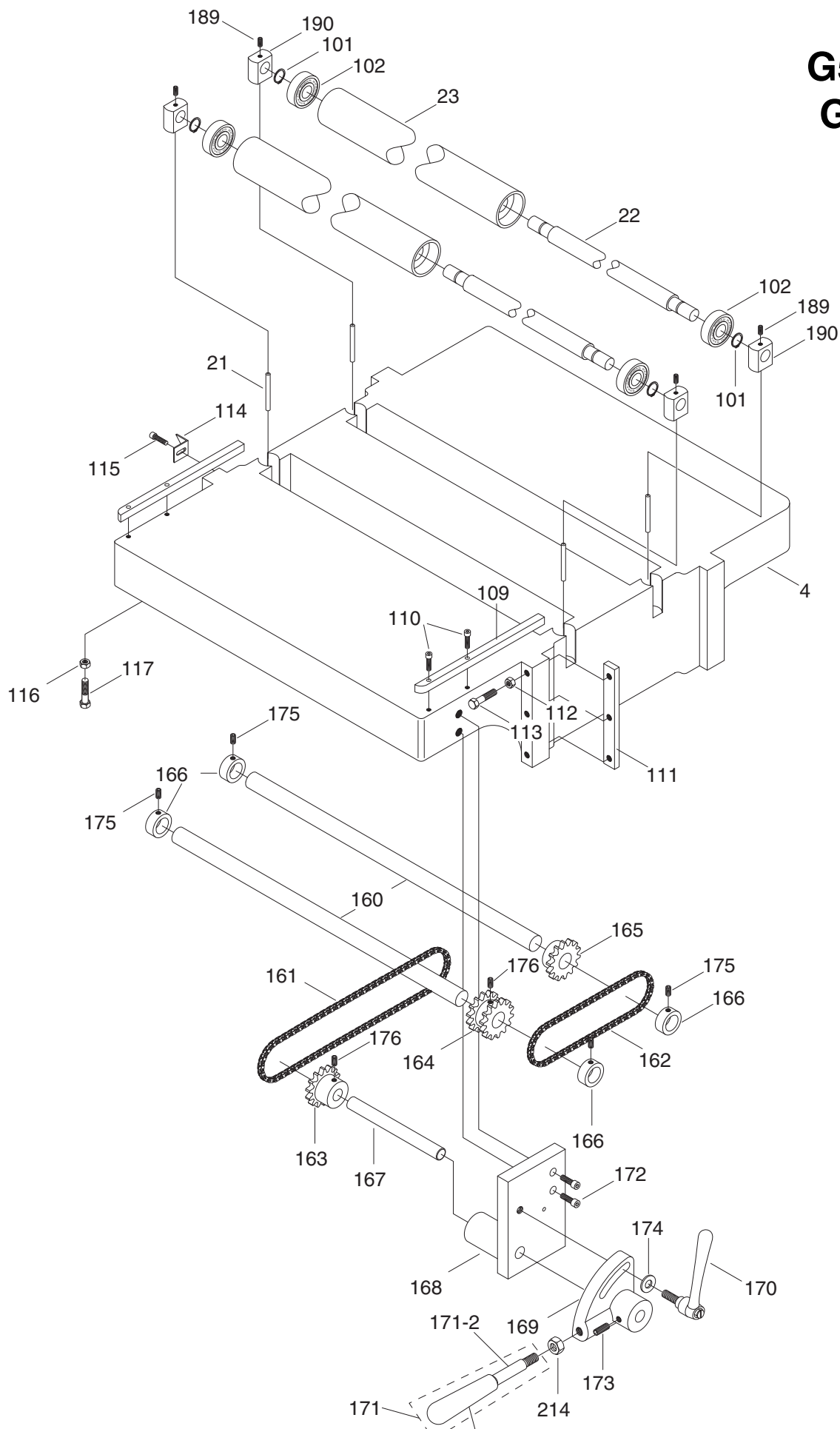




# G5850Z G0544



# G5850Z G0544



# G5850Z/G0544

REF	PART #	DESCRIPTION
1	P5850Z001	BASE
2	P5850Z002	COLUMN
3	P5850Z003	COLUMN
4	P5850Z004	TABLE
5	P5850Z005	GEAR SHAFT
6	P5850Z006	BEVEL GEAR 14T
7	P5850Z007	BEVEL GEAR 24T
8	P5850Z008	END BRACKET
10	P5850Z010	BEVEL GEAR 24T
11	P5850Z011	BEVEL GEAR 13T
12	P5850Z012	BEVEL GEAR HOUSING
13	P5850Z013	HANDWHEEL SHAFT
14	P5850Z014	SHAFT RING
15	P5850Z015	BEARING HOUSING
16	P5850Z016	ELEVATING SCR 1-6 X 17-1/2"
17	P5850Z017	ELEVATING SCR BRACKET LH
18	P5850Z018	ELEVATING SCR 1-6 X 17-1/2"
19	P5850Z019	ELVTNG SCR ADJ M36-2.0
20	P5850Z020	ELEVATING SCR BRACKET RH
21	P5850Z021	TABLE ROLLER ADJ PIN
22	P5850Z022	TABLE ROLLER SHAFT
23	P5850Z023	TABLE ROLLER
24	P5850Z024	OUTFEED ROLLER MOUNT
25	P5850Z025	BEARING LOCKING RING RH
25B	P5850Z025B	BEARING LOCKING RING LH
26	P5850Z026	THREADED CAP
27	P5850Z027	INFEED ROLLER MOUNT
28	P5850Z028	BEARING LOCKING RING
29	P5850Z029	SPACER
30	P5850Z030	INFEED GEAR 38T
31	P5850Z031	OUTFEED GEAR 26T
32	P5850Z032	CUTTERHEAD MOUNT LH
33	P5850Z033	CUTTERHEAD MOUNT RH
34	P5850Z034	BEARING LOCKING RING
35	P5850Z035	PULLEY 2-3/4"
36	P5850Z036	NUT M30-1.5 LH
37	P5850Z037	SPACER
38	P5850Z038	CUTTERHEAD GEAR 25T
39	P5850Z039	ADJUSTING BRACKET
40	P5850Z040	GEAR 14T
41	P5850Z041	GEAR 76T
42	P5850Z042	PULLEY 7"
43	P5850Z043	GEAR 18T
44	P5850Z044	ADJUSTING BRACKET
45	P5850Z045	PULLEY 10"
46	P5850Z046	SAFETY FENDER
47	P5850Z047	LOCK COLLAR LH
48	P5850Z048	INFEED ROLLER SOLID SLEEVE
50	P5850Z050	LOCK COLLAR RH
51	P0544051	SPIRAL CUTTERHEAD
51	P5850Z051	CUTTERHEAD 20" 4 KNIFE
51-1	P0544051-1	INDEXABLE CARBIDE INSERTS 10PK
51-1	P5850Z051	FLAT HEAD SCREW M6-1 X 16
51-2	P0544051-2	FLAT HEAD TORX SCREW T20 M6-1 X15
52	P5850Z052	PRESSURE BAR BRACKET
53	P5850Z053	PRESSURE BAR

REF	PART #	DESCRIPTION
54	P5850Z054	PRESSURE SPRING LEFT
55	P5850Z055	PRESSURE SPRING RIGHT
56	P5850Z056	OUTFEED ROLLER
57	P5850Z057	COVER HINGE BRACKET LH
58	P5850Z058	COVER SIDE PLATE LH
59	P5850Z059	CHIPBREAKER SHAFT
60	P5850Z060	CHIPBREAKER
61	P5850Z061	CHIPBREAKER SPRING
62	P5850Z062	COVER SIDE PLATE RH
63	P5850Z063	RETURN ROLLERS
64-1	P5850Z064-1	GIB W/O GIB BOLTS
64-2	P5850Z064-2	GIB BOLT
65	P5850Z065	KNIFE 4PC 20"
66	P5850Z066	HEX BOLT 3/8"-16 X 1-1/4"
67	P5850Z067	LOCK WASHER 3/8"
68	P5850Z068	HEX BOLT 3/8"-16 X 2"
69	P5850Z069	HEX NUT 3/8"-16
70	P5850Z070	HEX BOLT 1/4"-20 X 5/8"
71	P5850Z071	LOCK WASHER 1/4"
72	P5850Z072	ACORN NUT 1/2"-12
73	P5850Z073	HEX BOLT 5/16"-18 X 1"
74	P5850Z074	HEX BOLT 5/16"-18 X 5/8"
75	P5850Z075	KEY 1/4" X 1/4" X 3/4"
76	P5850Z076	HEX BOLT 5/16"-18 X 5/8"
77	P5850Z077	LOCK WASHER 5/16"
79	P5850Z079	KEY 1/4" X 1/4" X 3/4"
80	P5850Z080	BALL BEARING 6205ZZ
81	P5850Z081	HEX BOLT 3/8"-16 X 13/4"
84	P5850Z084	LOCK WASHER 3/8"
85	P5850Z085	BALL BEARING 6206RS
86	P5850Z086	INT RETAINING RING 27MM
87	P5850Z087	LOCKING RING 15/16-16 RH
88	P5850Z088	LOCK WASHER 3/8"
89	P5850Z089	HEX BOLT 3/8"-16 X 1"
90	P5850Z090	BALL BEARING 6002ZZ
91	P5850Z091	BALL BEARING 6201ZZ
92	P5850Z092	FLAT WASHER 5/16"
93	P5850Z093	LOCK WASHER 5/16"
94	P5850Z094	HEX BOLT 5/16"-18 X 3/8"
95	P5850Z095	FLAT WASHER 3/8"
96	P5850Z096	LOCK WASHER 3/8"
97	P5850Z097	HEX BOLT 3/8"-16 X 1"
98	P5850Z098	BALL BEARING 6003ZZ
99	P5850Z099	HEX NUT 5/8"-11
100	P5850Z100	V-BELT A32
101	P5850Z101	EXT RETAINING RING 19MM
102	P5850Z102	BALL BEARING 6304ZZ
103	P5850Z103	STUD-UDE 3/8-16 X 6-3/16 1-1/8RH 1-7/8RH
104	P5850Z104	COMPRESSION SPRING
105	P5850Z105	FLAT WASHER 3/8"
106	P5850Z106	HEX NUT 3/8"-16
107	P5850Z107	HEX BOLT 1/2"-12 X 1-1/2"
108	P5850Z108	LOCK WASHER 1/2"
109	P5850Z109	TABLE EDGE GUIDE
110	P5850Z110	CAP SCREW 1/4-20 X 1/2

# G5850Z/G0544

REF	PART #	DESCRIPTION
111	P5850Z111	TABLE GIB
112	P5850Z112	HEX NUT 3/8"-16
113	P5850Z113	HEX BOLT 3/8"-16 X 1-3/4"
114	P5850Z114	SCALE POINTER
115	P5850Z115	CAP SCREW 1/4"-20 X 3/8
116	P5850Z116	HEX NUT 3/8"-16
117	P5850Z117	HEX BOLT 3/8"-16 X 2"
119	P5850Z119	HEX BOLT 5/16"-18 X 1-1/4"
120	P5850Z120	LOCK WASHER 5/16"
121	P5850Z121	HEX BOLT 5/16"-18 X 1"
122	P5850Z122	DUST BOOT
123	P5850Z123	THRUST BEARING 2904
124	P5850Z124	HEX BOLT 5/16"-18 X 1"
125	P5850Z125	LOCK WASHER 5/16"
126	P5850Z126	MOTOR 5HP 220V 1PH
127	P5850Z127	PULLEY
128	P5850Z128	V-BELT A60
129	P5850Z129	GUARD LEFT
131	P5850Z131	HEX BOLT 3/8"-16 X 1-1/2"
132	P5850Z132	FLAT WASHER 3/8"
133	P5850Z133	LOCK WASHER 3/8"
134	P5850Z134	HEX NUT 3/8"-16
135	P5850Z135	MOTOR ADJUSTMENT BRACKET
136	P5850Z136	HEX NUT 3/8"-16
137	P5850Z137	HEX BOLT 5/16"-18 X 1"
138	P5850Z138	LOCK WASHER 5/16"
139	P5850Z139	SET SCREW 1/4"-20 X 3/8"
140	P5850Z140	SET SCREW 5/16"-18 X 3/8"
142	P5850Z142	FLAT WASHER 1/2"
143	P5850Z143	LOCK WASHER 5/16"
144	P5850Z144	HEX BOLT 5/16"-18 X 1"
145	P5850Z145	ACORN NUT 1/2"-12
146	P5850Z146	HANDWHEEL
147	P5850Z147	MOVEABLE HANDLE
148	P5850Z148	LOCK WASHER 5/16"
149	P5850Z149	HEX BOLT 5/16"-18 X 1"
150	P5850Z150	GUARD RIGHT
151	P5850Z151	FLAT WASHER 1/4"
152	P5850Z152	CAP SCREW 1/4"-20 X 1/2
153	P5850Z153	CONTROL CASE
154	P5850Z154	MOTOR SUPPORT
155	P5850Z155	MOUNTING BRACKET LH/RH
156	P5850Z156	SHAFT
157	P5850Z157	FIXED SHAFT
158	P5850Z158	SPACER
159	P5850Z159	ANTI KICKBACK TOOTH
160	P5850Z160	CHAIN SHAFT
161	P5850Z161	CHAIN 1/2" X 26"
162	P5850Z162	CHAIN 1/2" X 21-1/2"
163	P5850Z163	SPROCKET 14T
164	P5850Z164	DOUBLE SPROCKET 14T
165	P5850Z165	SPROCKET 14T
166	P5850Z166	COLLAR
167	P5850Z167	SHAFT
168	P5850Z168	HUB MOUNTING PLATE

REF	PART #	DESCRIPTION
169	P5850Z169	ARC HUB
170	P5850Z170	LOCK HANDLE 1/2-12
171	P5850Z171	HANDLE ASSEMBLY 1/2-12
172	P5850Z172	CAP SCREW 5/16"-18 X 1
173	P5850Z173	SET SCREW 3/8"-16 X 3/8"
174	P5850Z174	FLAT WASHER 1/2"
175	P5850Z175	SET SCREW 5/16"-18 X 3/8"
176	P5850Z176	SET SCREW 5/16"-18 X 1/4"
177	P5850Z177	FEED MOTOR 2HP 220V 1PH
178	P5850Z178	VARIABLE SPEED CONTROLLER V1
179	P5850Z179	CONTROL PANEL
180	P5850Z180	POWER INDICATOR LIGHT
181	P5850Z181	EMERGENCY STOP SWITCH
182	P5850Z182	CUTTERHEAD MOTOR ON BUTTON
183	P5850Z183	GRIZZLY NAME PLATE
184	P5850Z184	MACHINE ID LABEL
185	P5850Z185	GREASE FITTING
186	P5850Z186	DO NOT OPEN WARNING
187	P5850Z187	SAFETY GLASSES LABEL
188	P5850Z188	READ MANUAL LABEL
189	P5850Z189	SET SCREW 1/4"-20 X 1/4"
190	P5850Z190	BED ROLLER BASE
191	P5850Z191	DUST HOOD
192	P5850Z192	CHIPBREAKER SIDE PLATE
193	P5850Z193	HEX NUT 1/2"-12
194	P5850Z194	HEX BOLT 1/2"-12 X 4"
195	P5850Z195	POWER FEED ON BUTTON
197	P5850Z197	SUPPORT SHAFT
198	P5850Z198	COVER
199	P5850Z199	MOTOR ADJUSTMENT BRACKET
200	P5850Z200	KEY 8 X 10 X 64
201	P5850Z201	FLAT WASHER 3/8"
202	P5850Z202	HEX BOLT 3/8-16 X 6
203	P5850Z203	COMPRESSION SPRING
204	P5850Z204	V-BELT A46
205	P5850Z205	DEPTH GAUGE
206	P5850Z206	KNIFE GAUGE ASSEMBLY
207	P5850Z207	WRENCH 17 X 19MM OPEN ENDS
208	P5850Z208	WRENCH 12 X 14MM OPEN ENDS
209	P5850Z209	WRENCH 8 X 10MM OPEN ENDS
210	P5850Z210	HEX WRENCH 4MM
211	P5850Z211	*DISCD*LOCKING NUT
212	P5850Z212	*DISCD*SPACER
213	P5850Z213	HEX BOLT 3/8-16 X 6
214	P5850Z214	HEX NUT 1/2"-12
300	P5850Z300	MAG SWITCH ASSY
300-1	P5850Z300-1	CONTACTOR RAB-18T10 RIKEN
300-2	P5850Z300-2	HEATER FEED MOTOR BTH18T2H18 12/18A
300-3	P5850Z300-3	CONTACTOR RAB-35T10
300-4	P5850Z300-4	HEATER CUTTERHEAD BTH352H36 24/36A RIKEN
301	P5850Z301	FUSE HOLDER
301-1	P5850Z301-1	FUSE 2A
402	P0544402	T-20 TORX BIT
403	P0544403	T-20 TORX DRIVER