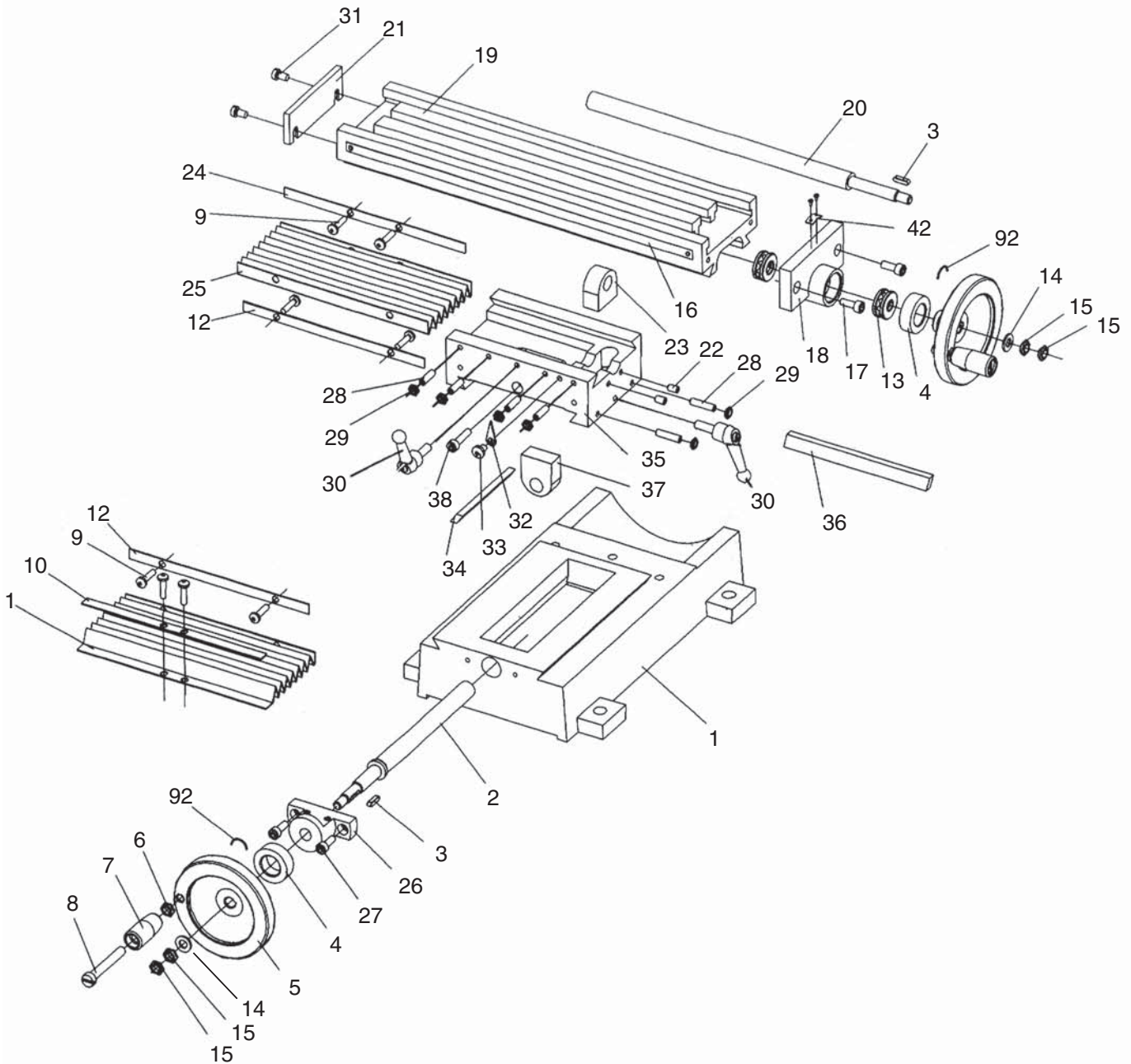


G8689 Table Assembly



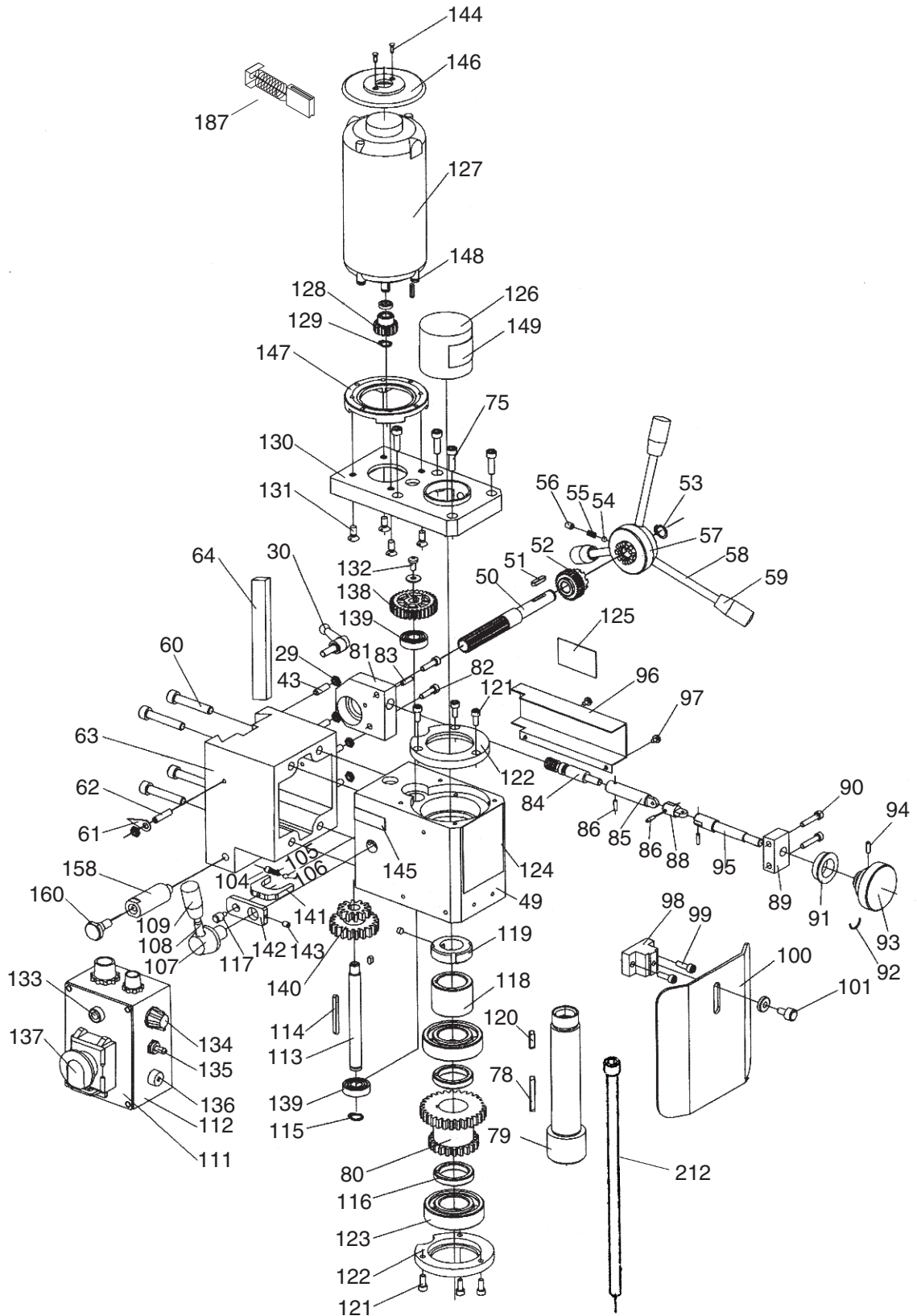
G8689 Parts List

REF	PART #	DESCRIPTION
1	P8689001	BASE
2	P8689002	X-AXIS FEEDING SCREW
3	PK37M	KEY 4 X 4 X 16
4	P8689004	DIAL
5	P8689005	HANDWHEEL
6	PN03M	HEX NUT M8-1.25
7	P8689007	HANDLE
8	P8689008	SHLDR SCR M8-1.25 X 55
9	PSB68M	CAP SCREW M6-1 X 8
10	P8689010	HOLDING PLATE
11	P8689011	DUST GUARD COVER
12	P8689012	HOLDING PLATE
13	P8689013	BALL BEARING 8200
14	P8689014	FLAT WASHER 8MM
15	PN03M	HEX NUT M8-1.25
16	P8689016	Y-AXIS SCALE
17	PSB01M	CAP SCREW M6-1 X 16
18	P8689018	Y-AXIS BEARING SEAT
19	P8689019	WORKING TABLE
20	P8689020	Y-AXIS FEED SCREW
21	P8689021	END COVER
22	PSS01M	SET SCREW M6-1 X 10
23	P8689023	Y-AXIS SCREW NUT
24	P8689024	HOLDING PLATE
25	P8689025	DUST GUARD COVER
26	P8689026	SCREW SEAT
27	PSB01M	CAP SCREW M6-1 X 16
28	PSS46M	SET SCREW M6-1 X 22
29	PN01M	HEX NUT M6-1
30	P8689030	LOCK HANDLE
31	PS68M	PHLP HD SCR M6-1 X 10
32	P8689032	POINTER
33	PS03M	PHLP HD SCR M6-1 X 8
34	P8689034	GIB
35	P8689035	SADDLE
36	P8689036	GIB
37	P8689037	X- AXIS SCREW NUT
38	PSB06M	CAP SCREW M6-1 X 25
39	P8689039	PIVOT PLATE
40	PLW06M	LOCK WASHER 10MM
41	PSB72M	CAP SCREW M10-1.5 X 30
42	P8689042	POINTER
43	PSS46M	SET SCREW M6-1 X 22
44	P8689044	SCALE
45	P8689045	GIB
46	P8689046	GEAR RACK
47	PFH02M	FLAT HD SCR M6-1 X 12

REF	PART #	DESCRIPTION
48	P8689048	COOLING FAN
49	P8689049	SPINDLE BOX
50	P8689050	PINION
51	PK30M	KEY 4 X 4 X 25
52	P8689052	BEVEL GEAR
56	PR03M	EXT RETAINING RING 12MM
54	P8689054	STEEL BALL 5MM
55	P8689055	COMPRESSION SPRING
56	PSS03M	SET SCREW M6-1 X 8
57	P8689057	HANDLE STOCK
58	P8689058	OPERATING LEVER
59	P8689059	LEVER CAP
60	PSB31M	CAP SCREW M8-1.25 X 25
61	P8689061	POINTER
62	PSS12M	SET SCREW M6-1 X 25
63	P8689063	SPINDLE BOX SEAT
64	P8689064	GIB
65	P8689065	LIMIT BLOCK
66	P8689066	GIB
67	P8689067	SCALE
68	P8689068	COLUMN
69	P8689069	ELECTRIC BOX
70	P8689070	LOCK NUT M24-3
71	P8689071	SPECIAL WASHER
72	P8689072	CONNECTING STRUT
75	PSB02M	CAP SCREW M6-1 X 20
78	PK02M	KEY 5 X 5 X 40
79	P8689079	SPINDLE
80	P8689080	TRANSMISSION GEAR
81	P8689081	SUPPORT BLOCK
82	PS06M	PHLP HD SCR M5-.8 X 20
83	P8689083	SOLID PIN 4 X 15
84	P8689084	WORM
85	P8689085	SLEEVE
86	PRP61M	ROLL PIN 3 X 12
88	P8689088	ADJUSTABLE UNION
89	P8689089	BRACKET
90	PS22M	PHLP HD SCR M5-.8 X 25
91	P8689091	DIAL
92	P8689092	FLAT SPRING
93	P8689093	SMALL HANDWHEEL
94	PSS34M	SET SCREW M5-.8 X 16
95	P8689095	SMALL SHAFT
96	P8689096	COVER
97	PS17M	PHLP HD SCR M4-.7 X 6
98	P8689098	DUST COVER SUPPORT
99	PSB24M	CAP SCREW M5-.8 X 16



G8689 Head Assembly



G8689 Parts List

REF	PART #	DESCRIPTION
100	P8689100	CHIP GUARD
101	P8689101	KNURLED SCREW M6-1 X 12
102	P8689102	SPACER
103	PSB01M	CAP SCREW M6-1 X 16
104	PSS02M	SET SCREW M6-1 X 6
105	P8689105	COMPRESSION SPRING
106	P8689106	STEEL BALL 5MM
107	P8689107	HANDLE SEAT
108	P8689108	OPERATING LEVER
109	P8689109	HANDLE
110	PLABEL-14	ELECTRICITY LABEL
111	P8689111	CONTROLLER
112	P8689112	LABEL ON CONTROLLER
113	P8689113	SHAFT
114	PK71M	KEY 4 X 4 X 45
115	PR49M	INT RETAINING RING 12MM
116	P8689116	SPACING RING
117	P8689117	SMALL SHAFT
118	P8689118	SPACING RING
119	P8689119	SPINDLE NUT
120	PK12M	KEY 5 X 5 X 30
121	PSB03M	CAP SCREW M5-.8 X 8
122	P8689122	BEARING COVER
123	P8689123	BALL BEARING 80206
124	P8689124	MACHINE ID LABEL
125	P8689125	FINE FEED LABEL
126	P8689126	PROTECTING COVER
127	P8689127	MOTOR
128	P8689128	MOTOR GEAR
129	PR45M	INT RETAINING RING 10MM
130	P8689130	MOTOR SEAT
131	PFH02M	FLAT HD SCR M6-1 X 12
132	PS05M	PHLP HD SCR M5-.8 X 8
133	P8689133	LAMP
134	P8689134	SPEED CONTROL KNOB
135	P8689135	SWITCH
136	P8689136	FUSE BOX
137	P8689137	EMERGENCY STOP SWITCH
138	P8689138	GEAR
139	P8689139	BALL BEARING 80101
140	P8689140	TRANSMISSION GEAR
141	P8689141	BAR
142	P8689142	LINKING BOARD
143	PSS31M	SET SCREW M5-.8 X 8
144	P8689144	SELF TAP SCR ST2.9 X 8

REF	PART #	DESCRIPTION
145	P8689145	HIGH/LOW LABEL
146	P8689146	MOTOR COVER
147	P8689147	MOTOR FLANGE
148	PS68M	PHLP HD SCR M6-1 X 10
149	P8689149	LABEL SAFETY GLASSES
150	P8689150	PC BOARD
151	P8689151	COLLAR
152	P8689152	ROTOR SHAFT
153	PK72M	KEY 4 X 4 X 6
154	P8689154	SPRING SUPPORT
155	P8689155	TORSION SPRING
156	P8689156	COVER
157	PN18M	ACORN NUT M8-1.25
158	P8689158	STUD
159	P8689159	SUPPORTING SHANK
160	P8689160	SHLDR BOLT M8-1.25 X 25
161	P8689161	SLEEVE
162	PW01M	FLAT WASHER 8MM
163	P8689163	COVER
164	P8689164	TOP COVER
165	PS12M	PHLP HD SCR M3-.5 X 6
166	PWR810	WRENCH 8 X 10
167	PWR1417	WRENCH 14 X 17
168	PWR1719	WRENCH 17 X 19
169	P8689169	WRENCH 36MM
170	P8689170	COLLET MT#3 X 3/8
171	P8689171	COLLET MT#3 X 1/2
172	PAW03M	HEX WRENCH 3MM
173	PAW04M	HEX WRENCH 4MM
174	PAW05M	HEX WRENCH 5MM
175	PAW06M	HEX WRENCH 6MM
176	P8689176	CHUCK KEY
177	P8689177	OILER
178	P8689178	T-NUTS M10-1.5
179	P8689179	SPANNER WRENCH
180	P8689180	LOCKING PIN
181	P8689181	DRILL CHUCK 1/2
182	P8689182	ARBOR MT#3-B16
183	P8689183	SHAFT
184	PK70M	KEY 8 X 8 X 12
185	PW04M	FLAT WASHER 10MM
186	P8689186	RIVET
187	P8689187	MOTOR BRUSH
188	P8689188	COOLING FAN
212	P8689212	DRAWBAR



G8689 Column Assembly

