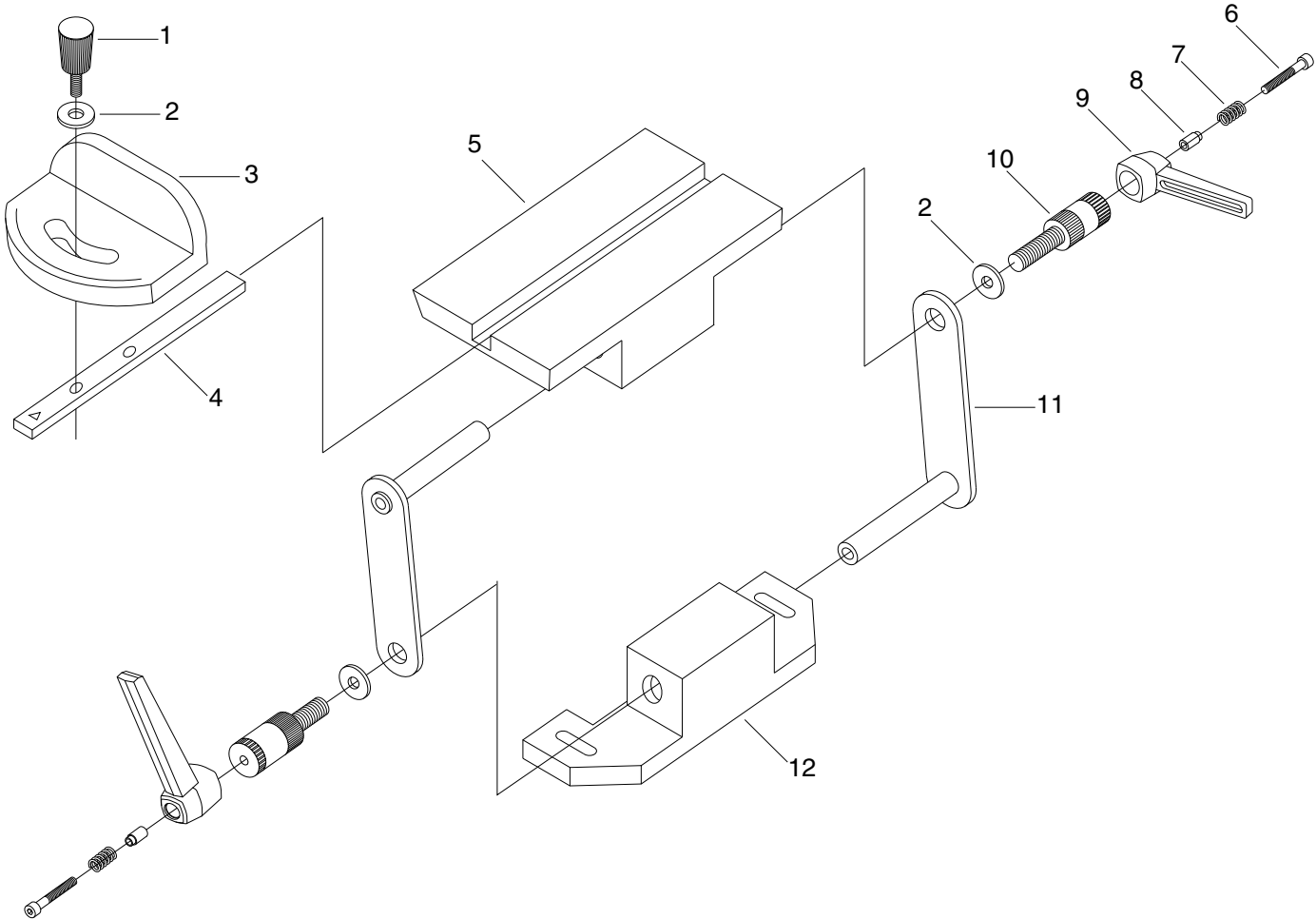


G8987 Parts Breakdown and List



REF	PART #	DESCRIPTION
1	P8987001	KNOB M6-1 X 16
2	PW03M	FLAT WASHER 6MM
3	P8987003	MITER GAUGE BODY
4	P8987004	MITER BAR
5	P8987005	TOOL REST TABLE
6	PSB16M	CAP SCREW M4-.7 X 16
7	P8987007	COMPRESSION SPRING
8	P8987008	SPACER
9	P8987009	ADJUSTABLE HANDLE
10	P8987010	RACHET KNOB
11	P8987011	SUPPORT BRACKET
12	P8987012	TOOL REST BASE