



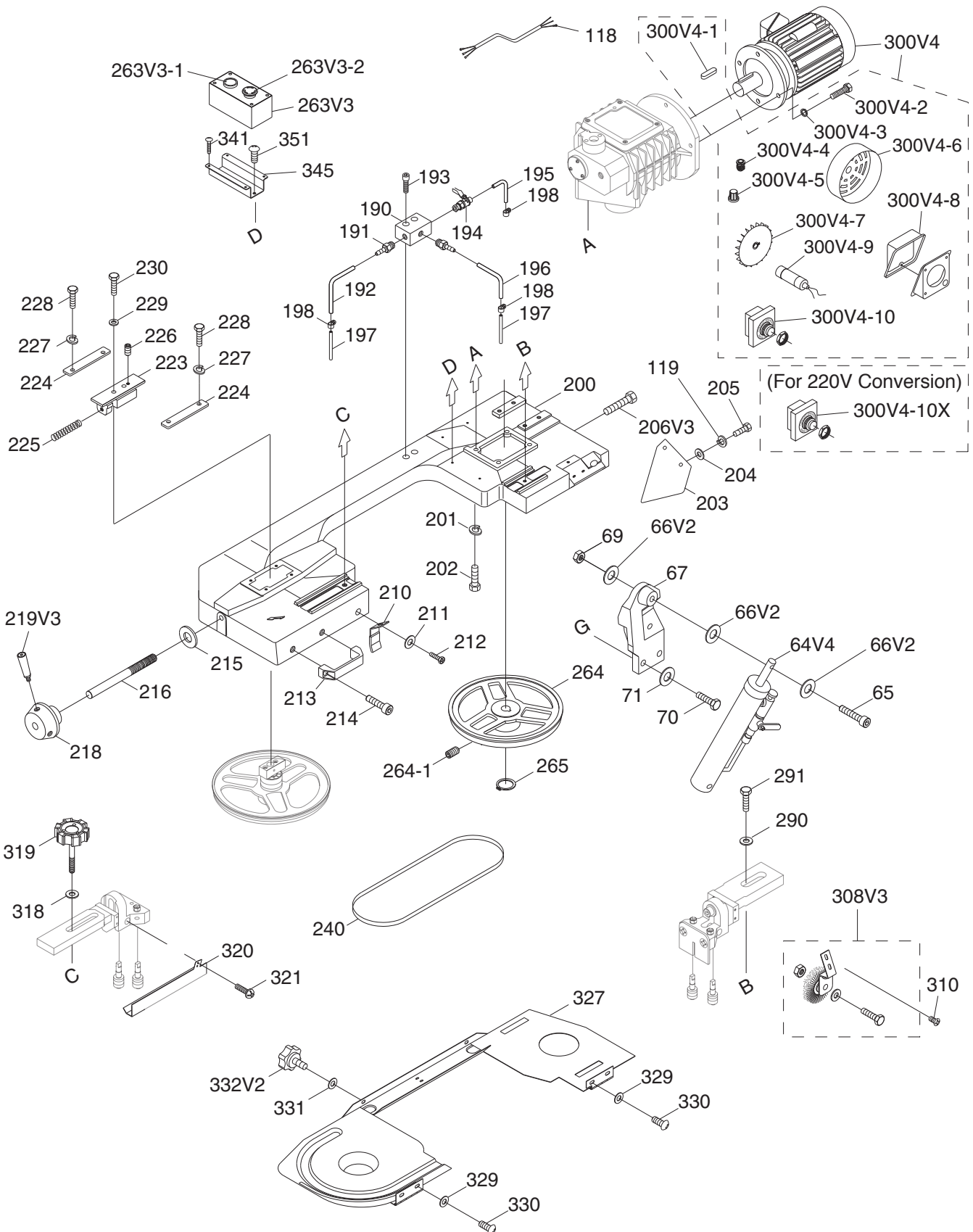
# Base/Stand Parts List

REF	PART #	DESCRIPTION
1	P9743001	SWIVEL BASE
2	P9743002	ACME SCREW 22 X 5-650
9	P9743009	ACME NUT 22 X 5
15	P9743015	FIXED BOLT 22 X 19 X 78, 3/8-16 X 38
16	P9743016	FLAT WASHER 3/8
17	P9743017	WISE JAW BRACKET FRONT
18V2	P9743018V2	HEX BOLT 3/8-16 X 1-1/2 V2.01.02
19	P9743019	HEX NUT 1/2-12
20	P9743020	FLAT WASHER 1/2
21	P9743021	CARRIAGE BOLT 1/2-12 X 2
22	P9743022	HEX BOLT 1/2-12 X 2
24	P9743024	REAR VISE JAW BRACKET
25	P9743025	PHLP HD SCR 10-24 X 3/8
26	P9743026	FLAT WASHER #10
27	P9743027	SCALE
28	P9743028	EXT SPRING 32 X 292
29	P9743029	SPRING ADJUSTNG ROD
30	P9743030	SPRING HANDLE BRACKET
31	P9743031	FLAT WASHER 5/16
32	P9743032	HEX BOLT 5/16-18 X 3/4
33	P9743033	FLAT WASHER 3/8
34	P9743034	HEX NUT 3/8-16
35	P9743035	BUSHING
36	P9743036	SUPPORT ROD
37V3	P9743037V3	HEX BOLT 5/16-18 X 3/4 V3.04.06
38	P9743038	PIVOT BRACKET
39	P9743039	BRACKET WASHER
40	P9743040	HEX BOLT 3/8-16 X 1-1/2
41	P9743041	WIRE NIPPLE 5/8
43	P9743043	FLAT WASHER 5/16
44	P9743044	HEX BOLT 5/16-18 X 3/4
45	P9743045	CYLINDER LOWER SUPPORT
46	P9743046	FLAT WASHER 5/16
47	P9743047	HEX BOLT 5/16-18 X 1/2
48V2	P9743048V2	THUMB SCREW M8-1.25 X 23 V2.01.02
49	P9743049	HEX BOLT 5/16-18 X 3/4
50	P9743050	STOCK STOP ROD
51	P9743051	STOP BLOCK
56	P9743056	FIXED PLATE
57	P9743057	FLAT WASHER 1/4
58	P9743058	HEX BOLT 5/16-18 X 1-1/2
59	P9743059	HEX BOLT 3/8-16 X 1-3/4
60	P9743060	SUPPORT PLATE
61	P9743061	HEX BOLT 5/16-18 X 3/4
62	P9743062	LOCK WASHER 5/16
63	P9743063	HEX NUT 3/8-16
72V3	P9743072V3	STAND COMPLETE ASSY V3.04.06
73	P9743073	HEX BOLT 5/16-18 X 1
74	P9743074	LOCK WASHER 5/16
75	P9743075	HEX NUT 5/16-18
76	P9743076	HEX BOLT 3/8-16 X 1-1/4
77	P9743077	HEX NUT 3/8-16

REF	PART #	DESCRIPTION
78V2	P9743078V2	FILTER V2.01.02
79	P9743079	HEX BOLT 1/4-20 x 1/2
83	P9743083	HEX NUT 5/16-18
84V2	P9743084V2	WHEEL ROD V2.12.09
85V3	P9743085V3	FLAT WASHER 3/8 V3.12.09
86V3	P9743086V3	COTTER PIN 3 X 25MM STANDARD
87V2	P9743087V2	FOOT V2.12.09
88V3	P9743088V2	HEX NUT 1/2-12
89	P9743089	WHEEL
93	P9743093	HANDLE
94V3	P9743094V3	HEX NUT 5/16-18 V3.04.06
95V3	P9743095V3	FLAT WASHER 5/16 V3.04.06
96V3	P9743096V3	HEX BOLT 5/16-18 X 1-1/2 V3.04.06
97	P9743097	CUTTING FLUID TANK
98V3	P9743098V3	COOLANT PUMP 1/8 HP 110/220V V3.05.24
98V3-1	P9743098V3-1	S CAPACITOR 3M 400V 38 X 20 X 30MM
99	P9743099	FLAT WASHER 1/4
100V3	P9743100V3	PHLP HD SCR 1/4-20 X 5/8 V3.04.06
101V2	P9743101V2	HOSE 3/4" X 15-3/4" V2.04.06
102V3	P9743102V3	COUPLER 3/8"PT X 5/16" V3.04.06
115	P9743115	POWER CORD 12G 3W 70"
116	P9743116	PUMP CORD 18G 3W 22"
117	P9743117	LIMIT SWITCH CORD 18G 2W 48"
337V3	P9743337V3	LOCK NUT 1/2-12 V3.04.06
338V3	P9743338V3	FLAT WASHER 1/2 V3.04.06
364	P9743364	CRANK HANDLE
365	P9743365	CAST IRON CRANK
366V3	P9743366V3	SET SCREW 5/16-18 X 1/2 V3.04.06
367	P9743367	PRESS CLAMP
368	P9743368	FLAT WASHER 12MM
369	P9743369	HEX BOLT 3/8-16 X 1-1/4
370	P9743370	LOCK WASHER 3/8
372	P9743372	PRESSURE SHAFT
373	P9743373	STUD-UDE 1/2-13 X 7, 1/2, 7/8
374	P9743374	KNOB 1/2-13, D1-3/8 ROUND
375	P9743375	BEARING 10 X 28 X 11
376V2	P9743376V2	FLAT WASHER 12MM V2.01.02
377	P9743377	COMPRESSION SPRING 31.5 X 34L
750	P9743750	SAFETY SWITCH ASSY V3.04.06
750-1	P9743750-1	PHLP HD SCR 10-24 X 3/8
750-2	P9743750-2	SWITCH BRACKET V3.04.06
750-3	P9743750-3	SAFETY SWITCH V3.04.06
750-4	P9743750-4	PHLP HD SCR 10-24 X 3/8
751	P9743751	PUMP TOGGLE SWITCH ASSY V3.04.06
751-1	P9743751-1	TOGGLE SWITCH COVER V3.04.06
751-2	P9743751-2	SWITCH COVER V3.04.06
751-3	P9743751-3	PHLP HD SCR 10-24 X 3/8
751-4	P9743751-4	COVER V3.04.06
751-5	P9743751-5	TOGGLE SWITCH SCI R13-25A V3.04.06
751-6	P9743751-6	ELECTRICAL BOX V3.04.06
751-7	P9743751-7	PHLP HD SCR M4-.7 X 6
751-8	P9743751-8	STRAIN RELIEF TYPE-3 PG11V3.04.06



# Headstock



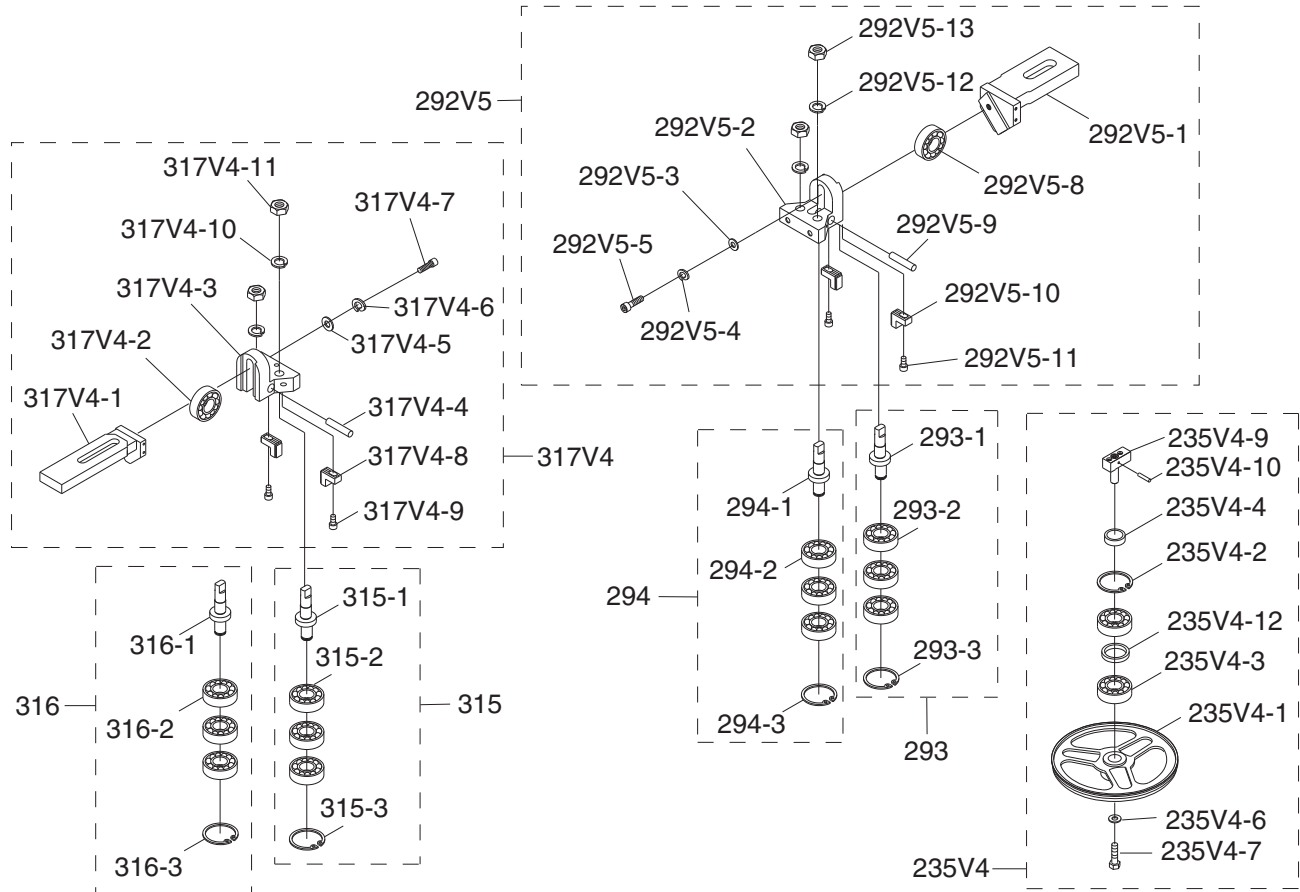
# Headstock Parts List

REF	PART #	DESCRIPTION
64V4	P9743064V4	CYLINDER COMPLETE SET V4.05.14
65	P9743065	CAP SCREW 3/8-16 X 2-1/4
66V2	P9743066V2	LOCK WASHER 3/8 V2.01.02
67	P9743067	CYLINDER UPPER SUPPORT
69	P9743069	HEX NUT 3/8-16
70	P9743070	HEX BOLT 5/16-18 X 1
71	P9743071	FLAT WASHER 5/16
118	P9743118	MOTOR CORD 12G 3W 30"
119	P9743119	LOCK WASHER 1/4
190	P9743190	VALVE 3-WAY
191	P9743191	HOSE FITTING
192	P9743192	HOSE 8 X 1100MM 1/4"
193	P9743193	CAP SCREW 1/4-20 X 1-1/4
194	P9743194	VALVE 1/4"PT X 5/16"
195	P9743195	HOSE 12 X 8 X 1400MM 5/16"
196	P9743196	HOSE 8 X 6 X 400MM 1/4"
197	P9743197	HOSE BIB
198	P9743198	HOSE CLAMP V2.01.02
200	P9743200	BODY FRAME
201	P9743201	LOCK WASHER 3/8
202	P9743202	HEX BOLT 3/8-16 X 1-1/4
203	P9743203	SUPPORT PLATE
204	P9743204	FLAT WASHER 1/4
205	P9743205	HEX BOLT 1/4-20 X 1/2 PHILLIPS
206V3	P9743206V3	HEX BOLT 5/16-18 X 3/4 V3.04.06
210	P9743210	SHUT-OFF SWITCH TAB
211	P9743211	FLAT WASHER 1/4
212	P9743212	CAP SCREW 1/4-20 X 5/8
213	P9743213	HANDLE
214	P9743214	CAP SCREW 5/16-18 X 1
215	P9743215	LOCK WASHER 3/8
216	P9743216	BLADE TENSION BAR
218	P9743218	HANDLE BODY
219V3	P9743219V3	HANDLE 3/4 X 2, 5/16-18 X 3/4 V3.04.06
223	P9743223	BLADE TENSION SLIDING BLOCK
224	P9743224	SLIDING PLATE
225	P9743225	COMPRESSION SPRING 14 X 140
226	P9743226	SET SCREW 5/16-18 X 3/4
227	P9743227	LOCK WASHER 5/16

REF	PART #	DESCRIPTION
228	P9743228	HEX BOLT 5/16-18 X 1
229	P9743229	FLAT WASHER 5/16
230	P9743230	HEX BOLT 5/16-18 X 1-1/2
240	P9743240	BLADE 104-1/2 X 1
263V3	P9743263V3	CONTROL BOX V3.12.07
263V3-1	P9743263V3-1	ON BUTTON NHD NPB22-F10G
263V3-2	P9743263V3-2	EMERGENCY OFF BUTTON KEDU HY57B
264	P9743264	DRIVE BLADE WHEEL
264-1	P9743264-1	SET SCREW 1/4-20 X 3/8
265	P9743265	EXT RETAINING RING 25MM
290	P9743290	FLAT WASHER 3/8
291	P9743291	HEX BOLT 3/8-16 X 1-1/4
300V4	P9743300V4	MOTOR 1.5HP 110/220V 1-PH V4.08.07
300V4-1	P9743300V4-1	KEY 5 X 5 X 30
300V4-2	P9743300V4-2	HEX BOLT M10-1.5 X 25
300V4-3	P9743300V4-3	LOCK WASHER 10MM
300V4-4	P9743300V4-4	STRAIN RELIEF TYPE-3 PG13.5
300V4-5	P9743300V4-5	WIRE NUT 12AWG
300V4-6	P9743300V4-6	FAN COVER
300V4-7	P9743300V4-7	FAN
300V4-8	P9743300V4-8	JUNCTION BOX
300V4-9	P9743300V4-9	S CAPACITOR 150M 250V 2-3/4" X 1-3/8"
300V4-10	P9743300V4-10	CIRCUIT BREAKER KUOYUH-98 25A 110V
300V4-10X	P9743300V4-10X	CIRCUIT BREAKER KUOYUH-98 12A 220V
308V3	P9743308V3	BRUSH ASSY V3.04.06
310	P9743310	PHLP HD SCR 10-24 X 3/8
318	P9743318	LOCK WASHER 3/8
319	P9743319	BLADE ADJUSTABLE KNOB
320	P9743320	BLADE COVER FRONT
321	P9743321	PHLP HD SCR 8-32 x 1/4
327	P9743327	BLADE BACK COVER
329	P9743329	FLAT WASHER 1/4
330	P9743330	PHLP HD SCR 1/4-20 X 1/2
331	P9743331	FLAT WASHER 1/4
332V2	P9743332V2	KNOB BOLT 1/4-20 X 1/2, D1-5/16 V2.01.02
341	P9743341	PHLP HD SCR M4-.7 X 6
345	P9743345	BRACKET
351	P9743351	PHLP HD SCR 10-24 X 3/8



# Miscellaneous Assemblies

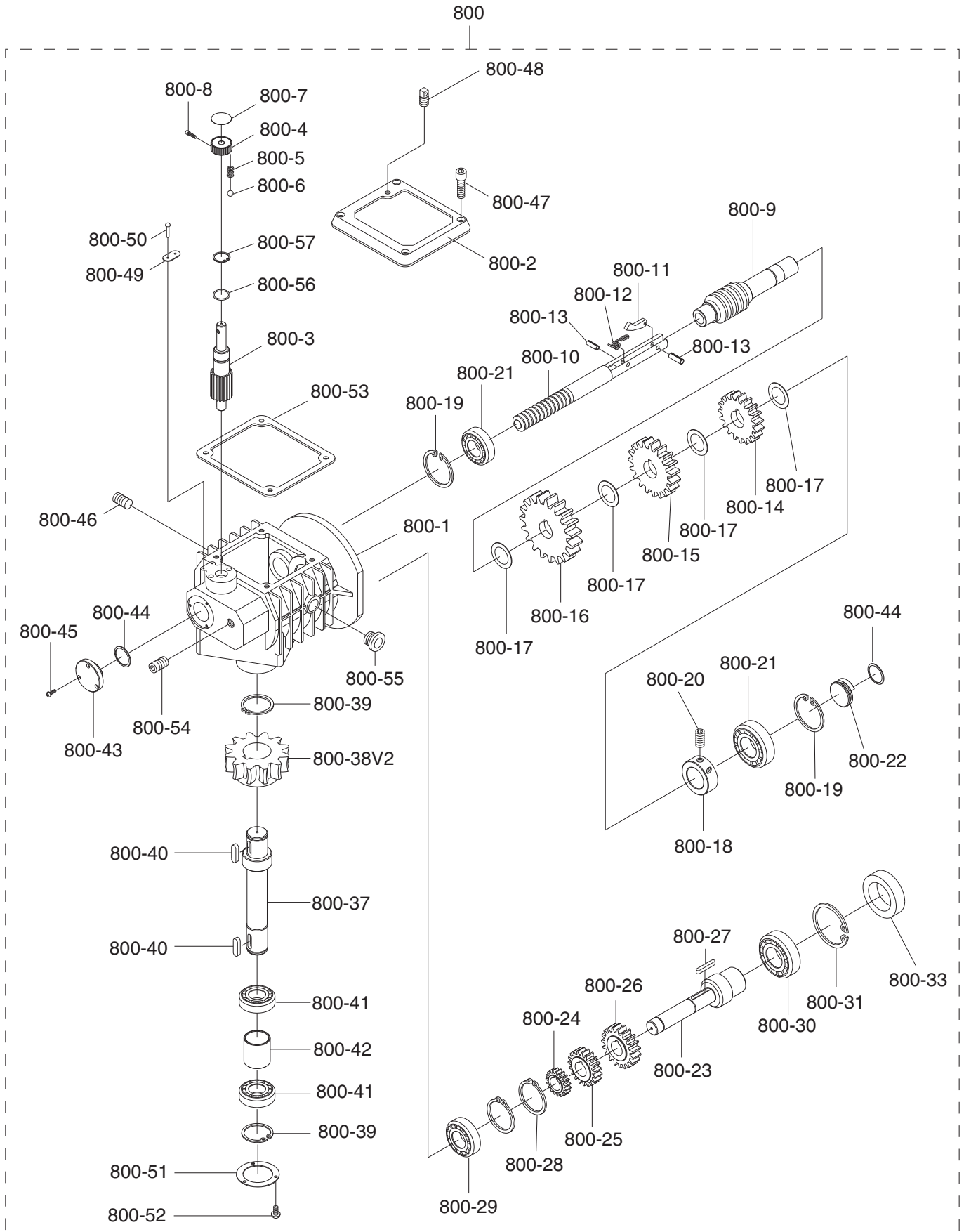


REF	PART #	DESCRIPTION
235V4	P9743235V4	IDLER WHEEL ASSY V4.04.06
235V4-1	P9743235V4-1	IDLER WHEEL
235V4-2	P9743235V4-2	INT RETAINING RING 52MM
235V4-3	P9743235V4-3	BALL BEARING 6205-2RS
235V4-4	P9743235V4-4	BUSHING
235V4-6	P9743235V4-6	FLAT WASHER 5/16
235V4-7	P9743235V4-7	HEX BOLT 5/16-18 X 3/4
235V4-9	P9743235V4-9	SLIDING PLATE DRAW BLOCK & SHAFT
235V4-10	P9743235V4-10	ROLL PIN 5 X 34
235V4-12	P9743235V4-12	SPACER
292V5	P9743292V5	ADJUSTABLE BRACKET ASSY V5.01.08
292V5-1	P9743292V5-1	ADJUSTABLE BRACKET
292V5-2	P9743292V5-2	BLADE ADJUSTER
292V5-3	P9743292V5-3	FLAT WASHER 5/16
292V5-4	P9743292V5-4	LOCK WASHER 5/16
292V5-5	P9743292V5-5	CAP SCREW 5/16-18 X 1-1/4
292V5-8	P9743292V5-8	BEARING 22MM X 8MM 608ZZ
292V5-9	P9743292V5-9	BEARING PIN 8MM
292V5-10	P9743292V5-10	CARBIDE GUIDE
292V5-11	P9743292V5-11	CAP SCREW M6-1 X 16
292V5-12	P9743292V5-12	LOCK WASHER 3/8
292V5-13	P9743292V5-13	HEX NUT 3/8-24
293	P9743293	GUIDE PIVOT ASSEMBLY RIGHT V2.01.02
293-1	P9743293-1	GUIDE PIVOT RIGHT V2.01.02
293-2	P9743293-2	BEARING 22MM X 8MM 608ZZ

REF	PART #	DESCRIPTION
293-3	P9743293-3	INT RETAINING RING 26MM
294	P9743294	GUIDE PIVOT ASSEMBLY LEFT V2.01.02
294-1	P9743294-1	GUIDE PIVOT V2.01.02
294-2	P9743294-2	BEARING 22MM X 8MM 608ZZ
294-3	P9743294-3	INT RETAINING RING 26MM
315	P9743315	GUIDE PIVOT ASSEMBLY RIGHT V2.01.02
315-1	P9743315-1	GUIDE PIVOT RIGHT V2.01.02
315-2	P9743315-2	BEARING 22MM X 8MM 608ZZ
315-3	P9743315-3	INT RETAINING RING 26MM
316	P9743316	GUIDE PIVOT ASSEMBLY LEFT V2.01.02
316-1	P9743316-1	GUIDE PIVOT LEFT V2.01.02
316-2	P9743316-2	BEARING 22MM X 8MM 608ZZ
316-3	P9743316-3	INT RETAINING RING 26MM
317V4	P9743317V4	ADJUSTABLE BRACKET ASSY FRONT V4.04.06
317V4-1	P9743317V4-1	ADJUSTABLE BRACKET FRONT V3.04.06
317V4-2	P9743317V4-2	BEARING 22MM X 8MM 608ZZ
317V4-3	P9743317V4-3	BLADE ADJUSTER REAR
317V4-4	P9743317V4-4	BEARING PIN
317V4-5	P9743317V4-5	FLAT WASHER 5/16
317V4-6	P9743317V4-6	LOCK WASHER 5/16
317V4-7	P9743317V4-7	CAP SCREW 5/16-18 X 1-1/4
317V4-8	P9743317V4-8	CARBIDE GUIDE
317V4-9	P9743317V4-9	CAP SCREW M6-1 X 16
317V4-10	P9743317V4-10	LOCK WASHER 3/8
317V4-11	P9743317V4-11	HEX NUT 3/8-24



# Gearbox



# Gearbox Parts List

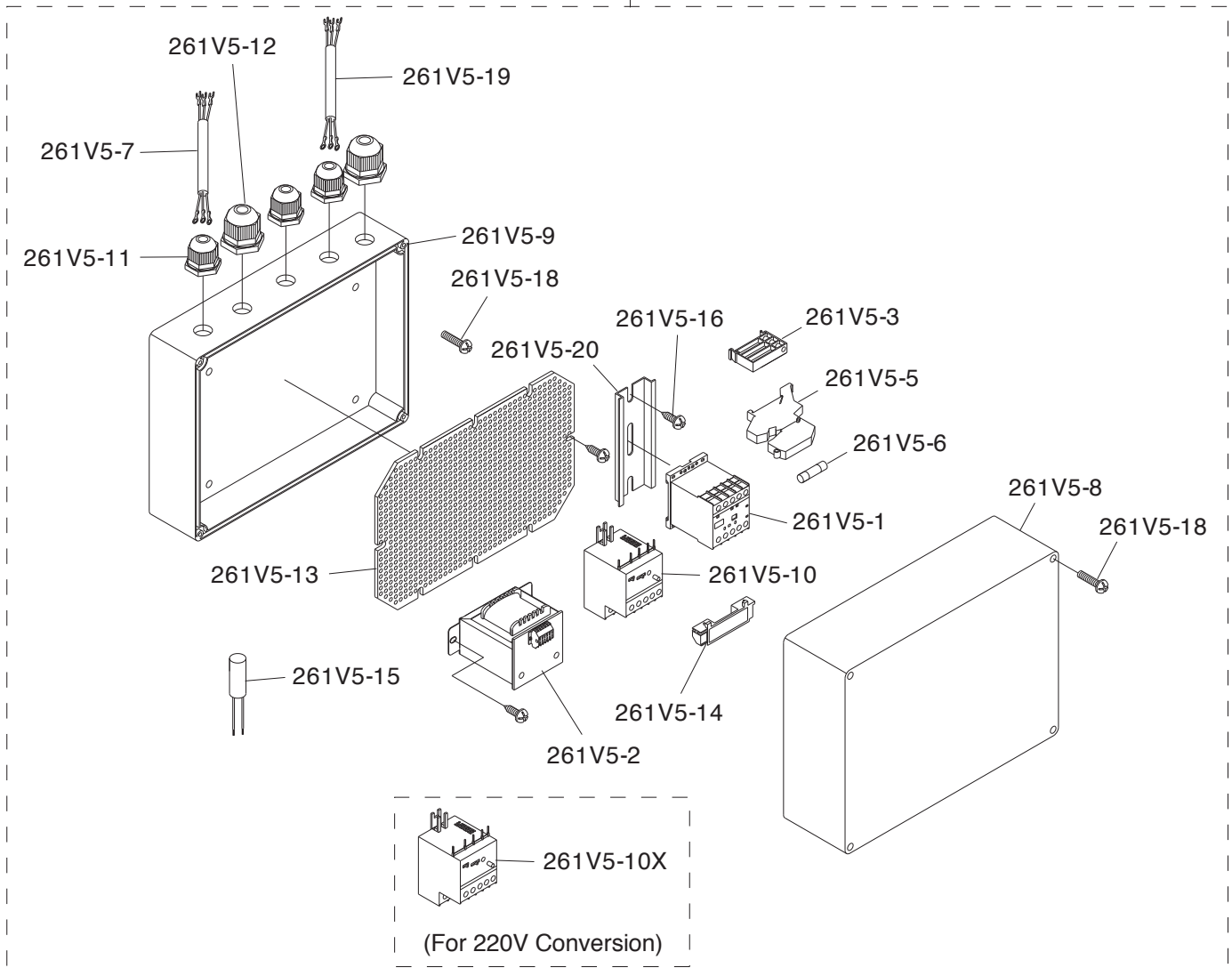
REF	PART #	DESCRIPTION
800	P9743800	COMPLETE GEARBOX V4.01.08
800-1	P9743800-1	GEARBOX
800-2	P9743800-2	GEARBOX COVER
800-3	P9743800-3	SPEED CHANGE GEAR SHAFT
800-4	P9743800-4	SPEED KNOB
800-5	P9743800-5	COMPRESSION SPRING
800-6	P9743800-6	STEEL BALL 8MM
800-7	P9743800-7	SPEED INDICATOR DIAL
800-8	P9743800-8	CAP SCREW M5-.8 X 27
800-9	P9743800-9	WORM SHAFT
800-10	P9743800-10	SPEED CHANGE ROD
800-11	P9743800-11	SPEED CHANGE KEY
800-12	P9743800-12	TORSION SPRING
800-13	P9743800-13	ROLL PIN 3 X 10
800-14	P9743800-14	GEAR
800-15	P9743800-15	GEAR
800-16	P9743800-16	GEAR
800-17	P9743800-17	GEAR SPACER
800-18	P9743800-18	LOCK COLLAR
800-19	P9743800-19	INT RETAINING RING 35MM
800-20	P9743800-20	SET SCREW M6-1 X 6
800-21	P9743800-21	BALL BEARING 6003LLB
800-22	P9743800-22	COVER
800-23	P9743800-23	GEAR SHAFT
800-24	P9743800-24	GEAR
800-25	P9743800-25	GEAR
800-26	P9743800-26	GEAR

REF	PART #	DESCRIPTION
800-27	P9743800-27	KEY 5 X 5 X 35
800-28	P9743800-28	EXT RETAINING RING 17MM
800-29	P9743800-29	BALL BEARING 6003LLB
800-30	P9743800-30	BALL BEARING 6007LLB
800-31	P9743800-31	INT RETAINING RING 62MM
800-33	P9743800-33	OIL SEAL
800-37	P9743800-37	DRIVE GEAR SHAFT
800-38V2	P9743800-38V2	WORM GEAR V2.01.12
800-39	P9743800-39	EXT RETAINING RING 25MM
800-40	P9743800-40	KEY 6 X 6 X 20
800-41	P9743800-41	BALL BEARING 6205LLB
800-42	P9743800-42	BEARING SPACER
800-43	P9743800-43	COVER
800-44	P9743800-44	O-RING
800-45	P9743800-45	BUTTON HD CAP SCR M5-.8 X 12
800-46	P9743800-46	PLUG
800-47	P9743800-47	CAP SCREW M6-1 X 20
800-48	P9743800-48	VENT PLUG
800-49	P9743800-49	SCALE
800-50	P9743800-50	RIVET
800-51	P9743800-51	BEARING COVER
800-52	P9743800-52	PHLP HD SCR M5-.8 X 10
800-53	P9743800-53	GASKET
800-54	P9743800-54	PLUG
800-55	P9743800-55	SIGHT GLASS
800-56	P9743800-56	O-RING 15.8 X 2.4 P16
800-57	P9743800-57	INT RETAINING RING 25MM



# Electrical Box

261V5

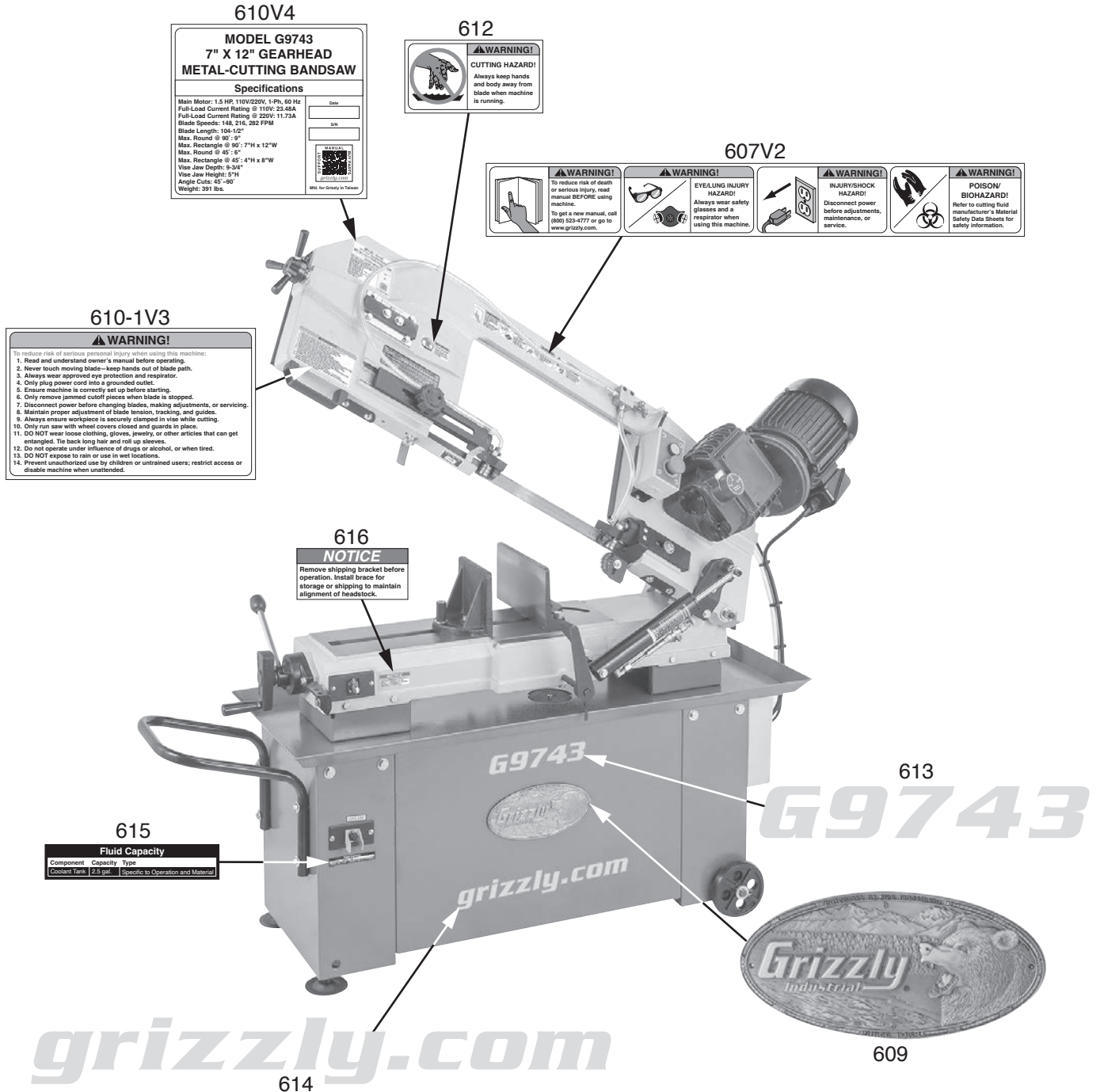


REF	PART #	DESCRIPTION
261V5	P9743261V5	ELECTRICAL BOX ASSEMBLY V5.10.13
261V5-1	P9743261V5-1	CONTACTOR TECO CU-18 24V
261V5-2	P9743261V5-2	TRANSFORMER TBSM RF-017
261V5-3	P9743261V5-3	DIN RAIL END CAP
261V5-5	P9743261V5-5	FUSE HOUSING 281-611
261V5-6	P9743261V5-6	FUSE 2A 5 X 20MM
261V5-7	P9743261V5-7	CONTROL BOX CORD 16G 3W 48"
261V5-8	P9743261V5-8	ELECTRICAL BOX COVER
261V5-9	P9743261V5-9	ELECTRICAL BOX
261V5-10	P9743261V5-10	OL RELAY TECO RHU-10/30K2 24.5-30A 110V

REF	PART #	DESCRIPTION
261V5-10X	P9743261V5-10X	OL RELAY TECO RHU-10/12.5K1 9-12.5A 220V
261V5-11	P9743261V5-11	STRAIN RELIEF TYPE-3 PG11
261V5-12	P9743261V5-12	STRAIN RELIEF TYPE-3 PG13.5
261V5-13	P9743261V5-13	NET PANEL
261V5-14	P9743261V5-14	CLIP
261V5-15	P9743261V5-15	ARRESTOR 1UF 120OHM
261V5-16	P9743261V5-16	TAP SCREW M5 X 15
261V5-18	P9743261V5-18	PHLP HD SCR 1/4-20 X 1/2
261V5-19	P9743261V5-19	PUMP SWITCH CORD 18G 3W 30"
261V5-20	P9743261V5-20	DIN RAIL



# Labels & Cosmetics (Front)



**610V4**

**MODEL G9743  
7" X 12" GEARHEAD  
METAL-CUTTING BANDSAW**

**Specifications**

Main Motor: 1.5 HP 110V/220V, 1-Ph, 60 Hz  
Full-Load Current Rating @ 110V: 23.4A  
Full-Load Current Rating @ 220V: 11.73A  
Blade Speeds: 146, 216, 282 FPM  
Blade Length: 146-1/2"  
Max. Round @ 90°: 9"  
Max. Round @ 45°: 6"  
Max. Rectangle @ 45°: 4" H x 8" W  
Vise Jaw Depth: 9-3/4"  
Vise Jaw Height: 5" H  
Angle Cuts: 42°-49°  
Weight: 391 lbs.

GRIZZLY  
Mfg. in Grizzly in Taiwan

**612**

**WARNING!**  
**CUTTING HAZARD!**  
Always keep hands and body away from blade when machine is running.

**607V2**

**WARNING!**  
To reduce risk of death or serious injury, read manual BEFORE using machine.  
To get a new manual, call (800) 523-4777 or go to [www.grizzly.com](http://www.grizzly.com).

**WARNING!**  
**EYE/EAR INJURY HAZARD!**  
Always wear safety glasses and a respirator when using this machine.

**WARNING!**  
**INJURY/SHOCK HAZARD!**  
Disconnect power before adjustments, maintenance, or service.

**WARNING!**  
**POISON/ BIOHAZARD!**  
Refer to cutting fluid manufacturer's Material Safety Data Sheets for safety information.

**610-1V3**

**WARNING!**

To reduce risk of serious personal injury when using this machine:

1. Read and understand owner's manual before operating.
2. Never touch moving blade—keep hands out of blade path.
3. Always wear approved eye protection and respirator.
4. Only plug power cord into a grounded outlet.
5. Ensure machine is correctly set up before starting.
6. Only remove jammed cutoff pieces when blade is stopped.
7. Disconnect power before changing blades, making adjustments, or servicing.
8. Maintain proper adjustment of blade tension, tracking, and guides.
9. Always ensure workpiece is securely clamped in vise while cutting.
10. Only run saw with wheel covers closed and guards in place.
11. DO NOT wear loose clothing, gloves, jewelry, or other articles that can get entangled. Tie back long hair and roll up sleeves.
12. Do not operate under influence of drugs or alcohol, or when tired.
13. DO NOT expose to rain or use in wet locations.
14. Prevent unauthorized use by children or untrained users; restrict access or disable machine when unattended.

**616**

**NOTICE**

Remove shipping bracket before operation. Install brace for storage or shipping to maintain alignment of headstock.

**615**

**Fluid Capacity**

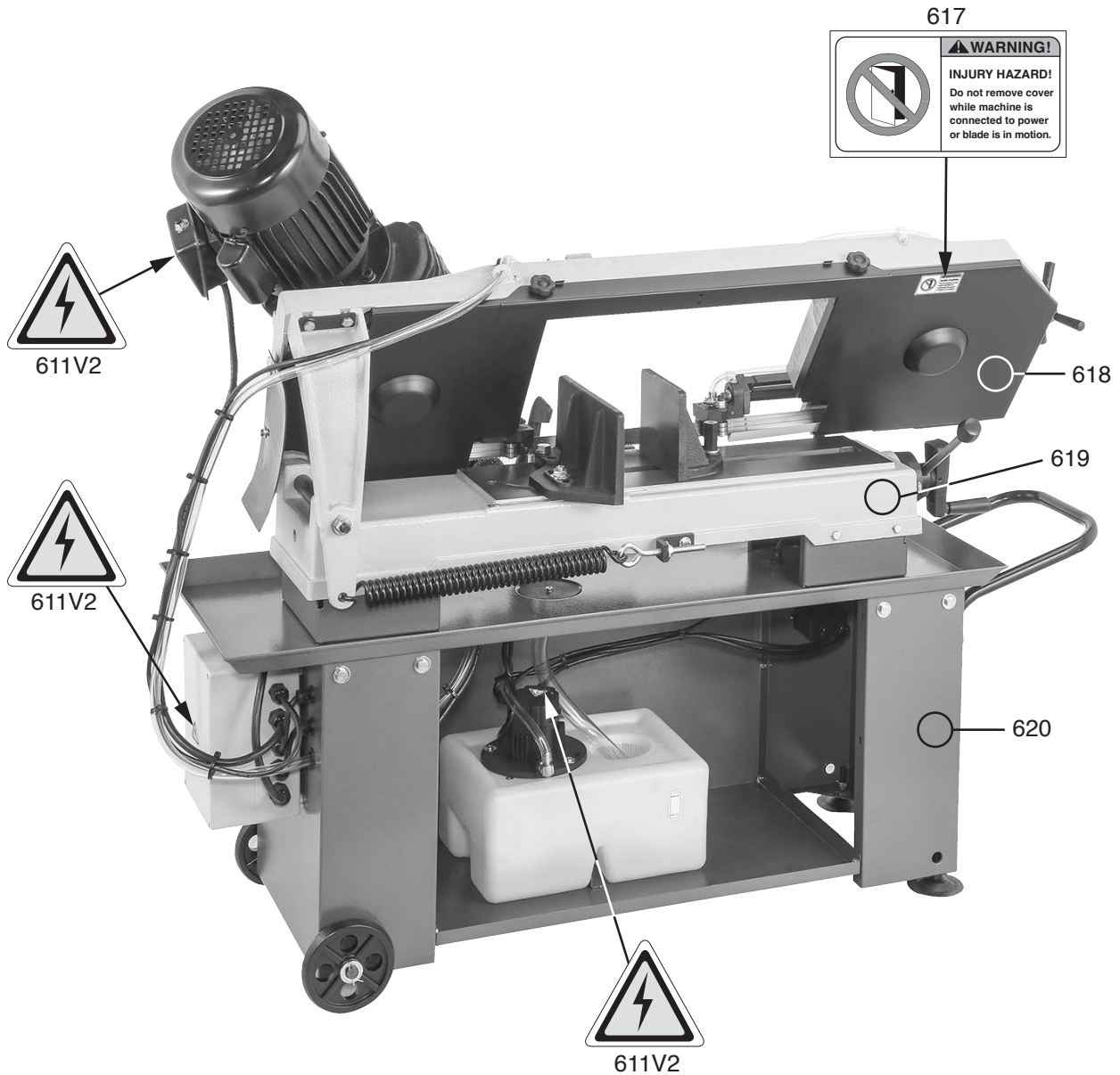
Component	Capacity	Type
Coolant Tank	2.5 gal.	Specific to Operation and Material

REF	PART #	DESCRIPTION
607V2	P9743607V2	COMBO WARNING LABEL V2.05.23
609	P9743609	GRIZZLY NAMEPLATE SMALL
610V4	P9743610V4	MACHINE ID LABEL V4.05.24
610-1V3	P9743610-1V3	MACHINE WARNINGS LABEL V3.05.23
612	P9743612	CUTTING HAZARD LABEL

REF	PART #	DESCRIPTION
613	P9743613	MODEL NUMBER LABEL
614	P9743614	GRIZZLY.COM LABEL
615	P9743615	FLUID CAPACITY LABEL
616	P9743616	SHIPPING BRACKET LABEL



# Labels & Cosmetics (Rear)



REF	PART #	DESCRIPTION
611V2	P9743611V2	ELECTRICITY LABEL V2.11.05
617	P9743617	DO NOT REMOVE COVER LABEL
618	P9743618	TOUCH-UP PAINT, GRIZZLY BLACK

REF	PART #	DESCRIPTION
619	P9743619	TOUCH-UP PAINT, GRIZZLY BEIGE
620	P9743620	TOUCH-UP PAINT, GRIZZLY GREEN

## **!WARNING**

Safety labels help reduce the risk of serious injury caused by machine hazards. If any label comes off or becomes unreadable, the owner of this machine **MUST** replace it in the original location before resuming operations. For replacements, contact (800) 523-4777 or [www.grizzly.com](http://www.grizzly.com).

