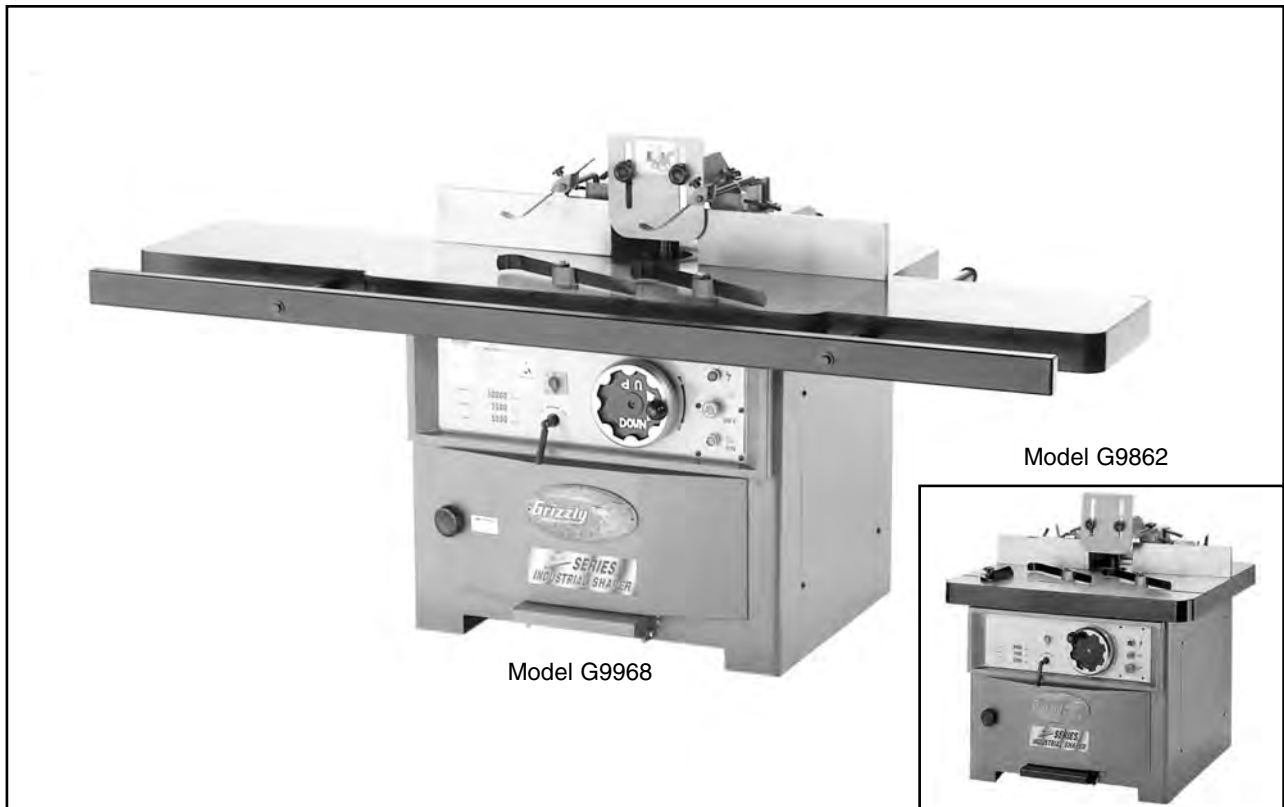


Grizzly **Industrial, Inc.**®

INDUSTRIAL SHAPER MODEL G9862/G9968 PARTS LIST



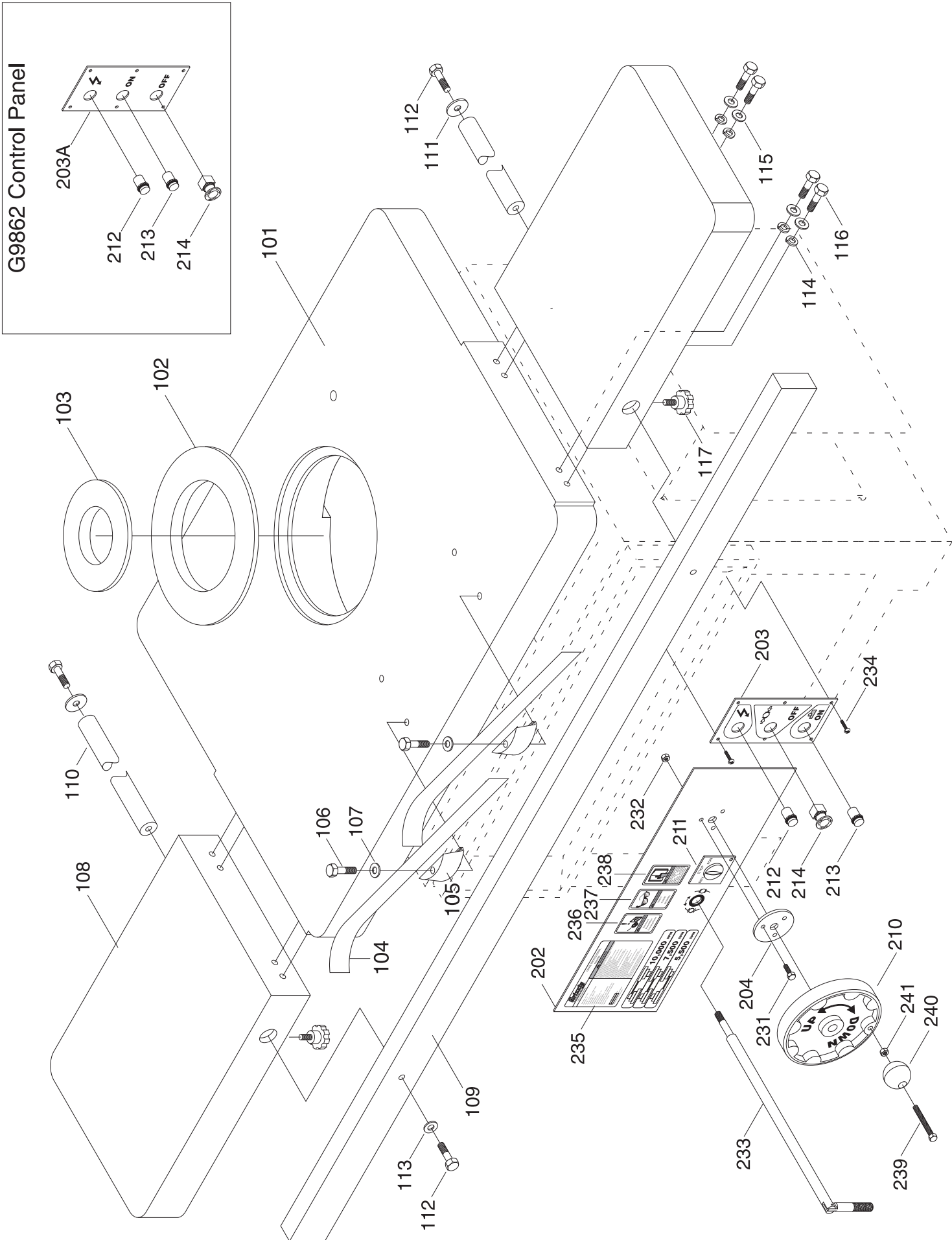
Model G9862

Model G9968

COPYRIGHT © MARCH, 2002 BY GRIZZLY INDUSTRIAL, INC.
**WARNING: NO PORTION OF THIS MANUAL MAY BE REPRODUCED IN ANY SHAPE
OR FORM WITHOUT THE WRITTEN APPROVAL OF GRIZZLY INDUSTRIAL, INC.
PRINTED IN TAIWAN**

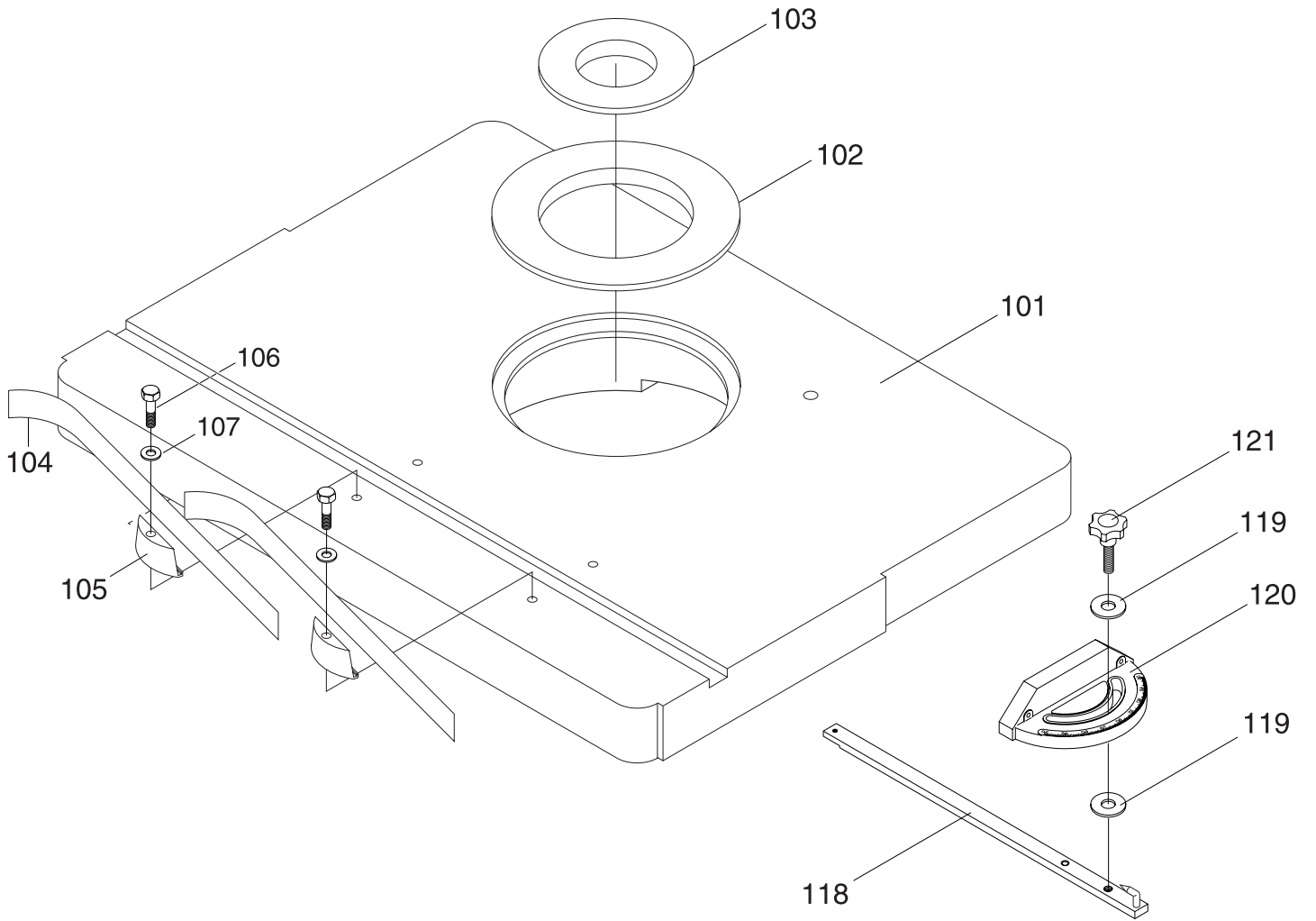
PARTS LIST DISCLAIMER

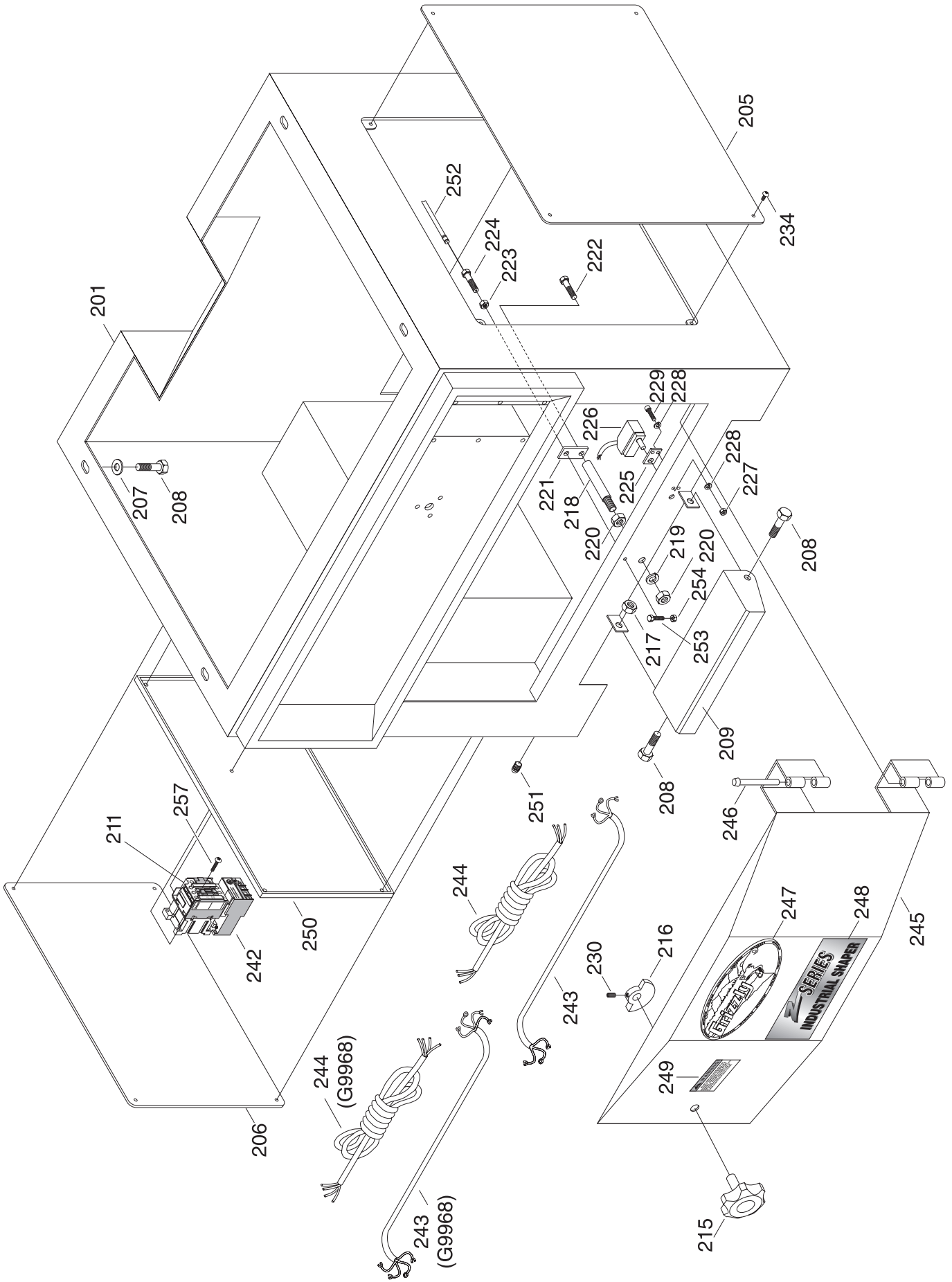
THIS PARTS LIST AND DRAWINGS REPRESENT THE CONFIGURATION OF THE MACHINE AS IT IS CURRENTLY BEING SHIPPED. THE MACHINE CONFIGURATION CAN CHANGE AS PRODUCT IMPROVEMENTS ARE INCORPORATED. IF YOU OWN AN EARLIER VERSION OF THE MACHINE, THIS PARTS LIST MAY NOT DEPICT YOUR MACHINE EXACTLY. CONTACT CUSTOMER SERVICE IF YOU HAVE ANY QUESTIONS ABOUT PART DIFFERENCES. PREVIOUS PARTS LIST VERSIONS ARE NOT AVAILABLE ONLINE.

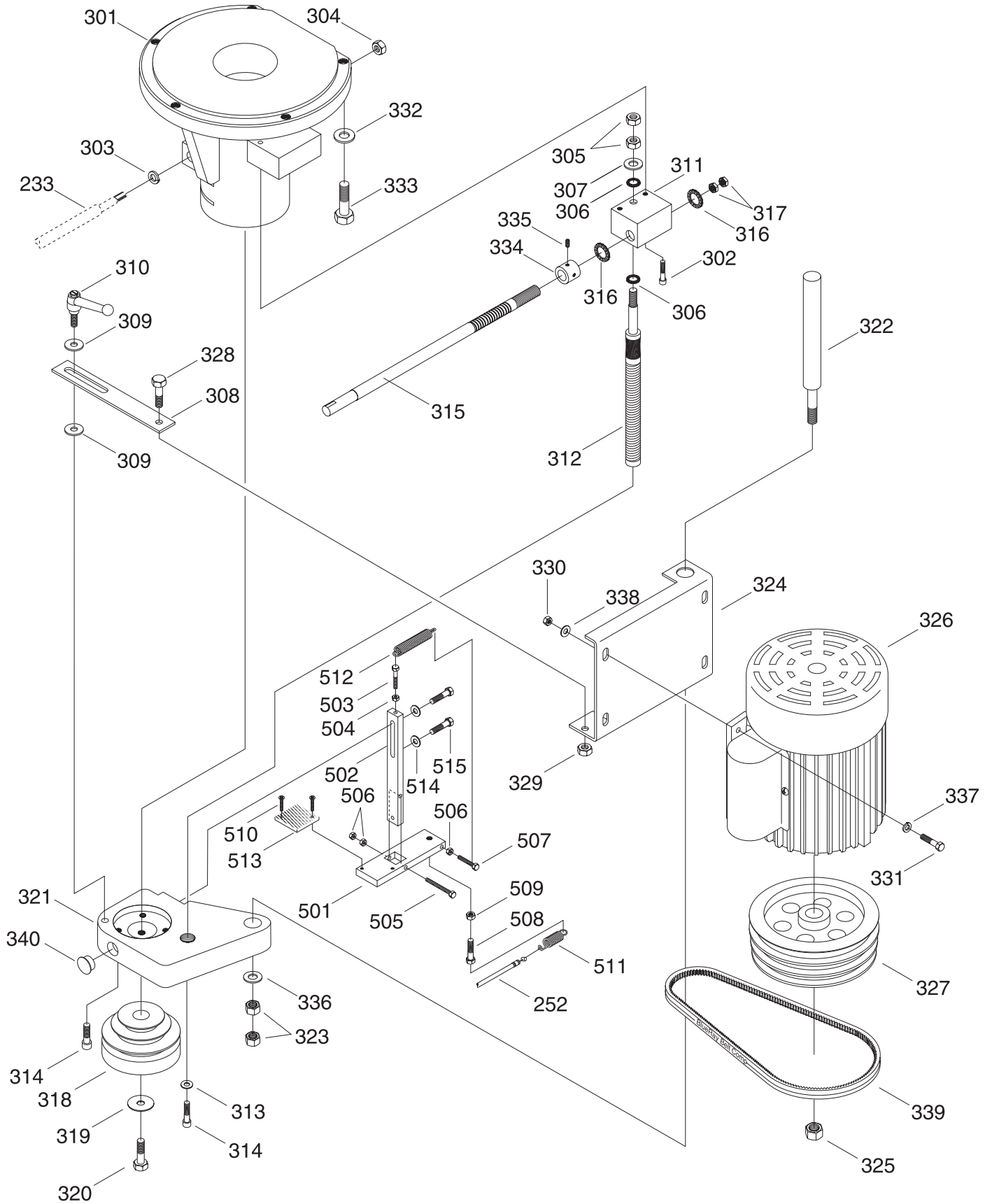


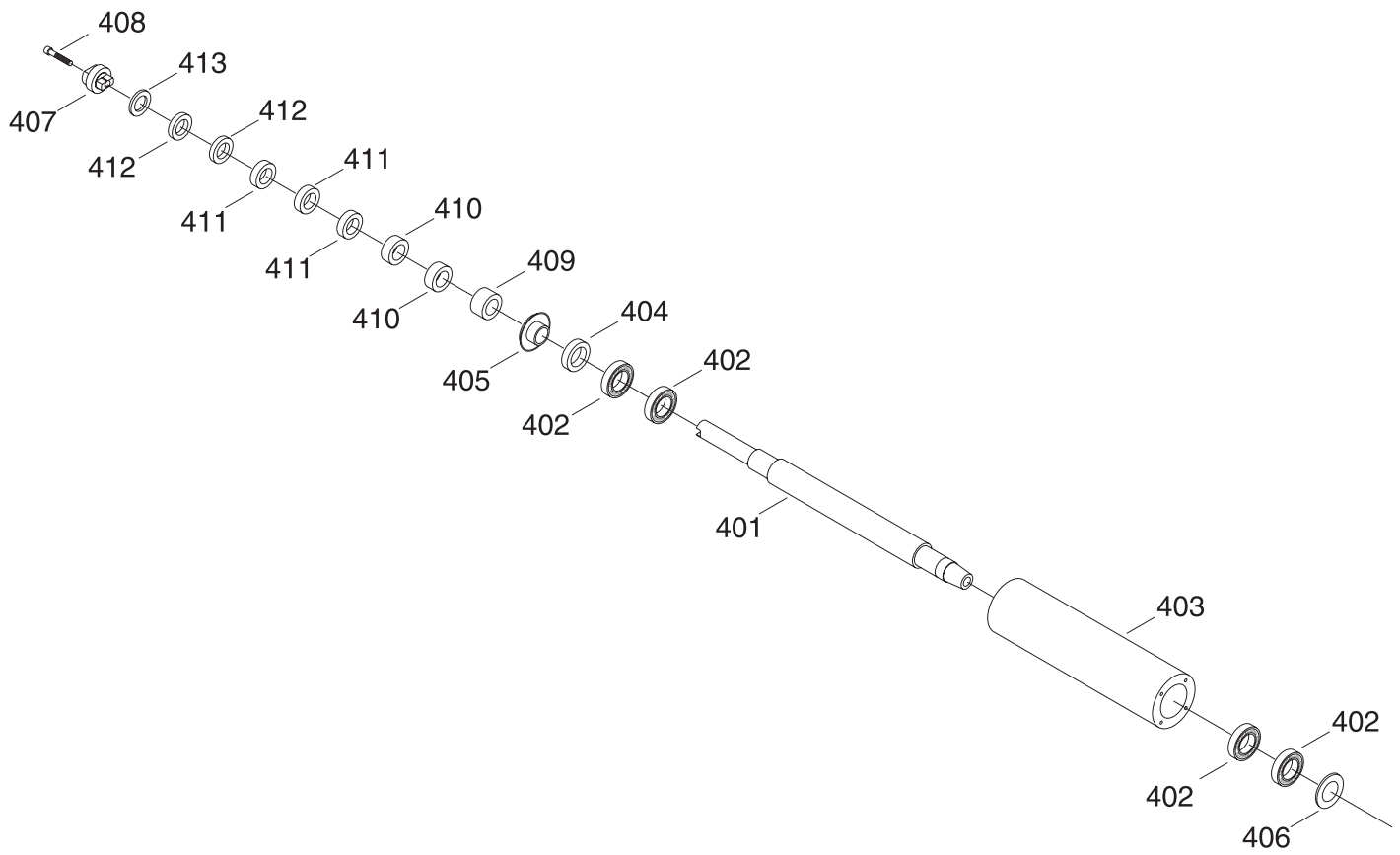
G9862 Control Panel

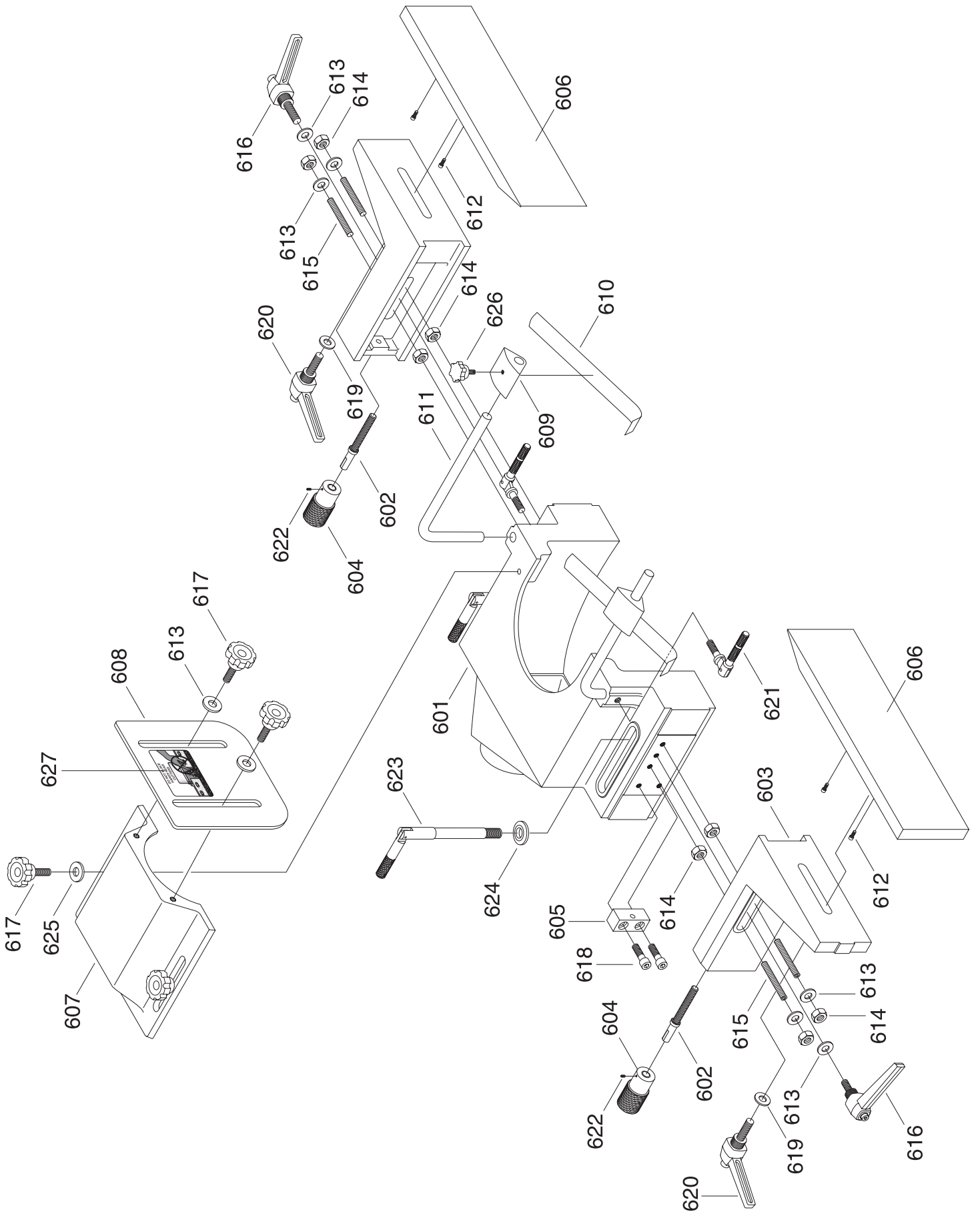
Table for G9862











REF	PART #	DESCRIPTION
101	P9968101	TABLE FOR G9968
102	P9968102	TABLE INSERT LARGE
103	P9968103	TABLE INSERT SMALL
104	P9968104	SPRING PLATE
105	P9968105	BRACKET SUPPORT
106	P9968106	HEX BOLT M12-1.75 X 60
107	P9968107	FLAT WASHER 12MM
108	P9968108	EXTENSION TABLE (SET)
109	P9968109	IRON FRAME
110	P9968110	TABLE MOTION BAR
111	P9968111	WASHER
112	P9968112	HEX BOLT M12-1.75 X 50
113	P9968113	FLAT WASHER 1/2
114	P9968114	LOCK WASHER 12MM
115	P9968115	FLAT WASHER 12MM
116	P9968116	CAP SCREW M12-1.75 X 25
117	P9968117	START HANDLE
201	P9968201	BASE
202	P9968202	SWITCH PLATE
203	P9968203	SWITCH PLATE
204	P9968204	FLANGE
205	P9968205	COVER
206	P9968206	COVER
207	P9968207	FLAT WASHER 1/2
208	P9968208	HEX BOLT M12-1.75 X 20
209	P9968209	FOOT PEDAL
210	P9968210	HAND WHEEL
211	P9968211	FWD/REV SWITCH
212	P9968212	POWER SOURCE LIGHT
213	P9968213	BUTTON SWITCH GREEN
214	P9968214	EMERGCY STOP BUTTON
215	P9968215	LOCK KNOB
216	P9968216	LOCK
217	P9968217	HEX NUT M12-1.75
218	P9968218	BOLT
219	P9968219	LOCK WASHER 1/2
220	P9968220	HEX NUT 1/2-12
221	P9968221	FLAT IRON PLATE
222	P9968222	HEX BOLT 3/8-16 X 3/4
223	P9968223	HEX NUT 3/8-16
224	P9968224	HEX BOLT 3/8-16 X 1-3/4
225	P9968225	MICRO SWITCH PLATE
226	P9968226	MICRO SWITCH
227	P9968227	HEX NUT M6-1
228	P9968228	LOCK WASHER 1/4
229	P9968229	CAP SCREW M6-1 X 20
230	P9968230	CAP SCREW M8-1.25 X 10
231	P9968231	HEX BOLT M8-1.25 X 25
232	P9968232	HEX NUT M8-1.25
233	P9968233	LOCKING KNOB
234	P9968234	PHLP HD SCR M6-1 X 10
235	P9968235	ID LABEL-G9968
236	P9968236	UNPLUG LABEL
237	P9968237	SAFETY GLASSES LABEL
238	P9968238	READ MANUAL LABEL
239	P9968239	HANDLE SCREW

REF	PART #	DESCRIPTION
240	P9968240	BALL TYPE KNOB
241	P9968241	HEX NUT
242	P9968242	MAG SWITCH
243	P9968243	MOTOR/SWITCH CORD
244	P9968244	SWITCH/POWER CORD
245	P9968245	FRONT COVER
246	P9968246	HINGE SHAFT
247	P9968247	GRIZZLY LOGO PLATE
248	P9968248	INDUST SHAPER LABEL
249	P9968249	DON'T OPEN LABEL
250	P9968250	ELECTRIC BOX BASE
251	P9968251	STRAIN RELIEF
252	P9968252	BRAKE WIRE
253	P9968253	HEX BOLT
254	P9968254	HEX NUT
257	P9968257	MAG SWITCH SCREW
301	P9968301	HOUSING
302	P9968302	CAP SCREW M8-1.25 X 50
303	P9968303	LOCK WASHER 1/2
304	P9968304	HEX NUT M12-1.75
305	P9968305	HEX NUT 1/2-12
306	P9968306	THRUST BEARING 2902ZZ
307	P9968307	FLAT WASHER 5/8
308	P9968308	MOTOR FASTENING
309	P9968309	FLAT WASHER 12MM
310	P9968310	KNOB
311	P9968311	ELEVATION WORM BOX
312	P9968312	ELEVATION SCREW
313	P9968313	FLAT WASHER 3/8
314	P9968314	CAP SCREW M10-1.5 X 40
315	P9968315	BAR
316	P9968316	BEARING 51104ZZ
317	P9968317	HEX NUT
318	P9968318	SPINDLE PULLEY
319	P9968319	WASHER
320	P9968320	HEX BOLT M12-1.75 X 30
321	P9968321	MOTOR MOUNT
322	P9968322	MOTOR FRAME SHAFT
323	P9968323	HEX NUT 5/8-11
324	P9968324	MOTOR MOUNT
325	P9968325	HEX NUT 3/4-10
326	P9968326	MOTOR
327	P9968327	MOTOR PULLEY
328	P9968328	HEX BOLT M12-1.75 X 20
329	P9968329	HEX NUT M12-1.75
330	P9968330	HEX NUT M10-1.5
331	P9968331	HEX BOLT M10-1.5 X 25
332	P9968332	WASHER 16MM
333	P9968333	HEX BOLT M16-2 X 50
334	P9968334	SLEEVE
335	P9968335	SCREW M6-1 X 6
336	P9968336	LOCK WASHER 1/4
337	P9968337	LOCK WASHER 3/8
338	P9968338	FLAT WASHER 3/8
339	P9968339	V-BELT 20 X 10 X 1085MM

REF	PART #	DESCRIPTION
401	P9968401	MAIN SPINDLE
402	P9968402	BEARING 7008C
403	P9968403	SHAFT HOUSING
404	P9968404	SPINDLE COVER (L)
405	P9968405	SPINDLE UP COVER
406	P9968406	SPINDLE DOWN COVER
407	P9968407	SPINDLE NUT
408	P9968408	CAP SCREW M14-2 X 50
409	P9968409	RUB COLLAR 1-1/4 X 1-1/4
410	P9968410	RUB COLLAR 1-1/4 X 3/4
411	P9968411	RUB COLLAR 1-1/4 X 5/8
412	P9968412	RUB COLLAR 1-1/4 X 3/8
413	P9968413	RUB COLLAR
414	P9968414	BALL BEARING 6008-OPEN
501	P9968501	BRAKE PLATE
502	P9968502	BRAKE PLATE SHAFT
503	P9968503	HEX BOLT M6-1 X 25
504	P9968504	HEX NUT M6-1
505	P9968505	HEX BOLT 1/4-20 X 2-1/4
506	P9968506	HEX NUT 1/4-20
507	P9968507	HEX BOLT 1/4-20 X 1-1/2
508	P9968508	HEX BOLT 3/8-16 X 1-1/2
509	P9968509	HEX NUT 3/8-16
510	P9968510	PLATE HEAD BOLT
511	P9968511	SPRING
512	P9968512	SPRING
513	P9968513	BRAKE PAD
514	P9968514	FLAT WASHER 3/8

REF	PART #	DESCRIPTION
515	P9968515	HEX BOLT M10-1.5 X 30
601	P9968601	FENCE HOUSING
602	P9968602	SPECIAL SCREW
603	P9968603	FENCE MOUNT
604	P9968604	SCREW SEAT
605	P9968605	PLATE
606	P9968606	FENCE PLATE
607	P9968607	FENCE FRAME GUARD
608	P9968608	SAFETY COVER
609	P9968609	RETAINER
610	P9968610	HOLD-DOWN
611	P9968611	HOLD-DOWN BAR
612	P9968612	CAP SCREW 3/8-16 X 3/4
613	P9968613	FLAT WASHER 3/8
614	P9968614	HEX NUT M10-1.5
615	P9968615	SET BOLT M10-1.5 X 80
616	P9968616	KNOB
617	P9968617	LOCK KNOB
618	P9968618	HEX BOLT M10-1.5 X 25
619	P9968619	FLAT WASHER 1/2
620	P9968620	KNOB 1/2-12
621	P9968621	MOVABLE BOLT
622	P9968622	CAP SCREW M8-1.25 X 10
623	P9968623	MOVABLE BOLT
624	P9968624	FLAT WASHER 5/8
625	P9968625	FLAT WASHER 1/2
626	P9968626	KNOB
627	P9968627	GUARD LABEL