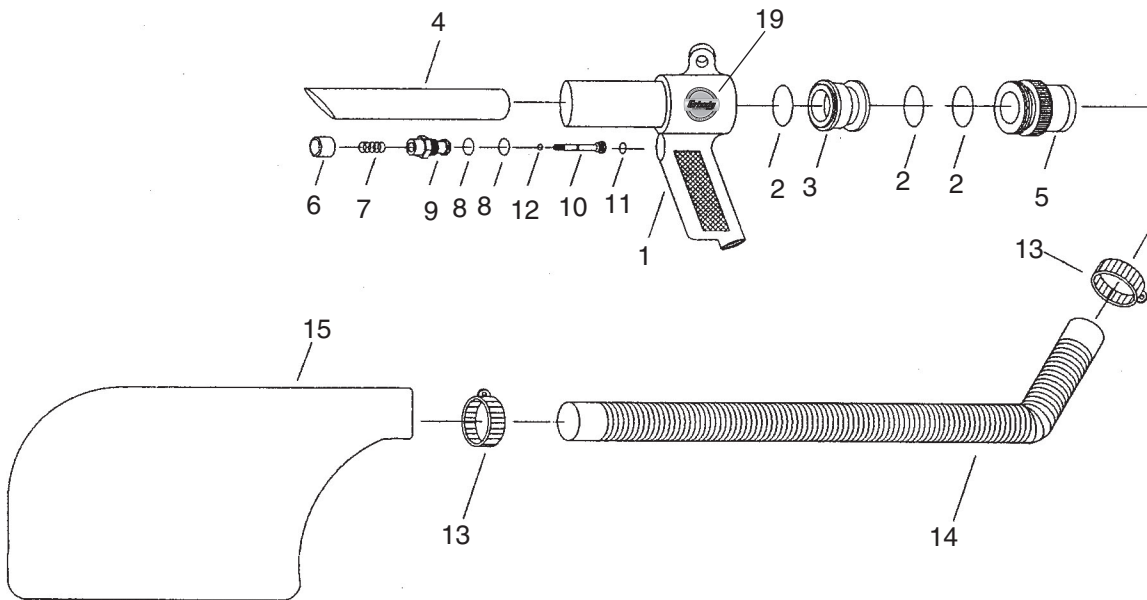


## Operation

1. Connect the vacuum to compressed air.
2. Pull the trigger to operate the vacuum. Empty the dust collection bag as needed.

If you need help with your new pneumatic tool, call our Tech Support at: (570) 546-9663.

## H0587 Parts Breakdown and List



REF	PART #	DESCRIPTION
1	PH0587001	HOUSING
2	POR0029	O-RING 29.8 X 2.6
3	PH0587003	VALVE
4	PH0587004	EXTENSION TUBE
5	PH0587005	END CAP
6	PH0587006	BUTTON
7	PH0587007	COMPRESSION SPRING
8	PORP008	O-RING 7.8 X 1.9 P8

REF	PART #	DESCRIPTION
9	PH0587009	VALVE SEAT
10	PH0587010	VALVE STEM
11	PORP003	O-RING 2.8 X 1.9 P3
12	PORP020	O-RING 19.8 X 2.4 P20
13	PH0587013	HOSE CLAMP
14	PH0587014	FLEXIBLE TUBE
15	PH0587015	DUST BAG
19	PH0587019	GRIZZLY AIR TOOLS LABEL