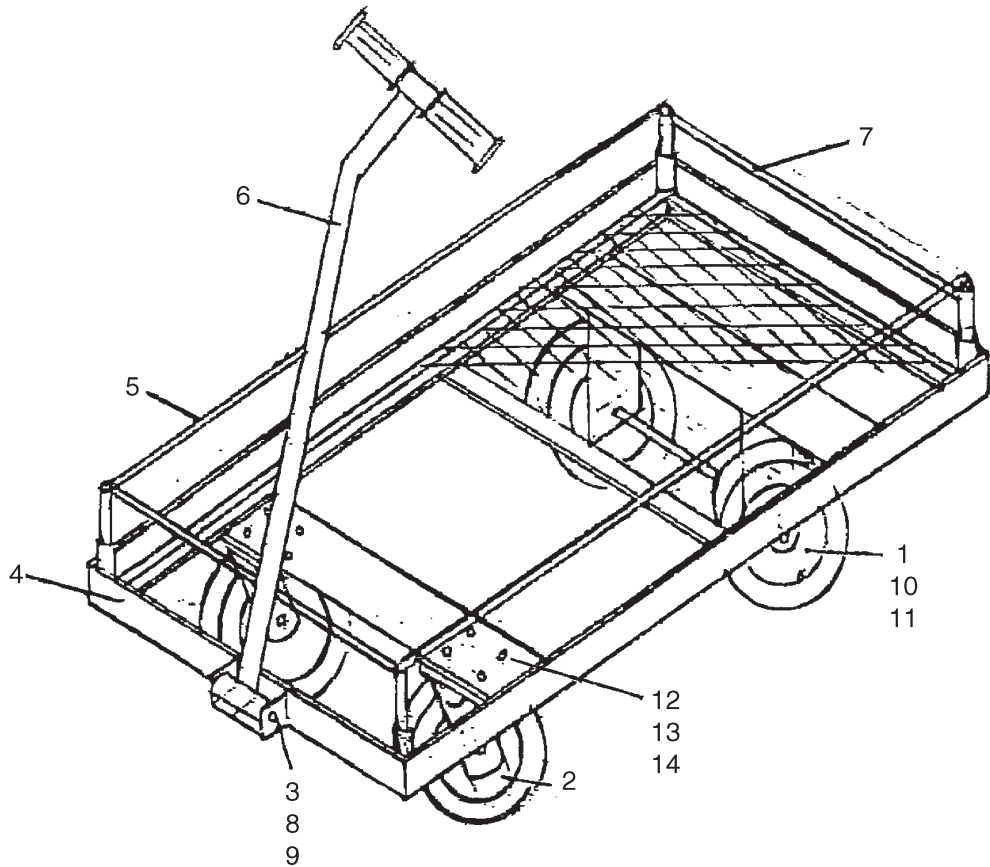


H3030 Parts Breakdown and List



1	PH3030001	FIXED WHEEL 2.5 X 4
2	PH3030002	SWIVEL WHEEL 2.5 X 4
3	PB124M	HEX BOLT M8-1.25 X 90
4	PH3030004	BASE
5	PH3030005	LONG BAR
6	PH3030006	HANDLE
7	PH3030007	SHORT BAR

8	PW01M	FLAT WASHER 8MM
9	PLW04M	LOCK WASHER 8MM
10	PH3030010	COTTER PIN 3 X 35MM
11	PW08M	FLAT WASHER 16MM
12	PLW06M	LOCK WASHER 10MM
13	PW04M	FLAT WASHER 10MM
14	PB32M	HEX BOLT M10-1.5 X 25

COPYRIGHT © JUNE, 2004 BY GRIZZLY INDUSTRIAL, INC.
**WARNING: NO PORTION OF THIS MANUAL MAY BE REPRODUCED IN ANY SHAPE
 OR FORM WITHOUT THE WRITTEN APPROVAL OF GRIZZLY INDUSTRIAL, INC.**
 #TR6380 PRINTED IN CHINA