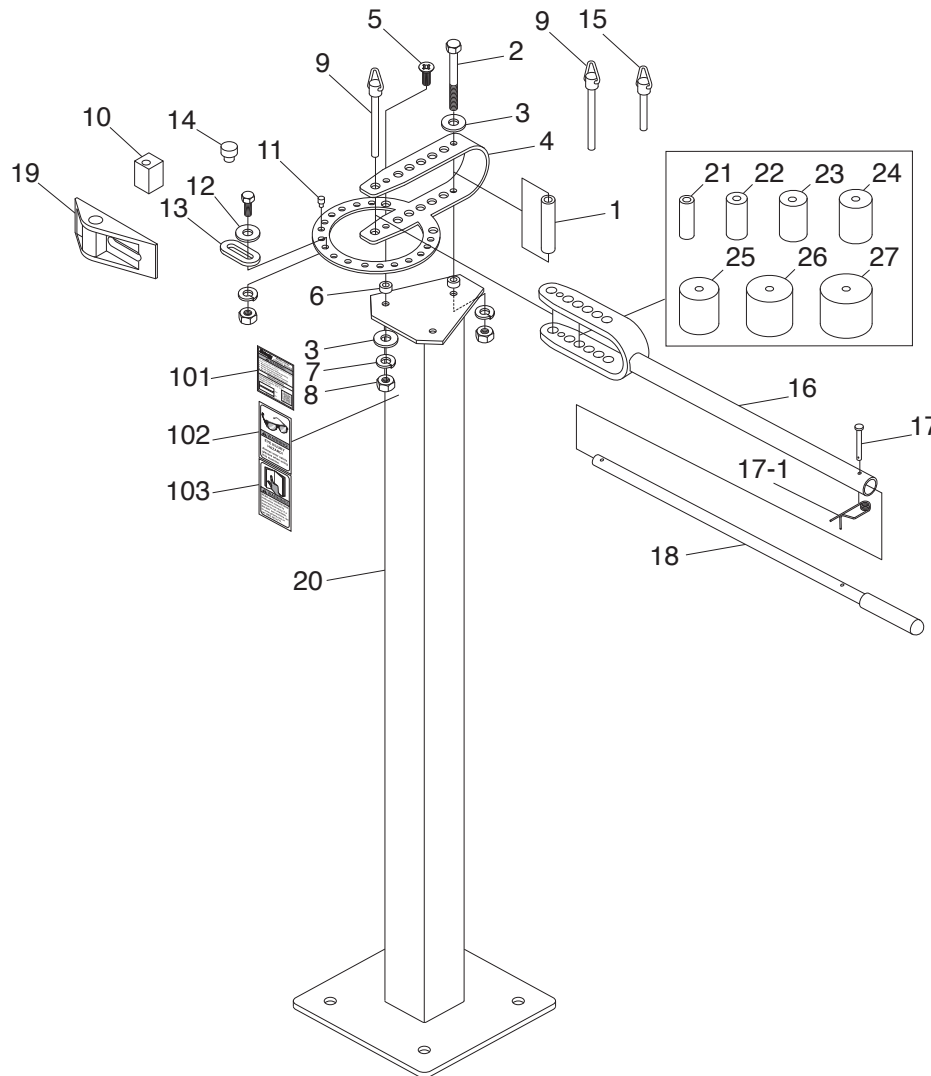


H3184 Breakdown and Parts List



REF	PART #	DESCRIPTION
1	PH3184001	SPACER 70 X 25 X 10
2	PH3184002	HEX BOLT M10-1.5 X 120
3	PH3184003	FLAT WASHER 10MM
4	PH3184004	BENDING BRACKET
5	PH3184005	FLAT HD SCR M10-1.5 X 35
6	PH3184006	SPACER 8 X 16 X 11
7	PH3184007	LOCK WASHER 10MM
8	PH3184008	HEX NUT M10-1.5
9	PH3184009	HITCH PIN 100 X 14
10	PH3184010	STOP BLOCK
11	PH3184011	FIXED STOP
12	PH3184012	HEX BOLT M10-1.5 X 30
13	PH3184013	ADJUSTABLE STOP
14	PH3184014	STOP BLOCK SUPPORT PIN
15	PH3184015	HITCH PIN 75 X 14
16	PH3184016	HANDLE EXTENSION ARM

REF	PART #	DESCRIPTION
17	PH3184017	CLEVIS PIN W/COTTER PIN
17-1	PH3184017-1	HAIRPIN COTTER PIN
18	PH3184018	HANDLE
19	PH3184019	SHARP ANGLE BEND ATTACHMENT
20	PH3184020	BASE
21	PH3184021	DIE 1"
22	PH3184022	DIE 1-1/4"
23	PH3184023	DIE 1-1/2"
24	PH3184024	DIE 1-3/4"
25	PH3184025	DIE 2"
26	PH3184026	DIE 2-1/2"
27	PH3184027	DIE 3"
101	PH3184101	MACHINE ID LABEL
102	PH3184102	READ MANUAL LABEL 2W X 3.3H
103	PH3184103	SAFETY GLASSES LABEL 2W X 3.3H

