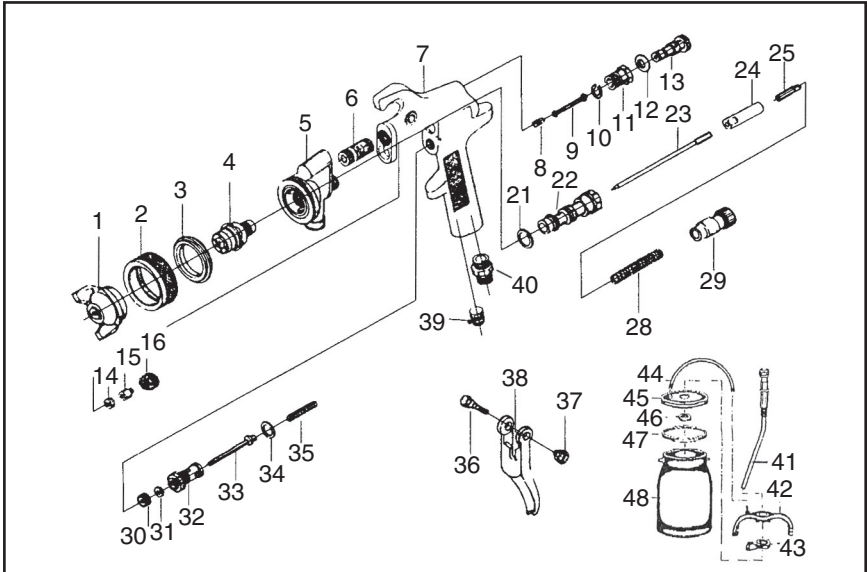


Parts Breakdown H3253



REF	PART #	DESCRIPTION
1	PH3253001	AIR NOZZLE
2	PH3253002	BRASS RING
3	PH3253003	ZINC RING
4	PH3253004	FLUID NOZZLE
5	PH3253005	HEAD
6	PH3253006	SCREW
7	PH3253007	BODY
8	PH3253008	STEM
9	PH3253009	STEM
10	PH3253010	SNAP RING
11	PH3253011	HOUSING
12	PH3253012	O-RING
13	PH3253013	SCREW
14	PH3253014	WASHER
15	PH3253015	PACKING
16	PH3253016	NUT
21	PH3253021	GASKET
22	PH3253022	HOUSING
23	PH3253023	LOCKNUT
24	PH3253024	LOCKNUT
25	PH3253025	LOCKNUT
28	PH3253028	COMPRESSION SPRING
29	PH3253029	BODY

REF	PART #	DESCRIPTION
30	PH3253030	NUT
31	PH3253031	PACKING
32	PH3253032	BODY
33	PH3253033	VALVE
34	PH3253034	GASKET
35	PH3253035	COMPRESSION SPRING
36	PH3253036	TRIGGER SCREW
37	PH3253037	TRIGGER STUD
38	PH3253038	TRIGGER
39	PH3253039	SCREW
40	PH3253040	CONNECTION
41	PH3253041	FEED TUBE ASSEMBLY
42	PH3253042	YOKE ASSEMBLY
43	PH3253043	CAP LOCK
44	PH3253044	DRIP TUBE
45	PH3253045	CUP LID ASSEMBLY
46	PH3253046	NUT
47	PH3253047	CUP GASKET
48	PH3253048	CUP
49*	PH3253049	SERVICE WRENCH
50*	PH3253050	CLEANING BRUSH
51*	PH3253051	HOSE FITTING 1/4" NPT

*Not shown in parts breakdown