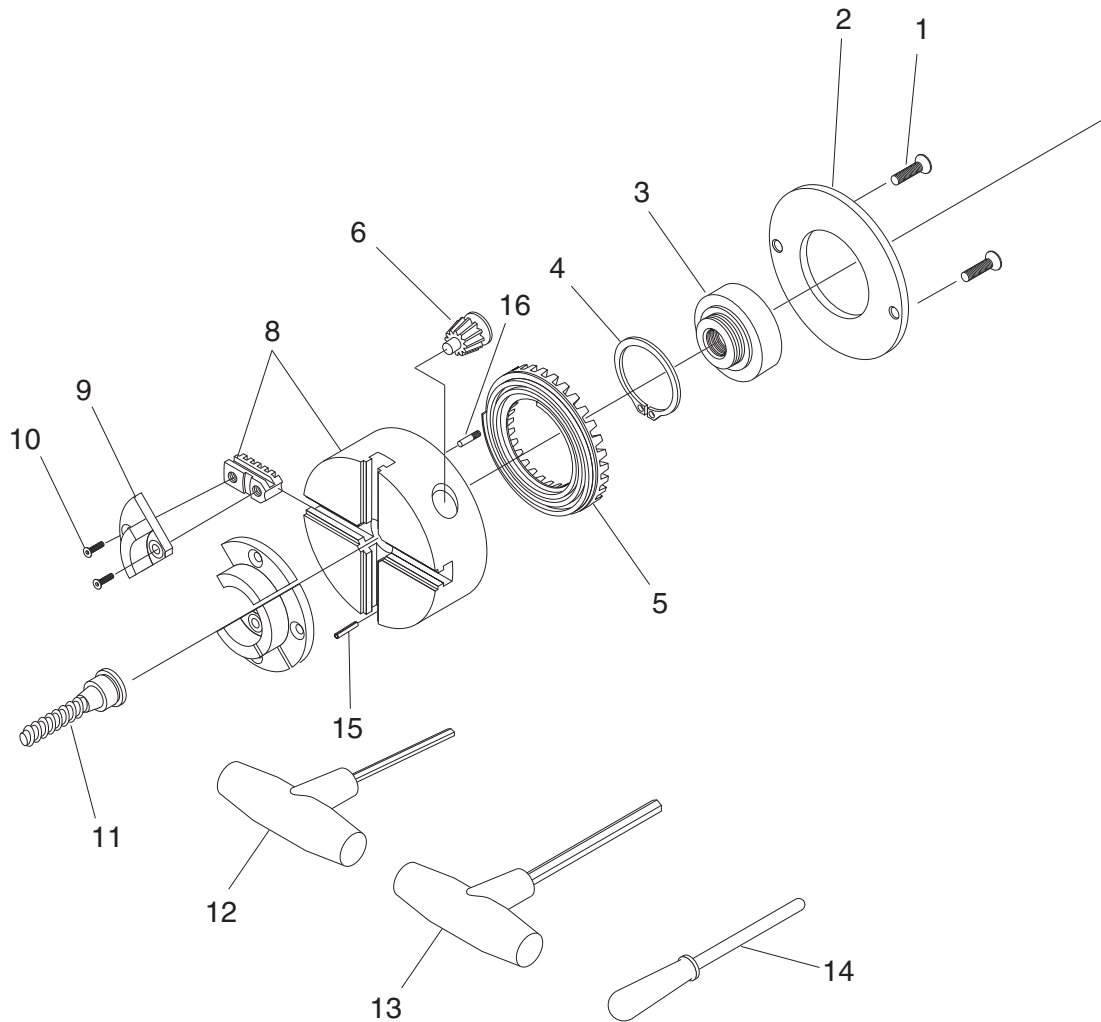


H6264, H6265, H6266, H6267, H7820 Parts Breakdown and List



REF	PART #	DESCRIPTION
1	PFH31M	FLAT HD SCR M4-.7 X 8
2	PH6264002	BACKING PLATE
3	PH6264003	3/4-16 INSERT (H6264)
3	PH6265003	1-8 INSERT (H6265)
3	PH6266003	1-12 INSERT (H6266)
3	PH6267003	1-1/4-8 INSERT (H6267)
3	PH7820003	1-1/2-8 INSERT (H7820)
4	PR43M	EXT RETAINING RING 50MM
5	PH6264005	SCROLL RING
6	PH6264006	PINION

REF	PART #	DESCRIPTION
8	PH6264008	BACKING JAWS W/CHUCK BODY
9	PH6264009	CHUCK JAWS (QTY 4)
10	PH6266010	TAPER HEAD SCREW M5-.8 X 10
11	PH6264011	WOOD SCREW (SPECIAL)
12	PH6264012	T-HANDLE HEX WRENCH 3MM
13	PH6264013	T-HANDLE HEX WRENCH 8MM
14	PH6264014	INSERT LEVER
15	PH6264015	STOP PIN
16	PH6264016	LOCK PIN M5-.8 X 6 X 20