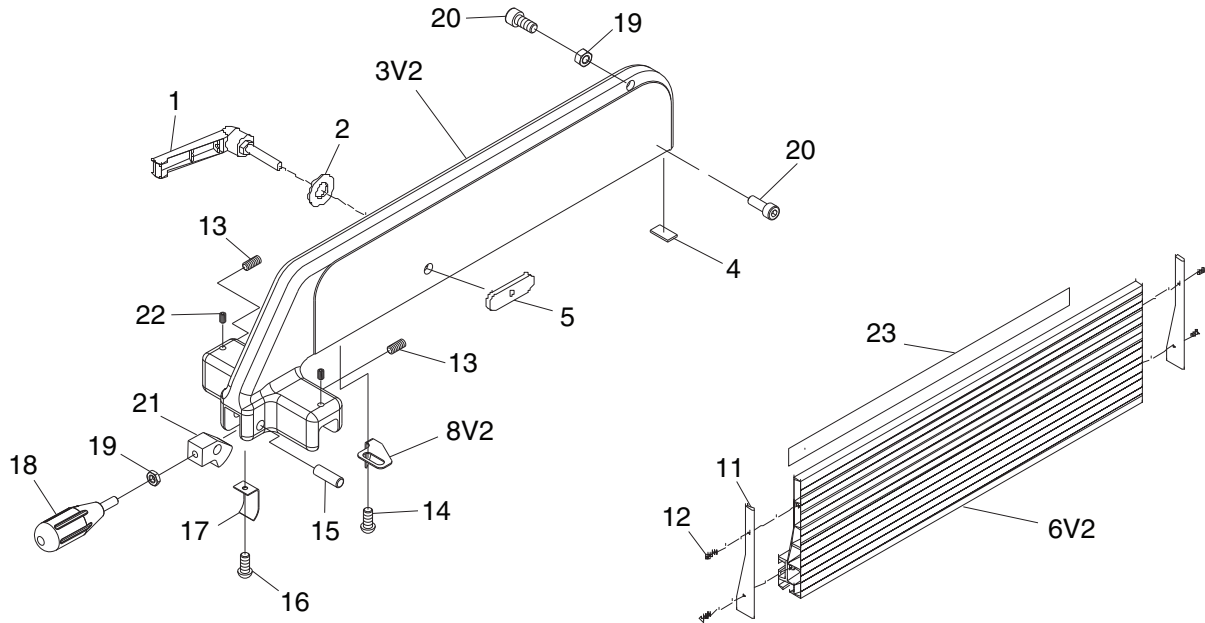




COMPLETE RESAW FENCE FOR G0566/G0568 MODEL H7529

For Models Manufactured Since 2/13



REF	PART #	DESCRIPTION
1	PH7528004	ADJUSTABLE HANDLE M8-1.25 X 45
2	PW01M	FLAT WASHER 8MM
3V2	P0568155V2	FENCE V2.08.10
4	P0568296V2	NYLON PAD V2.08.10
5	PH7528002	MOVING PLATE
6V2	P0513X2F350-1	ALUMINUM RESAW FENCE 590MM
8V2	P0566157	POINTER
11	PH7528005	END COVER 148 X 22 X 1
12	PHTEK3M	TAP SCREW M3.5 X 8
13	PSS14M	SET SCREW M8-1.25 X 12

REF	PART #	DESCRIPTION
14	PFS01M	FLANGE SCREW M5-.8 X 8
15	P0568155V2-9	SHAFT V2.08.10
16	PFS17M	FLANGE SCREW M4-.7 X 8
17	P0568155V2-4	SPRING PIECE
18	P0568156V2	HANDLE V2.08.10
19	PN03M	HEX NUT M8-1.25
20	PB09M	HEX BOLT M8-1.25 X 20
21	P0568155V2-6	PIVOT BLOCK V2.08.10
22	P0568155V2-10	PLASTIC SET SCREW M7-1 X 10
23	P0513X2B156-4	RESAW FENCE SCALE

COPYRIGHT © JUNE, 2005 BY GRIZZLY INDUSTRIAL, INC., REVISED APRIL, 2013 (TS)
**WARNING: NO PORTION OF THIS MANUAL MAY BE REPRODUCED IN ANY SHAPE
OR FORM WITHOUT THE WRITTEN APPROVAL OF GRIZZLY INDUSTRIAL, INC.**
#TR7283 PRINTED IN TAIWAN