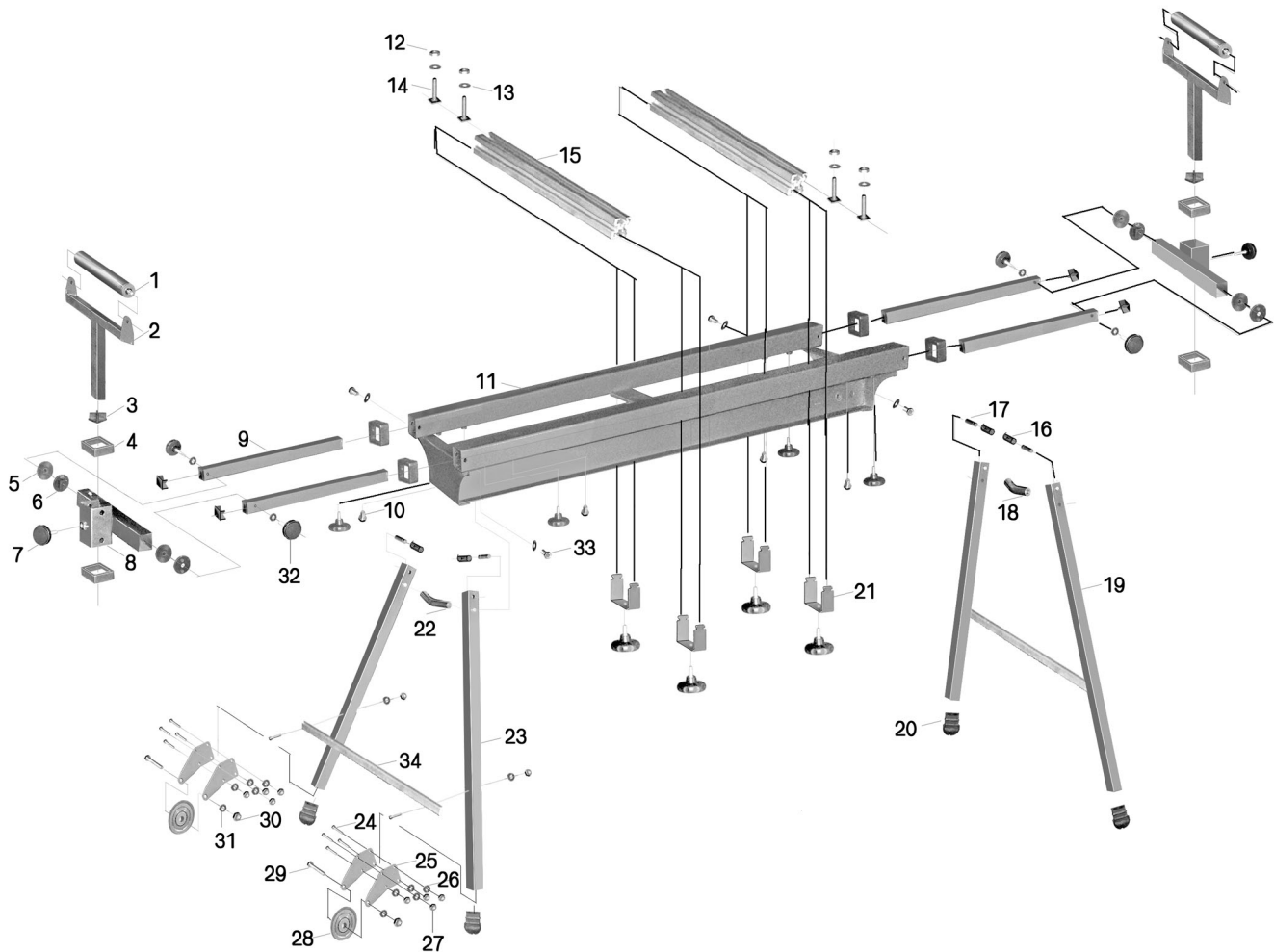


H7657 Parts Breakdown and List



REF	PART #	DESCRIPTION
1	PH7657001	ROLLER
2	PH7657002	SUPPORT
3	PH7657003	END PLUG
4	PH7657004	BUSHING
5	PH7657005	OUTSIDE GEAR
6	PH7657006	INSIDE GEAR
7	PH7657007	LOCK KNOB M8-1.25 X 20
8	PH7657008	ROLLER CROSSBAR
9	PH7657009	EXTENSION ARMS
10	PB06M	HEX BOLT M8-1.25 X 12
11	PH7657011	STAND
12	PN03M	HEX NUT M8-1.25
13	PH7657013	FENDER WASHER 8MM
14	PB22M	HEX BOLT M8-1.25 X 50
15	PH7657015	T-TRACK
16	PH7657016	COMPRESSION SPRING
17	PH7657017	PIN

REF	PART #	DESCRIPTION
18	PH7657018	SMALL AXLE
19	PH7657019	RIGHT LEG
20	PH7657020	FOOT
21	PH7657021	T-TRACK LOCKING PLATE
22	PH7657022	BIG AXLE
23	PH7657023	LEFT LEG
24	PB71M	HEX BOLT M6-1 X 45
25	PH7657025	WHEEL BRACKET
26	PW03M	FLAT WASHER 6MM
27	PN01M	HEX NUT M6-1
28	PH7657028	WHEEL
29	PB118M	HEX BOLT M8-1.25 X 45
30	PLN04M	LOCK NUT M8-1.25
31	PW01M	FLAT WASHER 8MM
32	PH7657032	LOCK KNOB M8-1.25 X 80
33	PB03M	HEX BOLT M8-1.25 X 16
34	PH7657034	SUPPORT BRACE