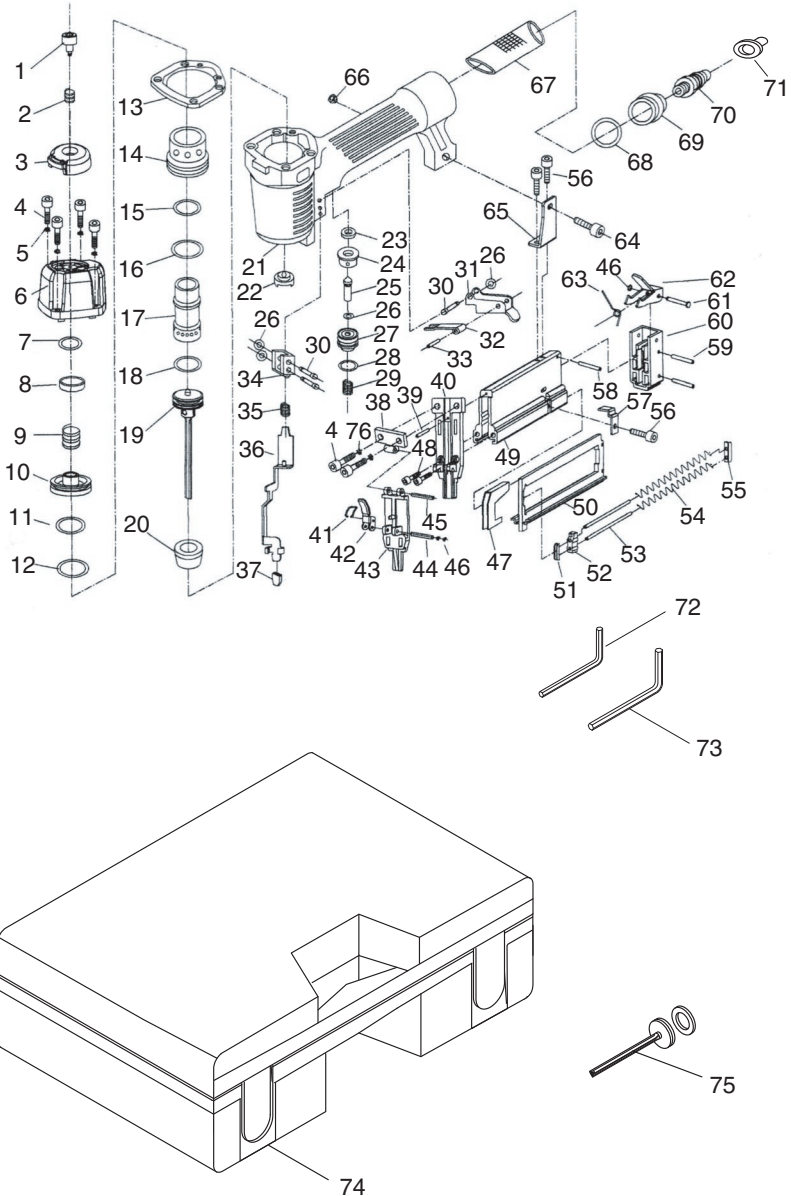


H7678 PARTS BREAKDOWN



H7678 PARTS LIST

REF	PART #	DESCRIPTION
1	PH7678001	SPECIAL CAP SCR M6-1 X 5
2	PH7678002	COMPRESSION SPRING
3	PH7678003	AIR DEFLECTOR
4	PSB15M	CAP SCREW M5-.8 X 20
5	PW02M	FLAT WASHER 5MM
6	PH7678006	CYLINDER COVER
7	PH7678007	O-RING 14 X 2
8	PH7678008	SEALING WASHER
9	PH7678009	COMPRESSION SPRING
10	PH7678010	SWITCH VALVE PISTON
11	PH7678011	O-RING 31 X 2
12	PH7678012	O-RING 26 X 3
13	PH7678013	SEALING GASKET
14	PH7678014	COLLAR
15	PH7678015	O-RING
16	PH7678016	O-RING
17	PH7678017	CYLINDER
18	PH7678018	O-RING 21 X 2.5
19	PH7678019	PISTON ASSEMBLY
20	PH7678020	BUMPER
21	PH7678021	GUN BODY
22	PH7678022	RUBBER WASHER
23	PH7678023	RECTANGULAR WASHER
24	PH7678024	TRIGGER VALVE SEAT
25	PH7678025	TRIGGER VALVE STEM
26	PH7678026	O-RING 2.9 X 1.75
27	PH7678027	TRIGGER VALVE GUIDE
28	PH7678028	O-RING 11 X 1.85
29	PH7678029	COMPRESSION SPRING
30	PH7678030	PIN 2.8 X 30
31	PH7678031	TRIGGER
32	PH7678032	SAFETY SPACER
33	PH7678033	ROLL PIN 2.8 X 16
34	PH7678034	SAFETY STAND
35	PH7678035	COMPRESSION SPRING
36	PH7678036	SAFETY STAND
37	PH7678037	NOSE HEAD
38	PH7678038	BAFFLE

REF	PART #	DESCRIPTION
39	PRP15M	ROLL PIN 3 X 8
40	PH7678040	DRIVER GUIDE
41	PH7678041	QUICK RELEASE HANDLE
42	PH7678042	QUICK RELEASE LATCH
43	PH7678043	NOSE COVER
44	PH7678044	PIN 3 X 18
45	PH7678045	PIN 3 X 18
46	PEC01M	E-CLIP 3MM
47	PH7678047	THIMBLE
48	PSB16M	CAP SCREW M4-.7 X 16
49	PH7678049	MAGAZINE
50	PH7678050	MAGAZINE PUSHER
51	PH7678051	FIXED BLOCK
52	PH7678052	PUSHER
53	PH7678053	PUSHER PIPE
54	PH7678054	COMPRESSION SPRING
55	PH7678055	FIXED SEAT
56	PSB110M	CAP SCREW M4-.7 X 6
57	PH7678057	BAFFLE
58	PH7678058	ROLL PIN 3 X 16
59	PH7678059	ROLL PIN 3 X 22
60	PH7678060	FIXED SEAT
61	PH7678061	PIN 3 X 25
62	PH7678062	CATCH LEVER
63	PH7678063	TORSION SPRING
64	PSB16M	CAP SCREW M4-.7 X 16
65	PH7678065	SUPPORT SEAT
66	PLN01M	LOCK NUT M4-.7
67	PH7678067	RUBBER HANDLE
68	PH7678068	O-RING
69	PH7678069	END CAP
70	PH7678070	1/4" NPT MALE CONNECT
71	PH7678071	AIR PLUG COVER
72	PAW03M	HEX WRENCH 3MM
73	PAW04M	HEX WRENCH 4MM
76	PLW01M	LOCK WASHER 5MM
74	PH7678074	CARRYING CASE
75	PH7678075	PISTON REPAIR KIT