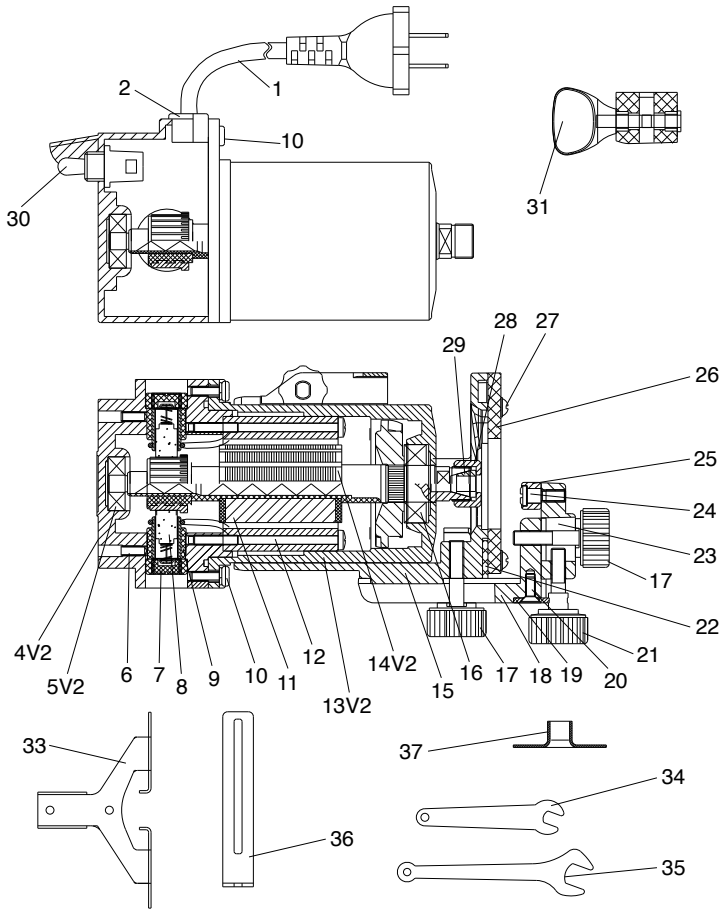


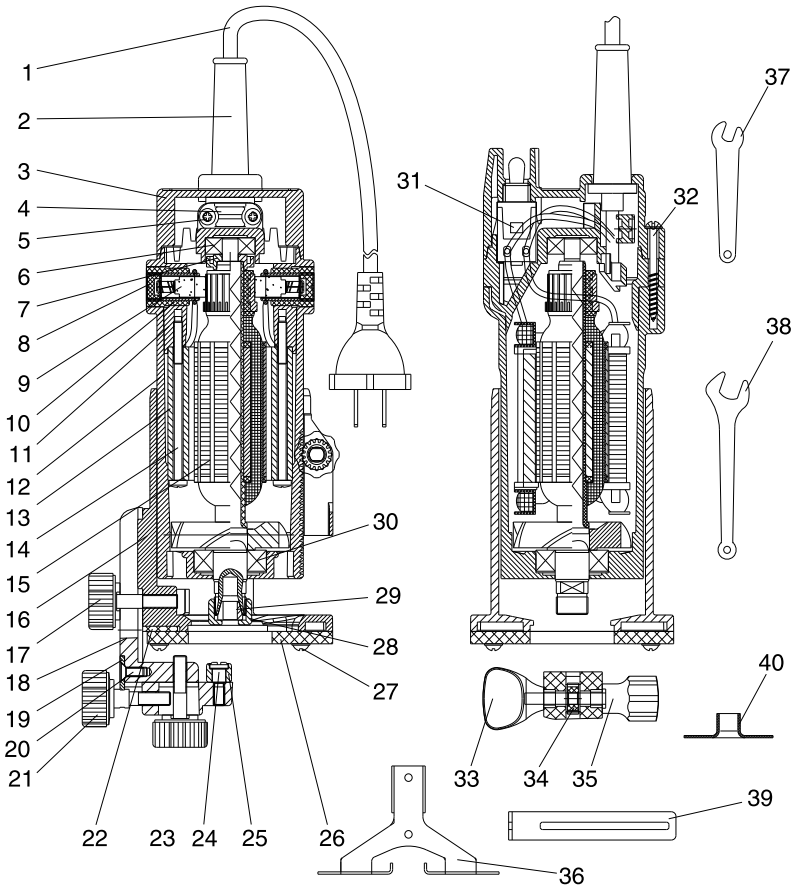
H7790 Parts Breakdown



REF	PART #	DESCRIPTION
1	PH7790001	POWER CORD 16G X 3W 73"L
2	PH7790002	STRAIN RELIEF
4V2	PH7790004V2	BACK COVER V2.03.18
5V2	PH7790005V2	BALL BEARING 608-2RS V2.03.18
6	PH7790006	SET SCREW M4-.7 X 10
7	PH7790007	BRUSH COVER
8	PH7790008	CARBON BRUSH
9	PH7790009	BRUSH TUBE
10	PH7790010	PHLP HD SCR M4-.7 X 12
11	PH7790011	STATOR
12	PH7790012	PHLP HD SCR M4-.7 X 60
13V2	PH7790013V2	SHELL V2.03.18
14V2	PH7790014V2	ROTOR V2.03.18
15	PH7790015	OUTSIDE COVER
16	PH7790016	BALL BEARING 6200ZZ
17	PH7790017	LOCK KNOB M6-1 X 25
18	PH7790018	TRIM GUIDE BRACKET
19	PH7790019	KNOB RETAINER

REF	PART #	DESCRIPTION
20	PH7790020	FLAT HD SCR M4-.7 X 10
21	PH7790021	ADJUSTING KNOB M6-1 X 20
22	PH7790022	BLOCK
23	PH7790023	TRIM GUIDE PLATE
24	PH7790024	SHOULDER SCREW M5-.8 X 11
25	PH7790025	BUSHING
26	PH7790026	BASE PLATE
27	PH7790027	TAP SCREW M4 X 10
28	PH7790028	COLLET NUT
29	PH7790029	COLLET
30	PH7790030	SWITCH
31	PH7790031	CLASPING KNOB
33	PH7790033	STRAIGHT GUIDE
34	PH7790034	WRENCH 10MM
35	PH7790035	WRENCH 17MM
36	PH7790036	GUIDE ADJ BRACKET
37	PH7790037	TEMPLATE GUIDE

H7791 Parts Breakdown



REF	PART #	DESCRIPTION
1	PH7791001	POWER CABLE
2	PH7791002	CABLE JACKET
3	PH7791003	BACK COVER
4	PH7791004	CABLE CLAMP
5	PH7791005	PHLP HD SCR M4-.7 X 16
6	PH7791006	BALL BEARING 627ZZ
7	PH7791007	BEARING GASKET
8	PH7791008	BRUSH TUBE
9	PH7791009	BRUSH COVER
10	PH7791010	CARBON BRUSH
11	PH7791011	MID COVER
12	PH7791012	SHELL
13	PH7791013	STATOR
14	PH7791014	PHLP HD SCR M4-.7 X 70
15	PH7791015	ROTOR
16	PH7791016	OUTSIDE COVER
17	PH7791017	LOCK KNOB M6-1 X 25
18	PH7791018	TRIM GUIDE BRACKET
19	PH7791019	KNOB RETAINER
20	PH7791020	FLAT HD SCR M4-.7 X 10

REF	PART #	DESCRIPTION
21	PH7791021	ADJUSTING KNOB M6-1 X 20
22	PH7791022	BLOCK
23	PH7791023	TRIM GUIDE PLATE
24	PH7791024	SHOULDER SCREW M5-.8 X 11
25	PH7791025	BUSHING
26	PH7791026	BASE PLATE
27	PH7791027	TAP SCREW M4 X 10
28	PH7791028	COLLET NUT
29	PH7791029	COLLET
30	PH7791030	BALL BEARING 6200ZZ
31	PH7791031	SWITCH
32	PH7791032	PHLP HD SCR M4-.7 X 40
33	PH7791033	CLASPING KNOB
34	PH7791034	LIFT GEAR
35	PH7791035	GEAR GUIDING KNOB
36	PH7791036	STRAIGHT GUIDE
37	PH7791037	WRENCH 10MM
38	PH7791038	WRENCH 17MM
39	PH7791039	GUIDE ADJ BRACKET
40	PH7791040	TEMPLATE GUIDE