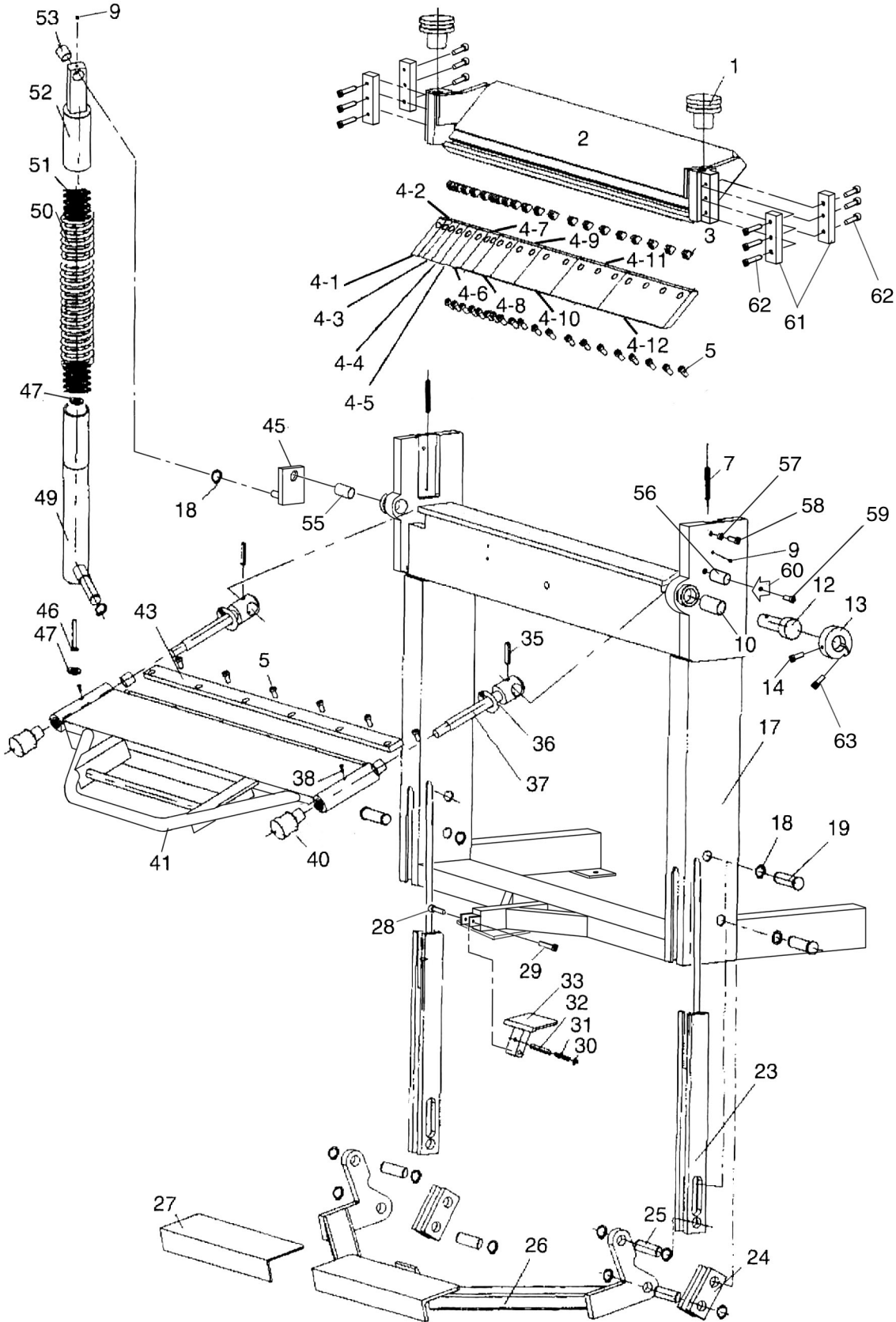


# SECTION 6: PARTS

## Parts Breakdown

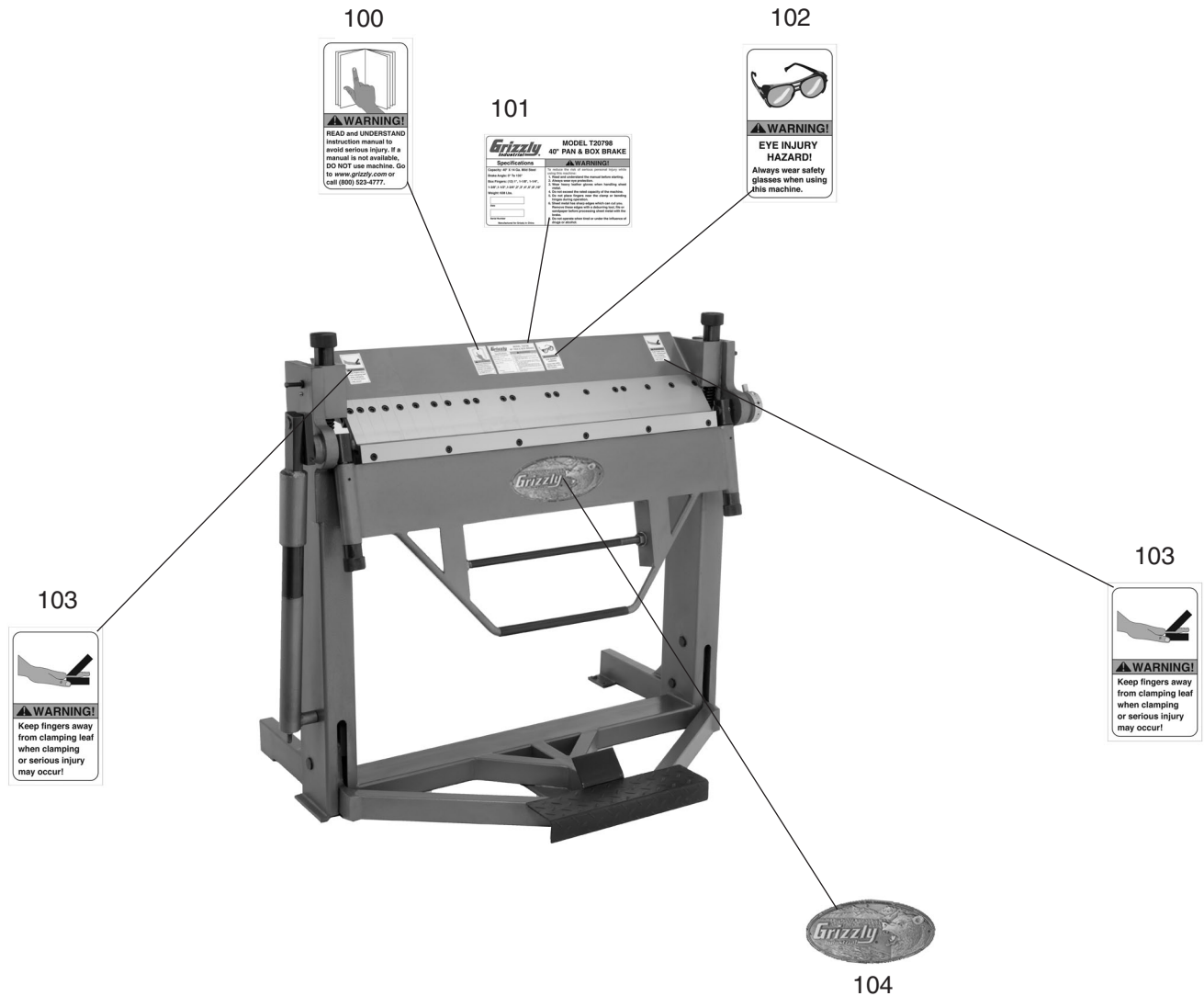


# Parts List

REF	PART #	DESCRIPTION
1	PT20798001	ADJUSTING NUT
2	PT20798002	CLAMPING LEAF
3	PT20798003	T-NUT M10-1.5
4-1	PT20798004-1	FINGER 1"
4-2	PT20798004-2	FINGER 1-1/8"
4-3	PT20798004-3	FINGER 1-1/4"
4-5	PT20798004-5	FINGER 1-1/2"
4-6	PT20798004-6	FINGER 1-3/4"
4-7	PT20798004-7	FINGER 2"
4-8	PT20798004-8	FINGER 3"
4-9	PT20798004-9	FINGER 4"
4-10	PT20798004-10	FINGER 5"
4-11	PT20798004-11	FINGER 8"
4-12	PT20798004-12	FINGER 10"
5	PSB130M	CAP SCREW M10-1.5 X 16
7	PT20798007	COMPRESSION SPRING
9	PT20798009	GREASE FITTING M10
10	PT20798010	BUSHING
12	PT20798012	FOLDING LEAF PIN
13	PT20798013	STOP DIAL
14	PSB129M	CAP SCREW M12-1.75 X 20
17	PT20798017	LEG
18	PR11M	EXT RETAINING RING 25MM
19	PT20798019	LEG PIN
23	PT20798023	ROD
24	PT20798024	FOOT PEDAL LEVER
25	PT20798025	LEVER PIN
26	PT20798026	FOOT PEDAL
27	PT20798027	TREAD PLATE RUBBER
28	PB02M	HEX BOLT M6-1 X 12

REF	PART #	DESCRIPTION
29	PT20798029	PIN
30	PW01M	FLAT WASHER 8MM
31	PT20798031	PEDAL LOCK SPRING
32	PRP79M	ROLL PIN 8 X 50
33	PT20798033	FOOT PEDAL LOCK
35	PRP33M	ROLL PIN 6 X 50
36	PT20798036	O-RING 33 X 25
37	PT20798037	SETBACK HANDLE
38	PB06M	HEX BOLT M8-1.25 X 12
39	PT20798039	SETBACK KNOB
40	PT20798040	ADJUSTING NUT
41	PT20798041	BENDING LEAF
43	PT20798043	BENDING LEAF BLADE
45	PT20798045	CRANK
46	PT20798046	HEX BOLT M12-1.75 X 190
47	PTLW12M	EXT TOOTH WASHER 12MM
49	PT20798049	BOTTOM TELESCOPING STRUT
50	PT20798050	EXTENSION SPRING
51	PT20798051	SPIRAL BLOCK
52	PT20798052	TOP TELESCOPING STRUT
53	PT20798053	BUSHING
55	PT20798055	PIN
56	PB33M	HEX BOLT M12-1.75 X 50
57	PN02M	HEX NUT M10-1.5
58	PT20798058	SPECIAL BOLT M10-1.5 X 50
59	PSB17M	CAP SCREW M4-.7 X 10
60	PT20798060	POINTER
61	PT20798061	BOSS
62	PT20798062	SPECIAL CAP SCREW M6-1 X 16
63	PB31M	HEX BOLT M10-1.5 X 40

# Labels Breakdown and List



REF	PART #	DESCRIPTION
100	PLABEL-12A	READ MANUAL LABEL
101	PT20798101	DATA LABEL
102	PLABEL-11A	SAFETY GLASSES LABEL

REF	PART #	DESCRIPTION
103	PT20798103	AMPUTATION LABEL
104	G0588	GRIZZLY LOGO PLATE

## WARNING

Safety labels warn about machine hazards and ways to prevent injury. The owner of this machine **MUST** maintain the original location and readability of the labels on the machine. If any label is removed or becomes unreadable, **REPLACE** that label before using the machine again. Contact Grizzly at (800) 523-4777 or [www.grizzly.com](http://www.grizzly.com) to order new labels.