



CORPORATE HEADQUARTERS

P.O. BOX 2069. BELLINGHAM, WA U.S.A.

TELEPHONE: (360) 647-0801 • FAX: (360) 676-1075

Introducing the Grizzly Model G0501 14" Sliding Table Saw



MACHINE HIGHLIGHTS

- 10 HP, 220V/440V, 3-phase main motor.
- 1 HP, 220V/440V, 3-phase scoring motor.
- Able to cut sheets up to 118" wide x 126" long.
- Digital readout display for blade speed and blade tilt.
- Powered controls for blade height, blade tilt, and scoring blade adjustment.
- Over/under dust control, includes 3" and 5" dust ports.
- Weighs over 2,300 lbs!

The Model G0501 Sliding Table Saw is available for \$11,500.00 and is covered by a one-year warranty. For more information call 1-800-523-4777 or visit www.grizzly.com.



MACHINE DATA SHEET

Customer Service #: (570) 546-9663 · To Order Call: (800) 523-4777 · Fax #: (800) 438-5901

MODEL G0501 14" SLIDING TABLE SAW

Product Dimensions:

Weight..... 2486 lbs.
 Length/Width/Height..... 132 x 130 x 55 in.
 Foot Print (Length/Width)..... 64-1/2 x 39 in.

Shipping Dimensions:

Carton #1

Type..... Wood Crate
 Content..... Machine
 Weight..... 2310 lbs.
 Length/Width/Height..... 52 x 90 x 41 in.

Carton #2

Type..... Wood Crate
 Content..... Table
 Weight..... 484 lbs.
 Length/Width/Height..... 19 x 132 x 15 in.

Electrical:

Power Requirement..... 220V or 440V, 3-Phas
 Switch..... Magnetic with Thermal Overload Protector
 Switch Voltage..... 220V
 Minimum Circuit Size..... 40A at 220V, 20A at 440V
 Plug Included..... No
 Recommended Plug/Outlet Type..... Hardwire to Locking Disconnect Switch
 Conversion To 440V..... Requires Part# G440VG0501
 Phase Converter..... G7979

Motors:

Scoring

Type..... TEFC Induction
 Horsepower..... 1 HP
 Voltage..... 220/440V
 Prewired..... 220V
 Phase..... 3-Phase
 Amps..... 3A at 220V, 1.5A at
 Speed..... 3450 RPM
 Cycle..... 60 Hz
 Number Of Speeds..... 1
 Power Transfer Flat Belt Drive
 Bearings..... Shielded and Lubricated

Main

| | |
|-----------------------|-------------------------|
| Type..... | TEFC Induction |
| Horsepower..... | 10 HP |
| Voltage..... | 220/440V |
| Prewired..... | 220V |
| Phase..... | 3-Phase |
| Amps..... | 25A at 220V, 12.5A a |
| Speed..... | 3450 RPM |
| Cycle..... | 60 Hz |
| Number Of Speeds..... | 1 |
| Power Transfer | Belt Drive |
| Bearings..... | Shielded and Lubricated |

Main Specifications:

Operation Information

| | |
|-------------------------------|----------------------------|
| Main Blade Size..... | 14 in. |
| Main Arbor Size..... | 1 in. |
| Scoring Blade Size..... | 4-3/4 in. |
| Scoring Blade Arbor Size..... | 22 mm |
| Main Blade Tilt..... | 0 - 45 deg. |
| Main Blade Speed..... | 3000, 4000, 5000, 6000 RPM |
| Scoring Blade Tilt..... | 0 - 45 deg. |
| Scoring Blade Speed..... | 8000 RPM |

Cutting Capacities

| | |
|--|------------|
| Max Depth Of Cut At 90D..... | 4 in. |
| Max Depth Of Cut At 45D..... | 2-3/4 in. |
| Max Dist From Blade To Column..... | 52-3/4 in. |
| Table With Rip Fence Max Cut Width..... | 52-1/2 in. |
| Sliding Table With Cross Fence Max Cut Width..... | 126 in. |
| Sliding Table With Cross Fence Max Cut Length..... | 126 in. |
| Miter Fence Cut Width At 45D..... | 86 in. |

Table Information

| | |
|--|-------------|
| Floor To Table Height..... | 35 in. |
| Table Size Length..... | 39-1/4 in. |
| Table Size Width..... | 34-1/2 in. |
| Table Size Thickness..... | 3 in. |
| Table Size With Ext Wings Length..... | 60 in. |
| Table Size With Ext Wings Width..... | 55 in. |
| Table Size With Ext Wings Thickness..... | 3 in. |
| Sliding Table Length..... | 126 in. |
| Sliding Table Width..... | 15 in. |
| Sliding Table Thickness..... | 3 in. |
| Sliding Table T Slot Top Width..... | 7/8 in. |
| Sliding Table T Slot Height..... | 3/4 in. |
| Sliding Table T Slot Bottom Width..... | 1-13/32 in. |

Fence Information

| | |
|------------------------|---|
| Fence Type..... | Single Lever Locking, Extruded Aluminum Sides |
| Fence Size Length..... | 70 in. |
| Fence Size Width..... | 3-1/2 in. |
| Fence Size Height..... | 2-3/4 in. |
| Fence Stops..... | 2 |

Construction Materials

| | |
|----------------------------------|------------------------------|
| Table Construction..... | Aluminum |
| Sliding Table Construction..... | Aluminum |
| Base Construction..... | Steel |
| Body Assembly Construction..... | Steel |
| Cabinet Construction..... | Steel |
| Trunnions Construction..... | Cast Iron |
| Fence Assembly Construction..... | Extruded Aluminum |
| Rails Construction..... | Chromed Steel |
| Guard Construction..... | Plastic |
| Spindle Bearing Type..... | Radial Ball Bearing 6207-2RS |
| Paint..... | Epoxy |

Other Related Information

| | |
|-----------------------|----------|
| No Of Dust Ports..... | 2 |
| Dust Port Size..... | 3, 5 in. |

Other Specifications:

| | |
|------------------------------|--------------------------------------|
| Country Of Origin | Taiwan |
| Warranty | 1 Year |
| Serial Number Location | Right Side of Electrical Control Box |
| Assembly Time | 4 - 5 hours |

Features:

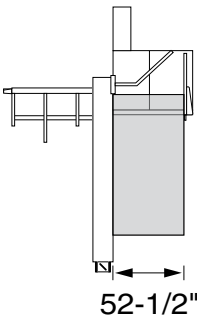
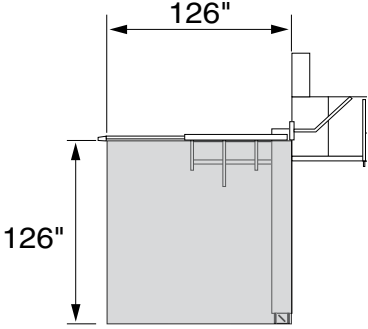
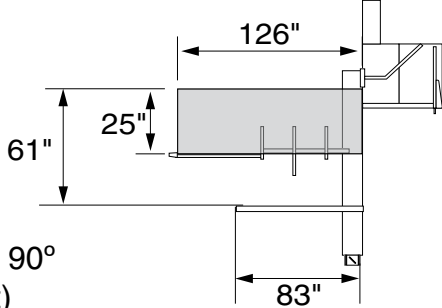
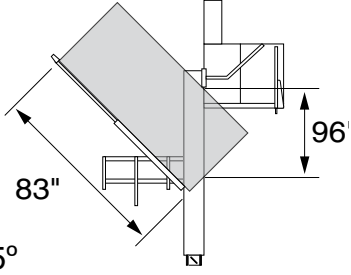
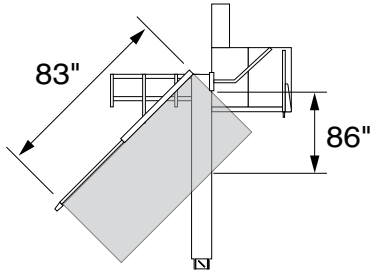
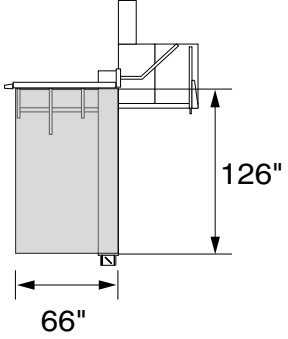
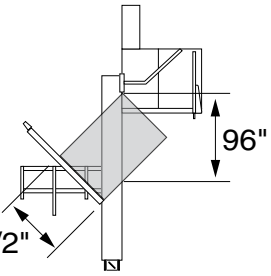
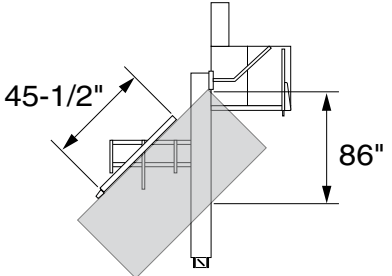
- 12" and 14" Riving Knives Included
- Cross Slide Table with Eccentric Locking Clamp and Hard Chrome Plated Slide-Way
- Easily Adjustable Saw Guard with Built-In Dust Hood
- Miter Fence, Adjustable From 30 deg. to 135 deg. with Accurate Degree Scale
- Push Button Digital Control of Blade Speed, Height Adjustments, Blade Tilt and Scoring Blade Alignment
- Scoring Blade Virtually Eliminates Tear Out
- Sliding Table on Vertical Guide System with Precision Bearing Rollers



SLIDING TABLE SAW CAPACITIES

Customer Service #: (570) 546-9663 • To Order Call: (800) 523-4777 • Fax #: (800) 438-5901

MODEL G0501 14" SLIDING TABLE SAW

| | |
|---|---|
| <p>Ripping Width</p>  <p>52-1/2"</p> | <p>Cross Cut</p>  <p>126"</p> |
| <p>Miter Cut 90° (push cut)</p>  <p>126"</p> <p>61"</p> <p>25"</p> <p>83"</p> | <p>Miter Cut 45° (push cut)</p>  <p>83"</p> <p>96"</p> |
| <p>Miter Cut 45°</p>  <p>83"</p> <p>86"</p> | <p>Cross Cut (fence not extended)</p>  <p>126"</p> <p>66"</p> |
| <p>Miter Cut 45° (push cut, fence not extended)</p>  <p>96"</p> <p>45-1/2"</p> | <p>Miter Cut 45° (fence not extended)</p>  <p>86"</p> <p>45-1/2"</p> |